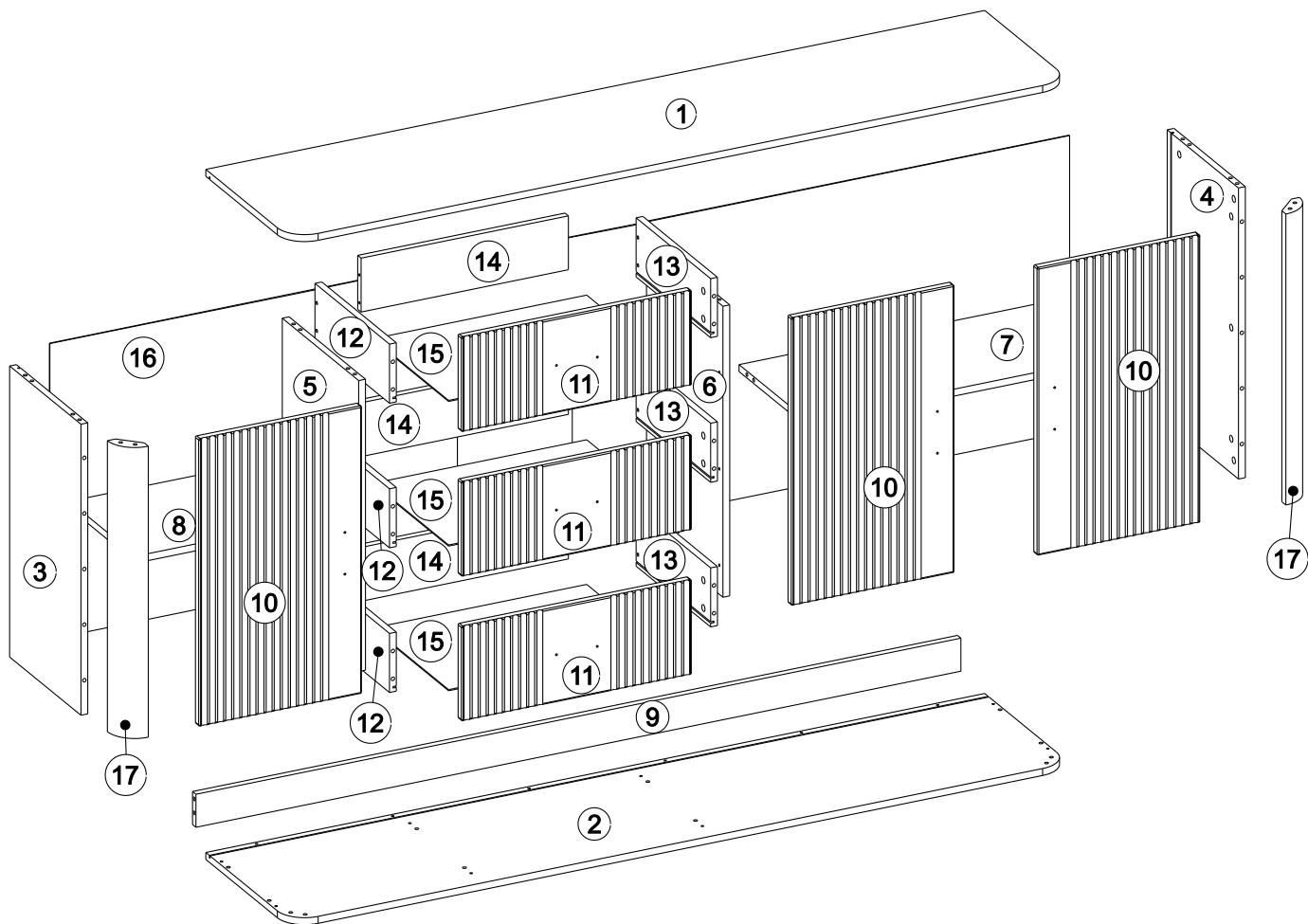
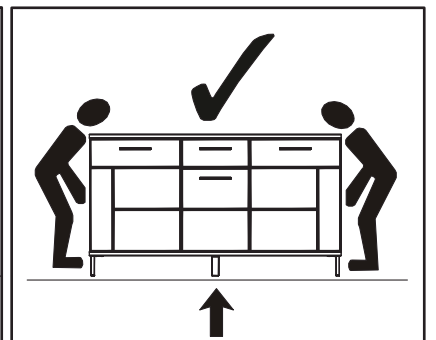
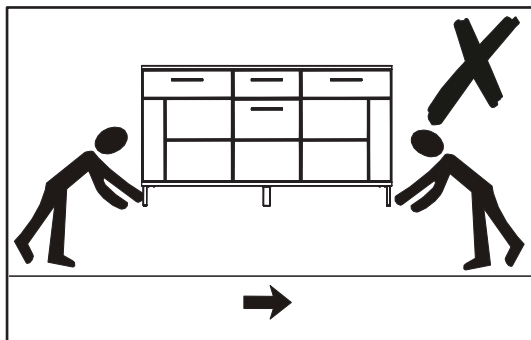
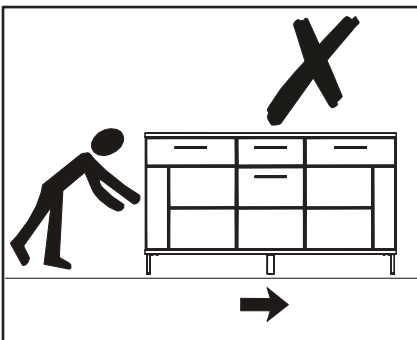
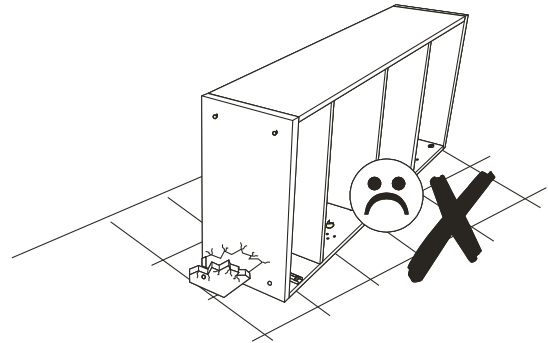
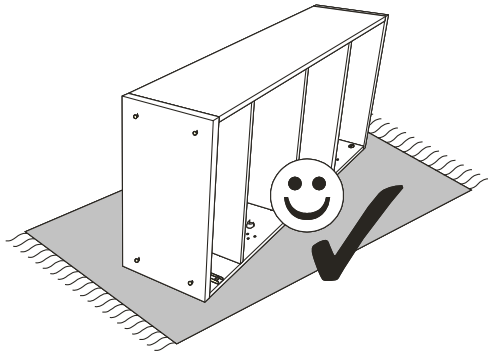
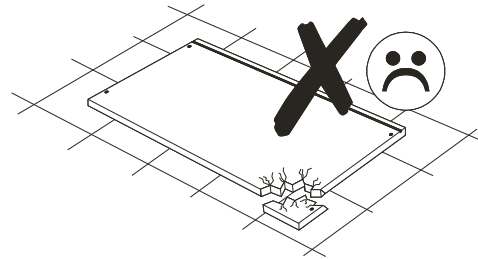
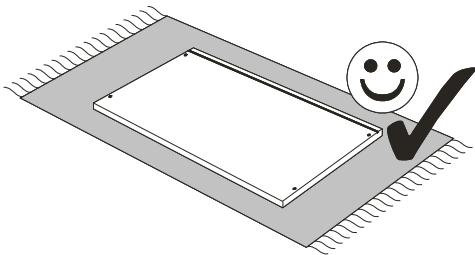
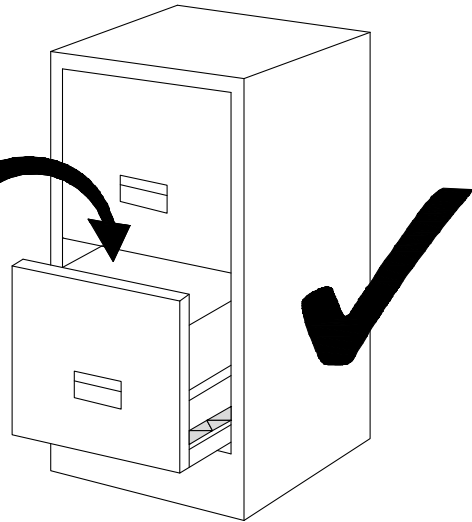
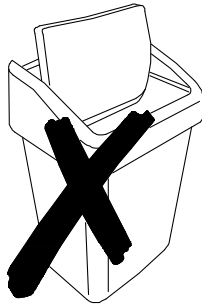
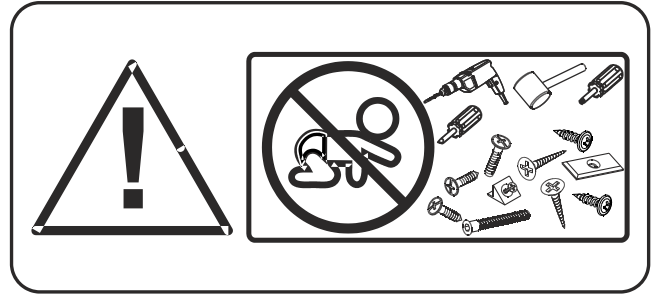
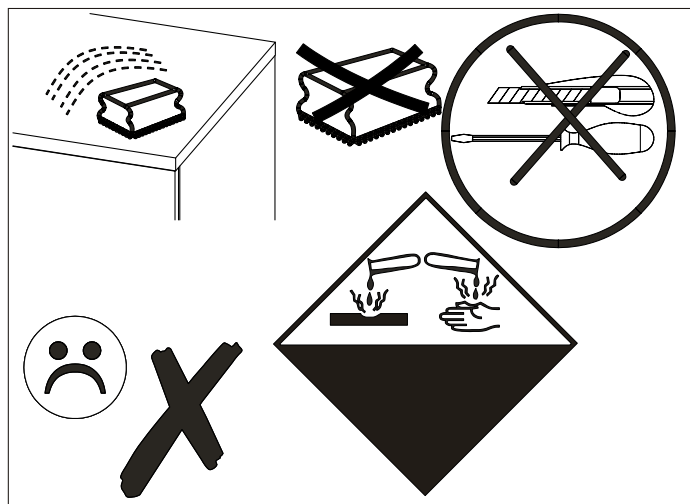
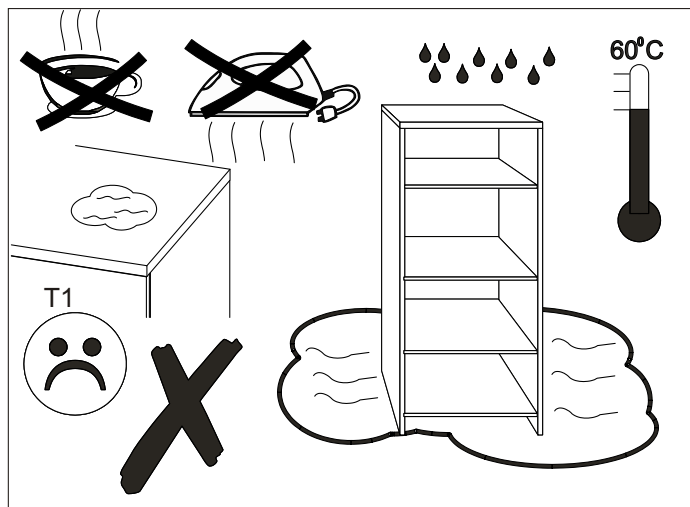
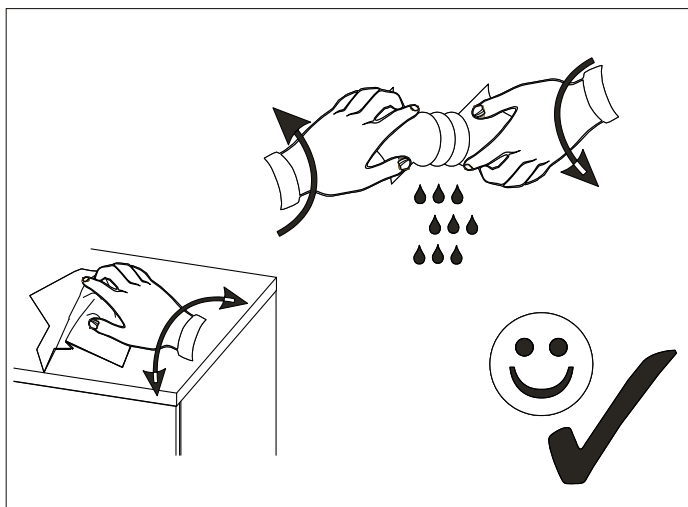
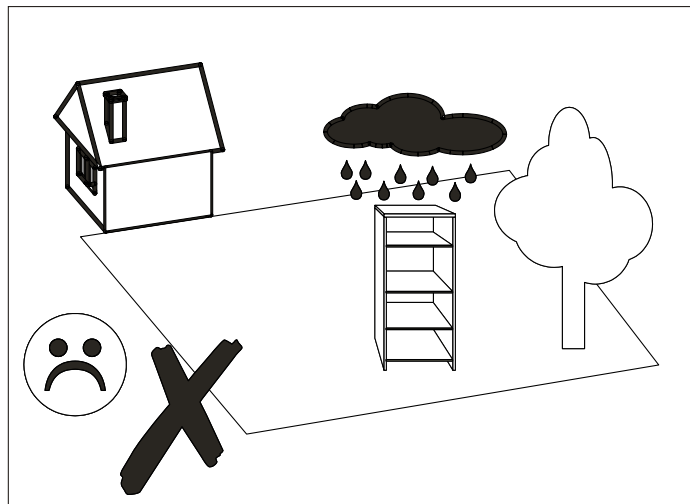
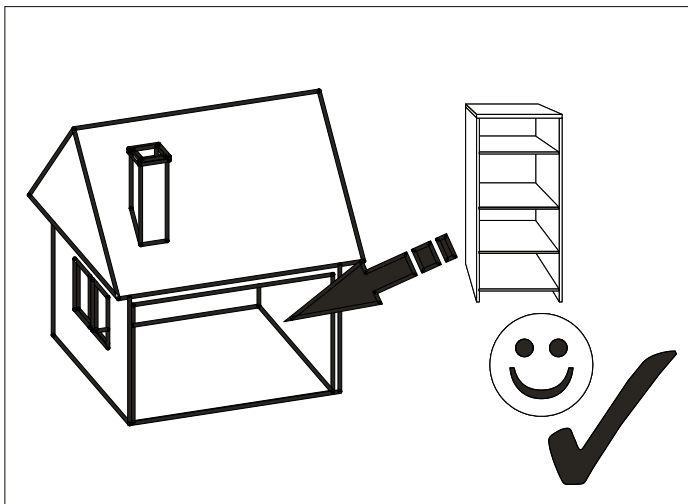


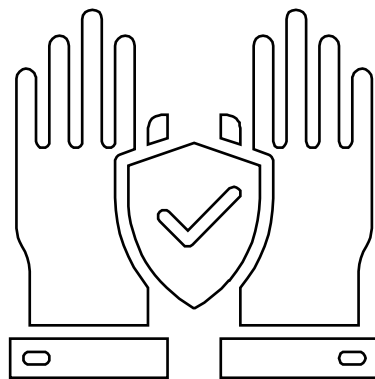
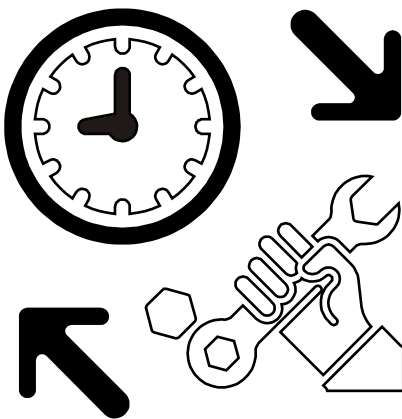
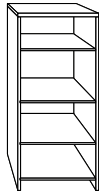
4x ZC45	13x 3.5x13 W3	4x B1	2x ZC8	1x H2				
26x #20/863 ZN1	1x N2	9x ST1	3x #350L PK3	3x #350P PK3	9x 3x20 W9	4x N1	6x 3x16 W6	12x M4x24 S4
12x 6.4x50 K5	32x 8x30 K1	6x U1	1x K20	47x #15/15 M1	47x DU232T T1	20x 4.5x16 W7	29x 2x20 G1	12x 6x12 E1



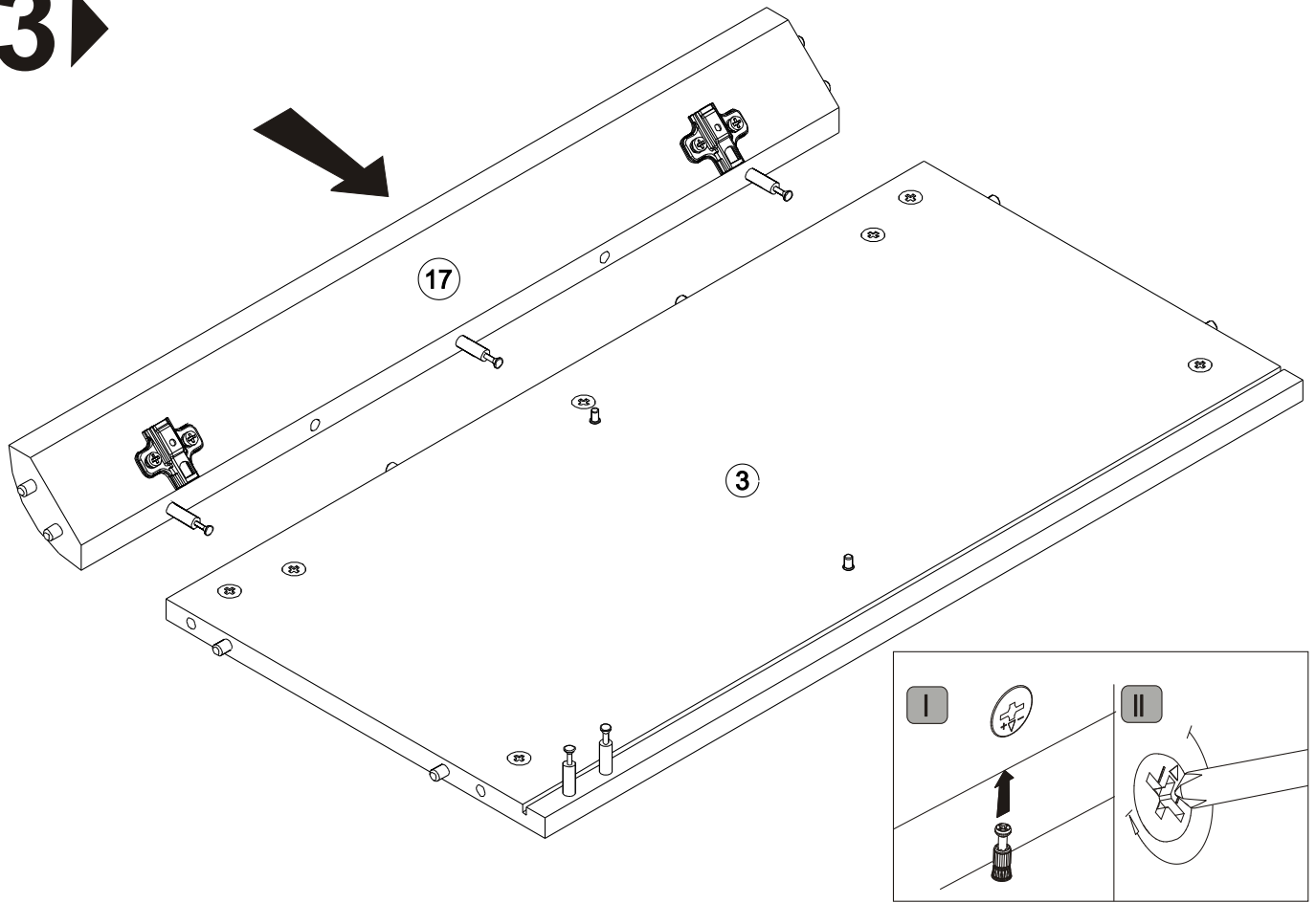
10	662x382	3/5			
9	1797x76	1/5			
8	425x312	2/5			
7	811.5x312	2/5	17	670x90.5	2/5
6	670x359	2/5	16	1808x440	1/5
5	670x359	2/5	15	355x502	1/5
4	670x335.5	2/5	14	487x124	1/5
3	670x335.5	2/5	13	350x136	1/5
2	1830x400	1/5	12	350x136	1/5
1	1830x400	1/5	11	540x218	3/5



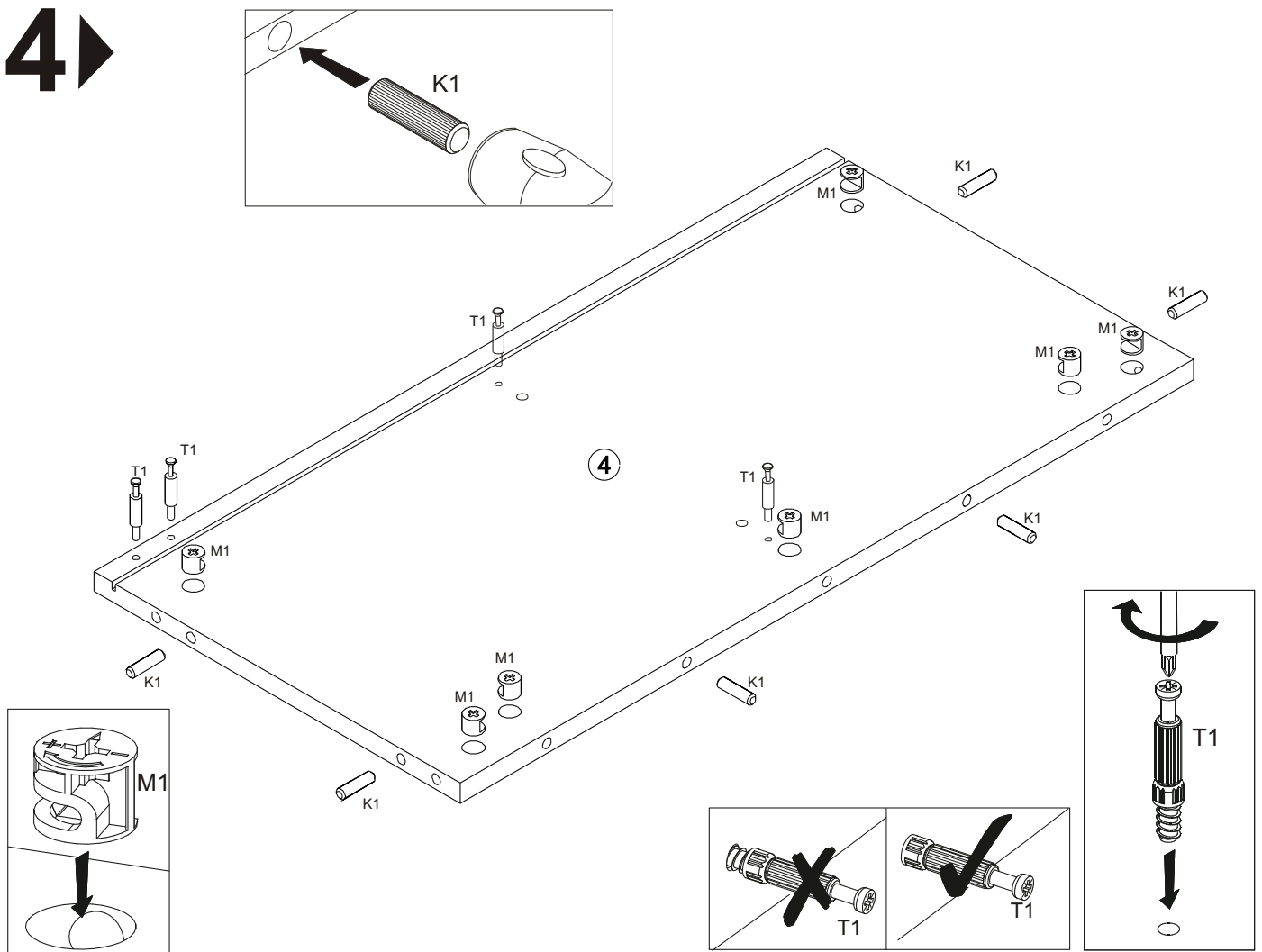




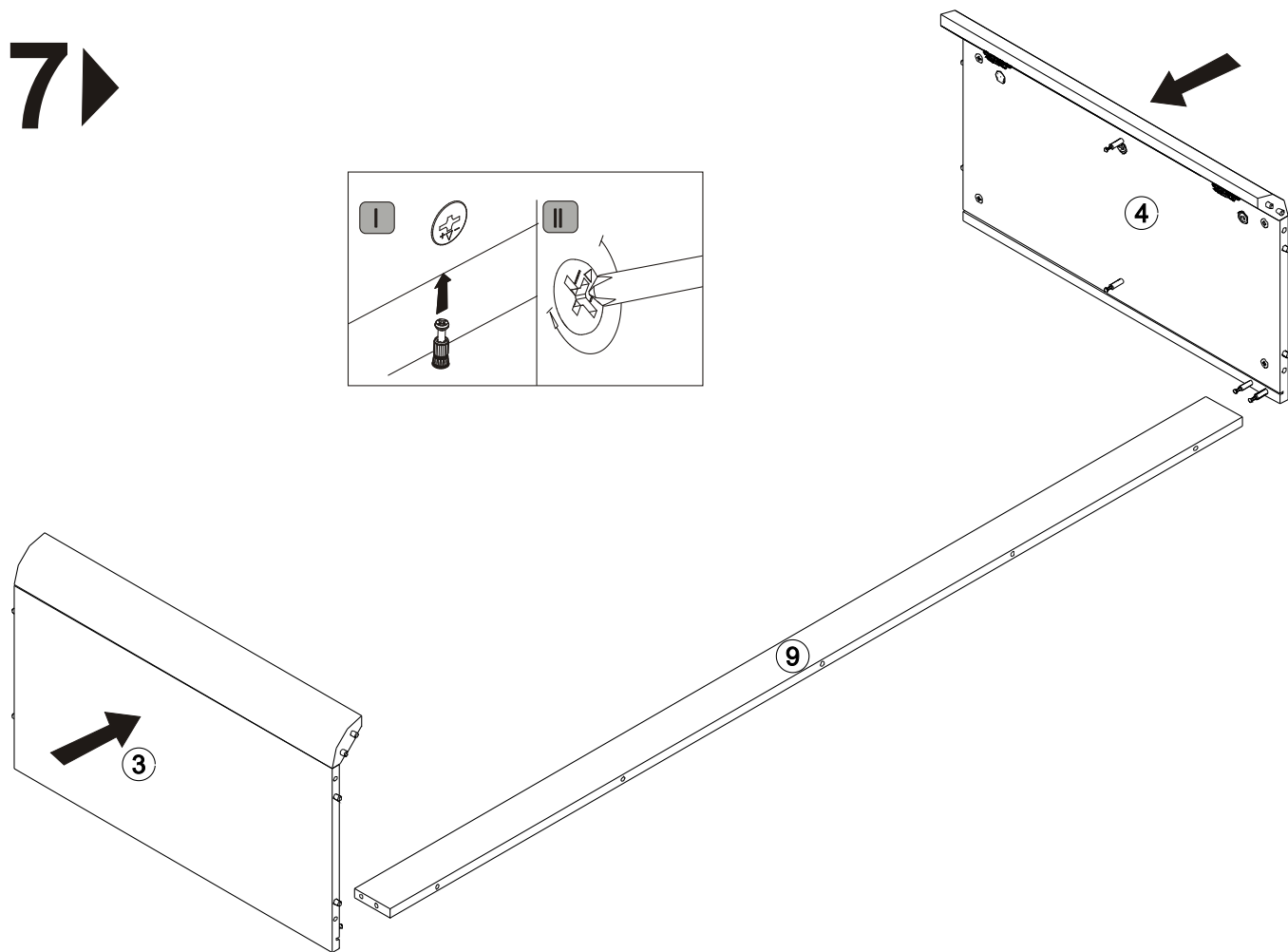
3 ▶



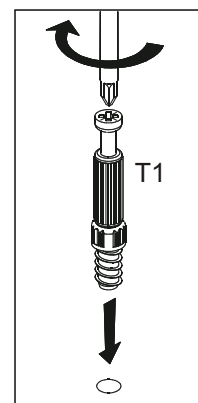
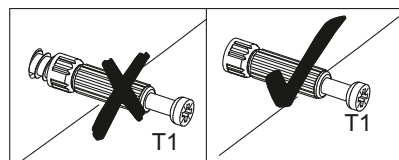
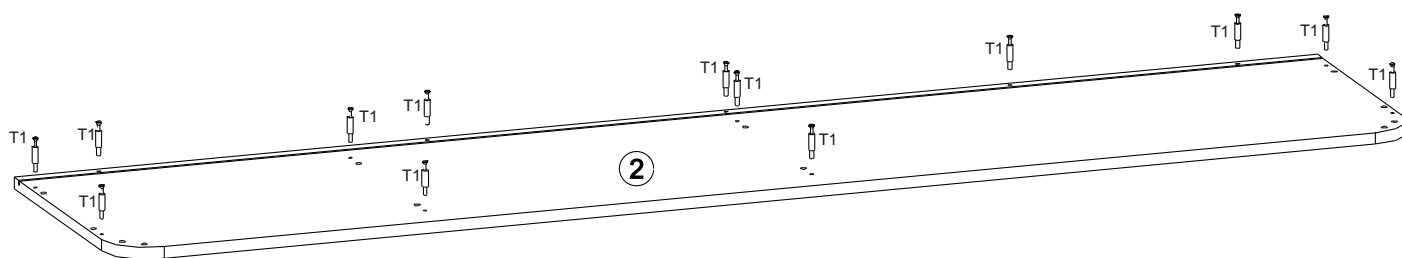
4 ▶



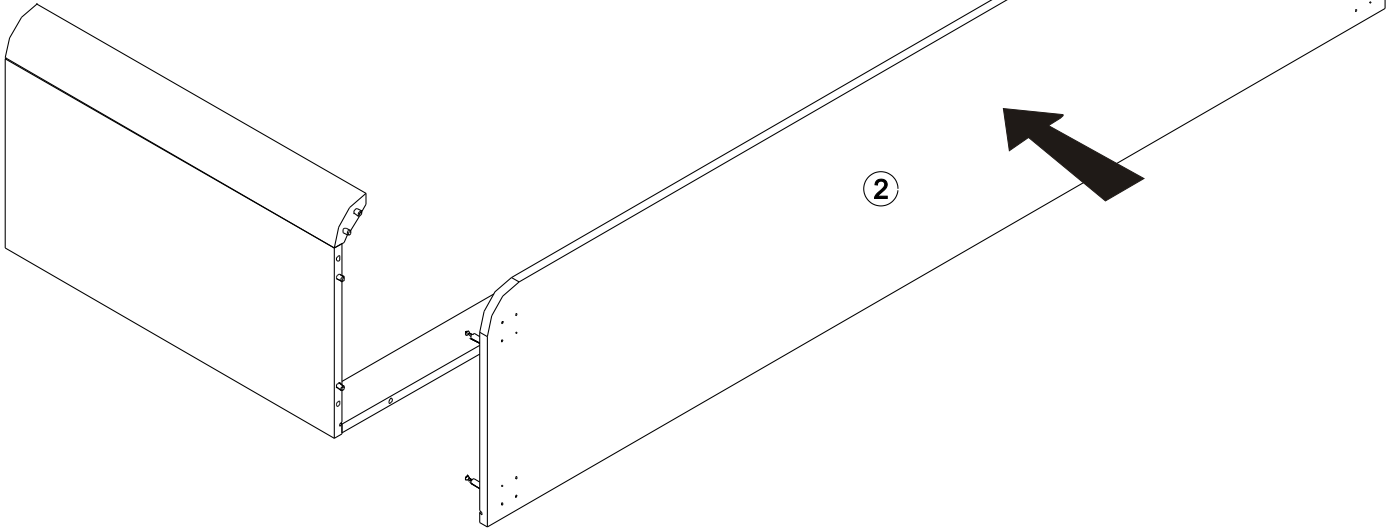
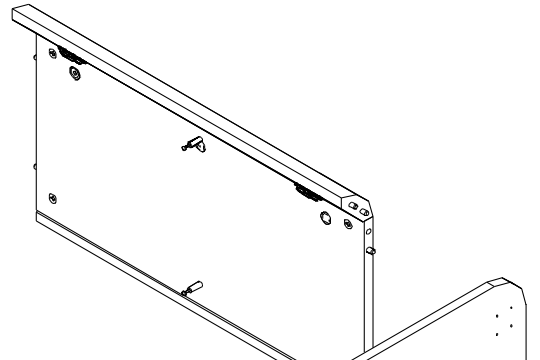
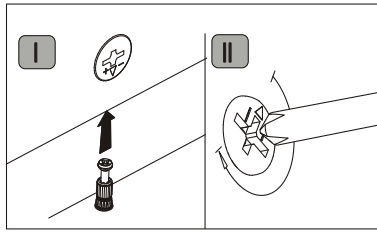
7



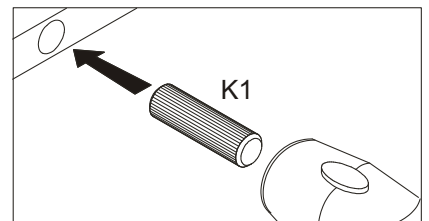
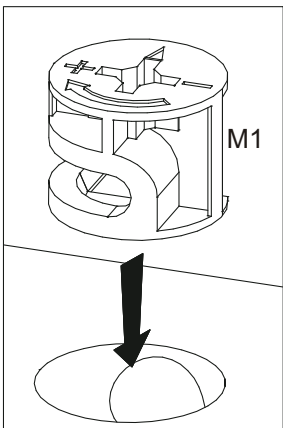
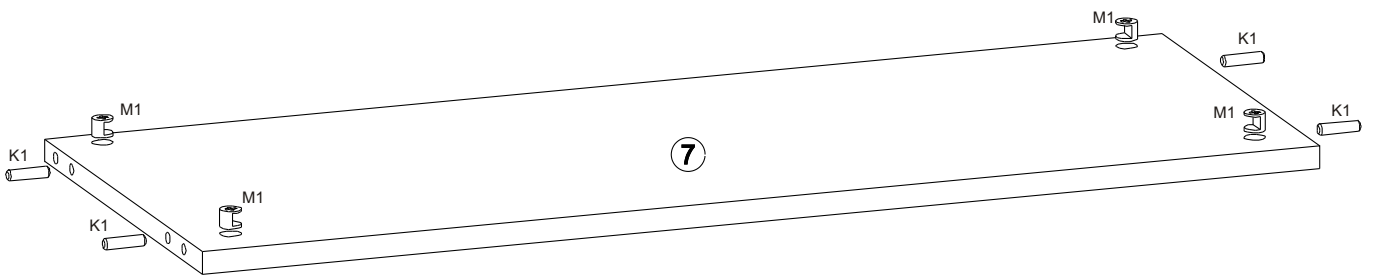
8



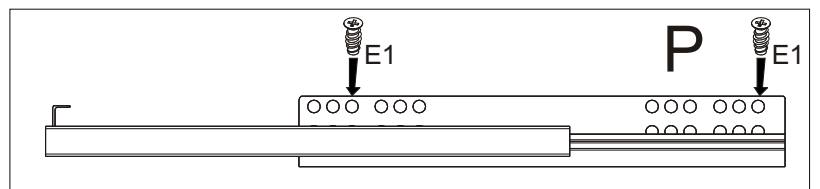
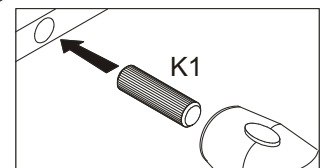
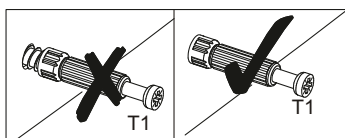
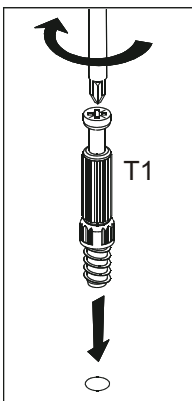
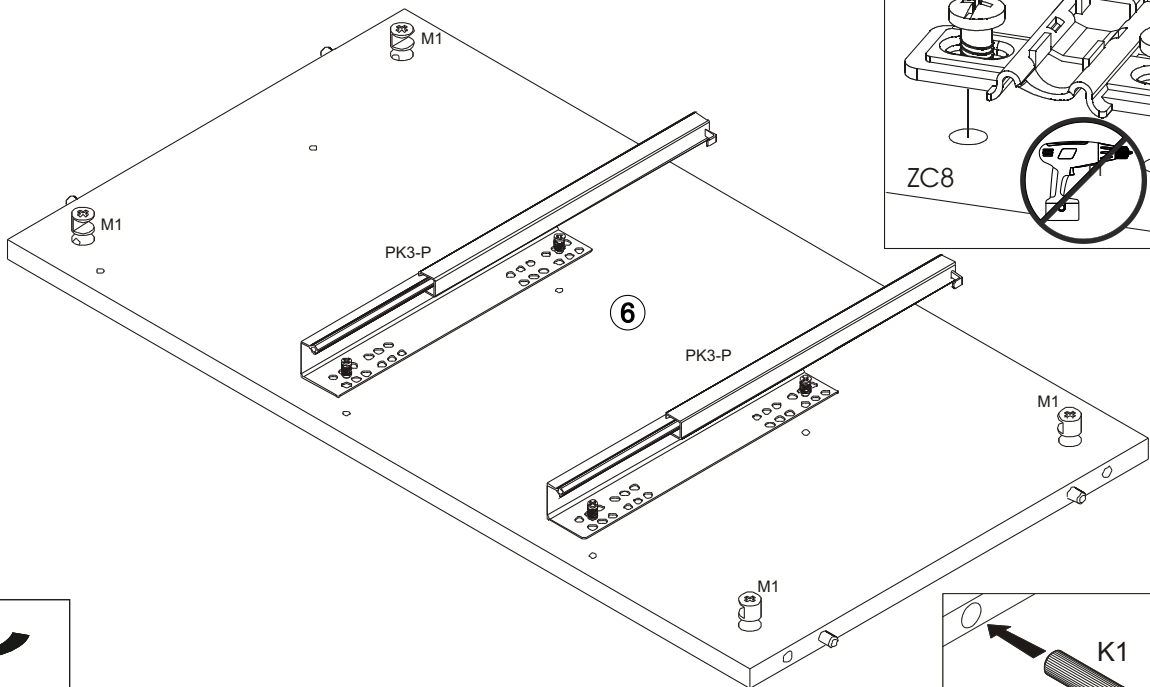
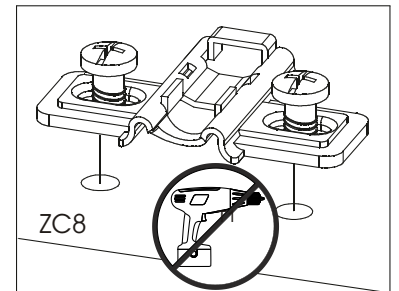
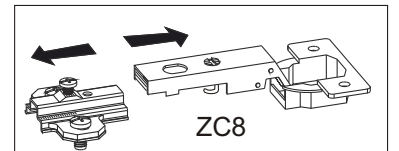
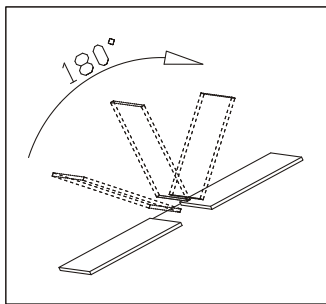
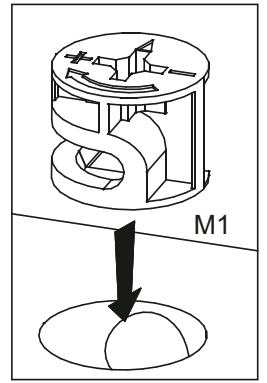
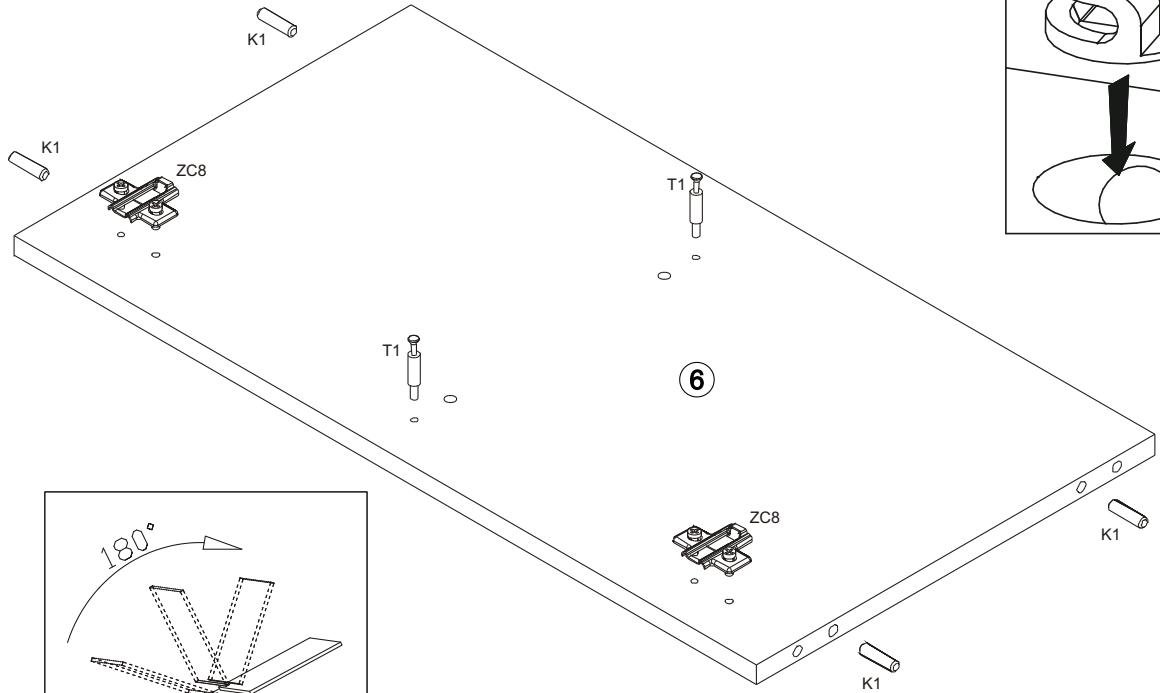
9 ▶



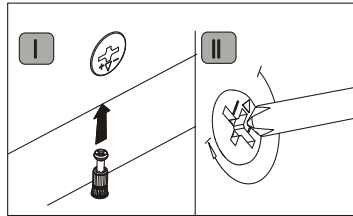
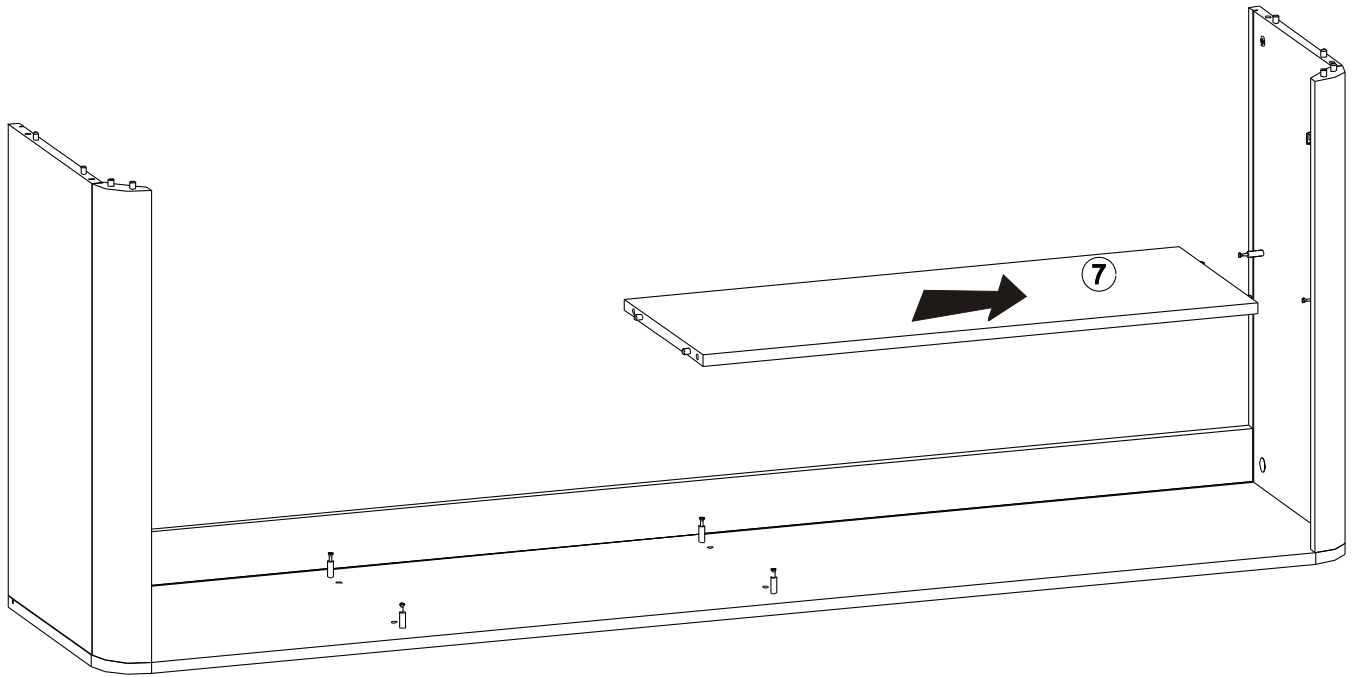
10 ▶



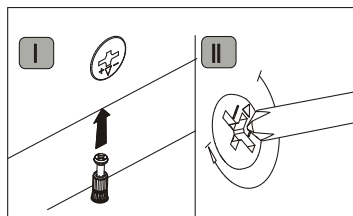
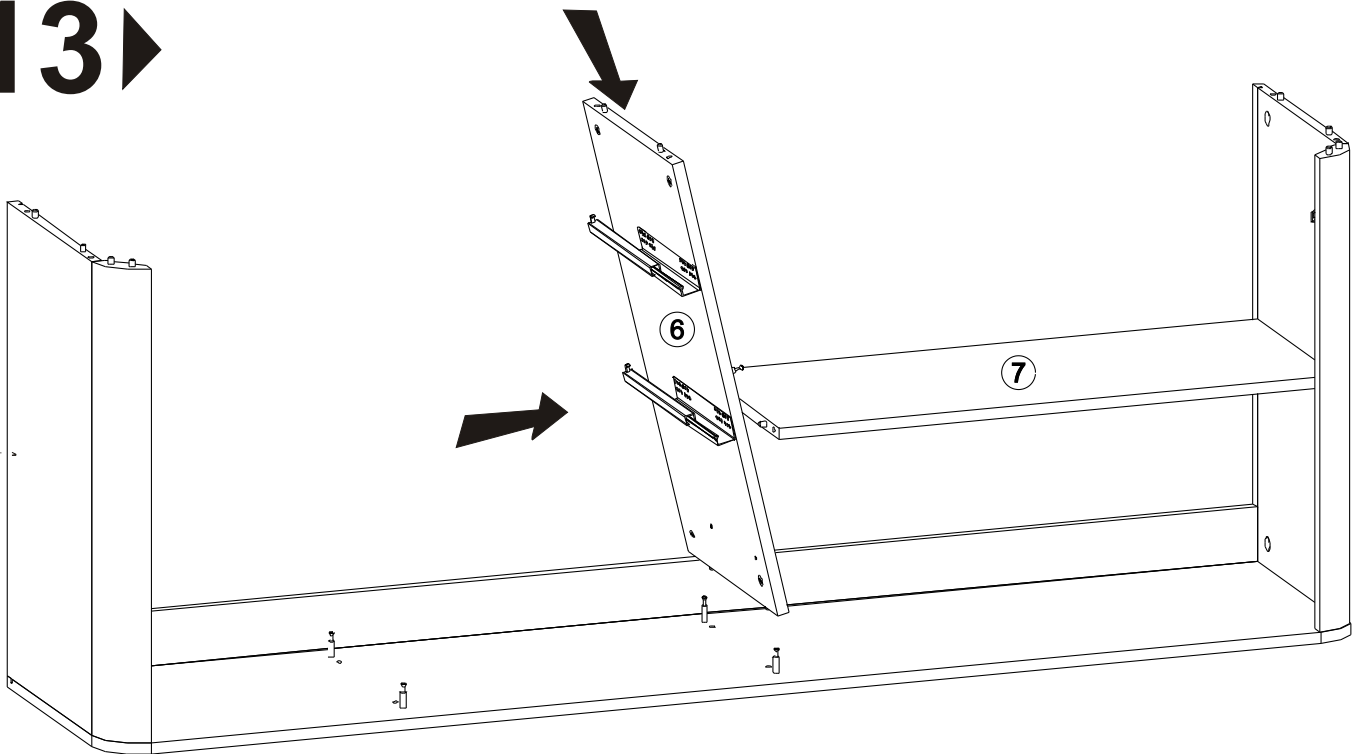
11 ▶



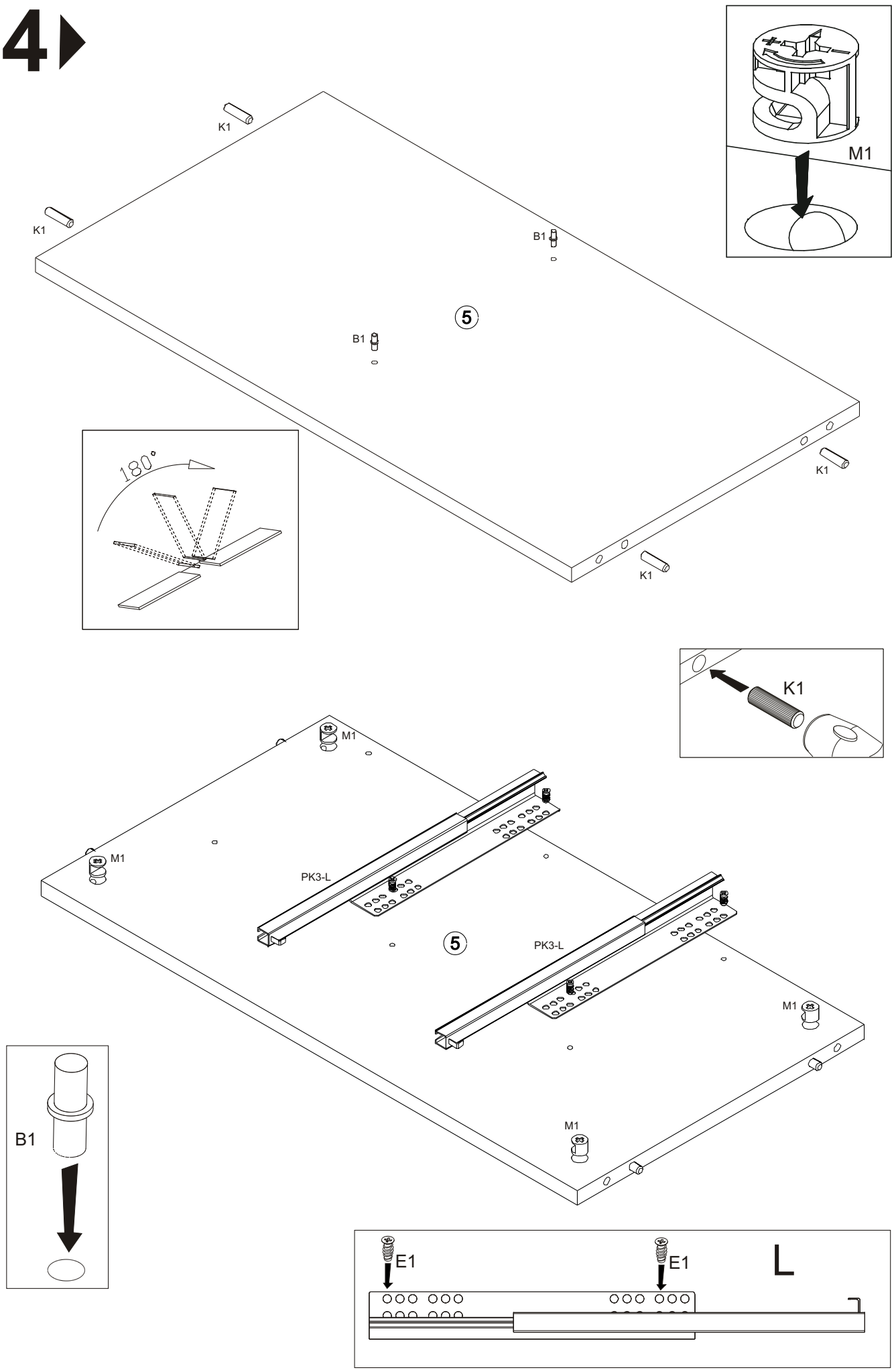
12 ▶



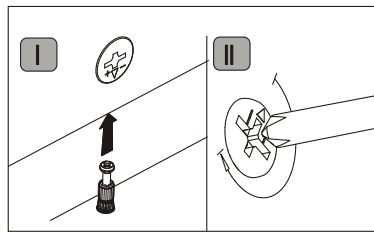
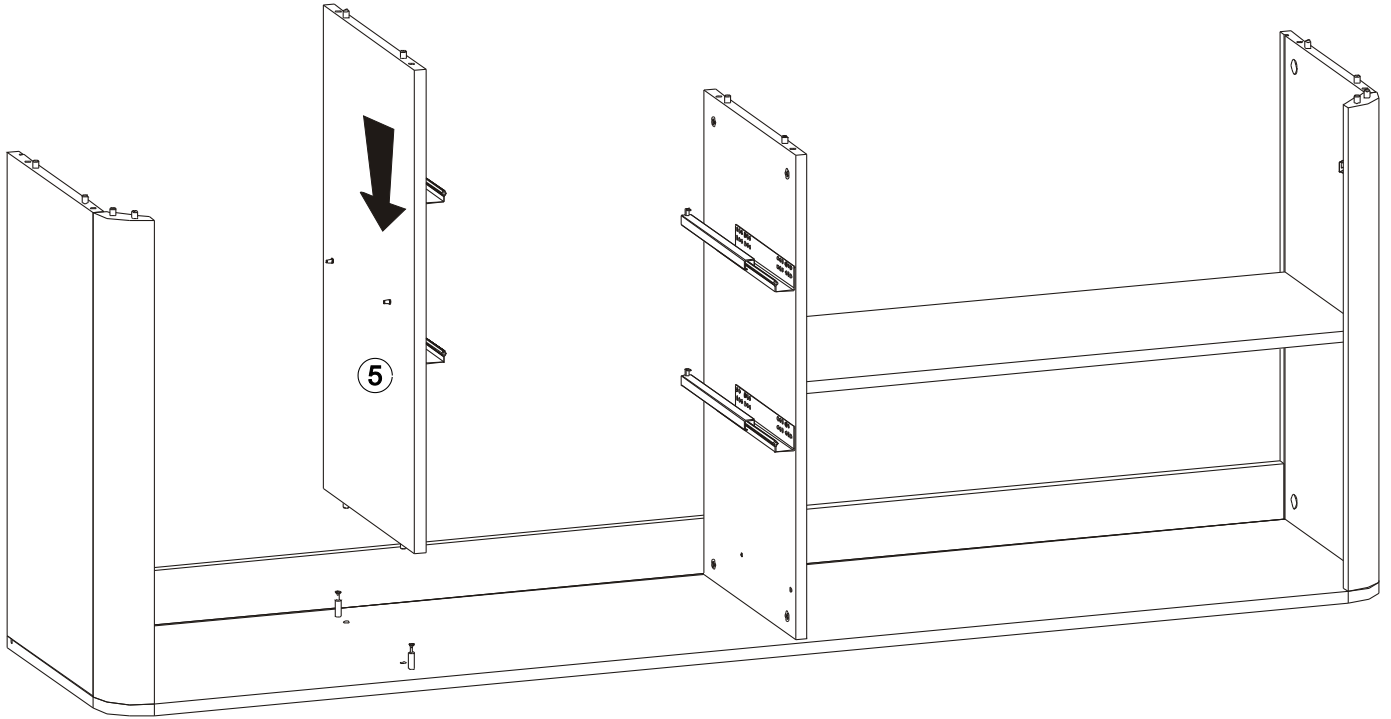
13 ▶



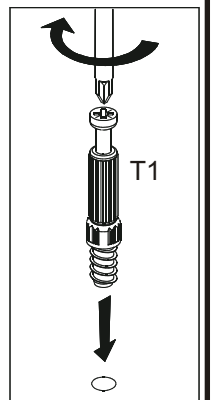
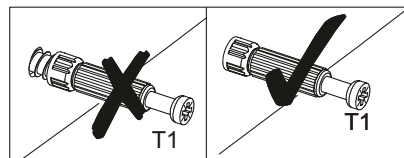
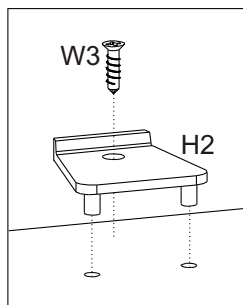
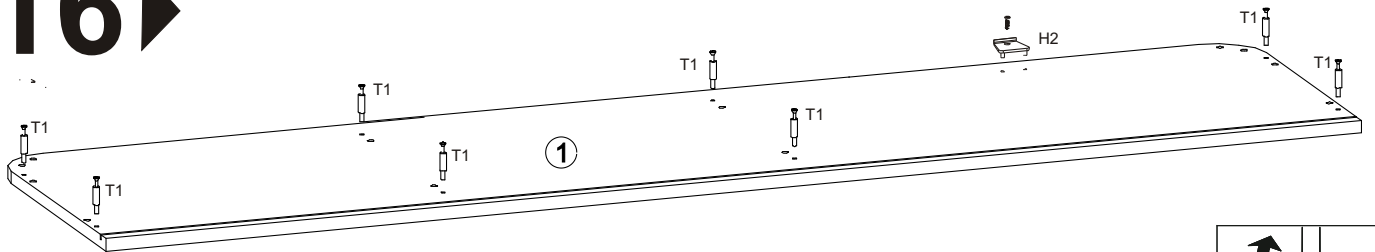
14 ▶



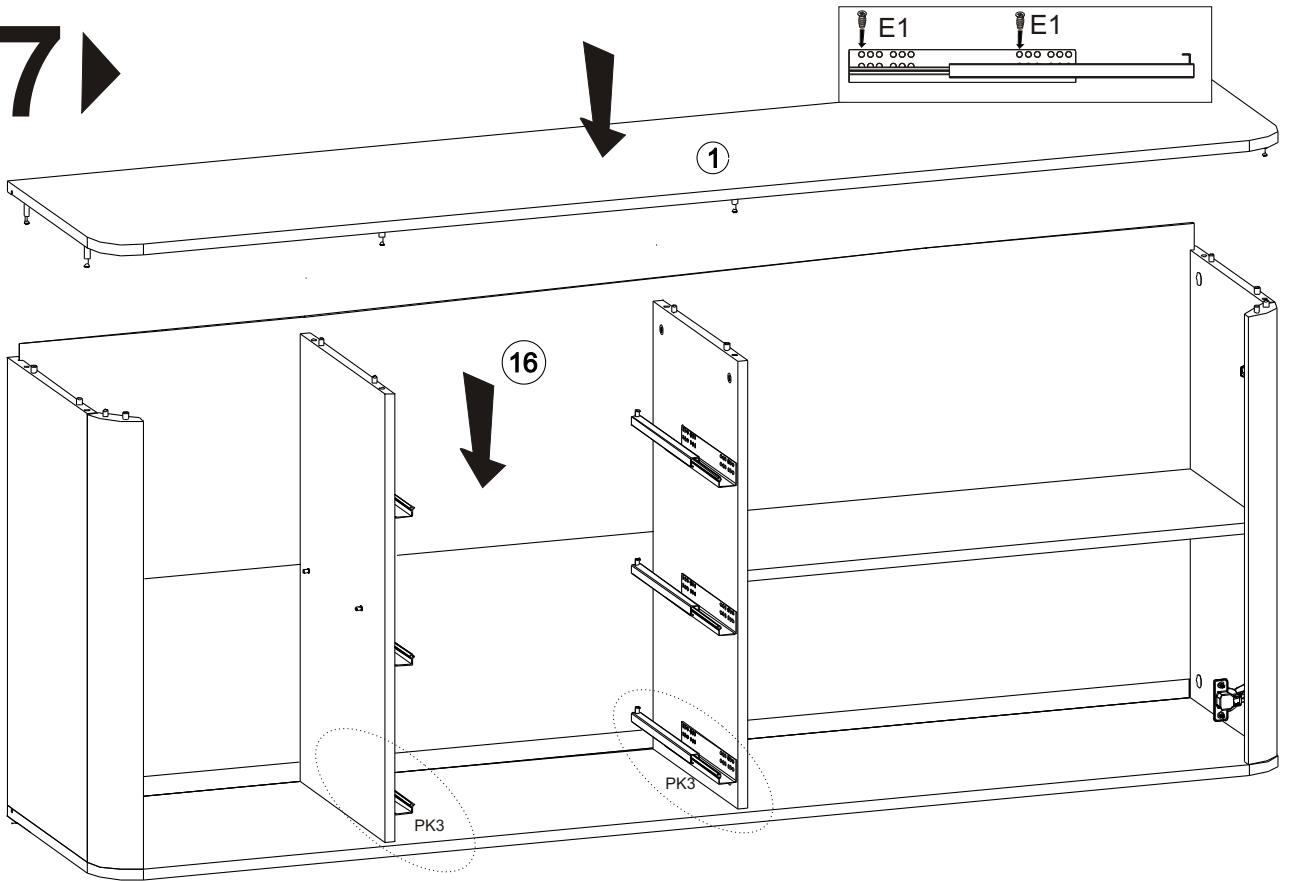
15 ▶



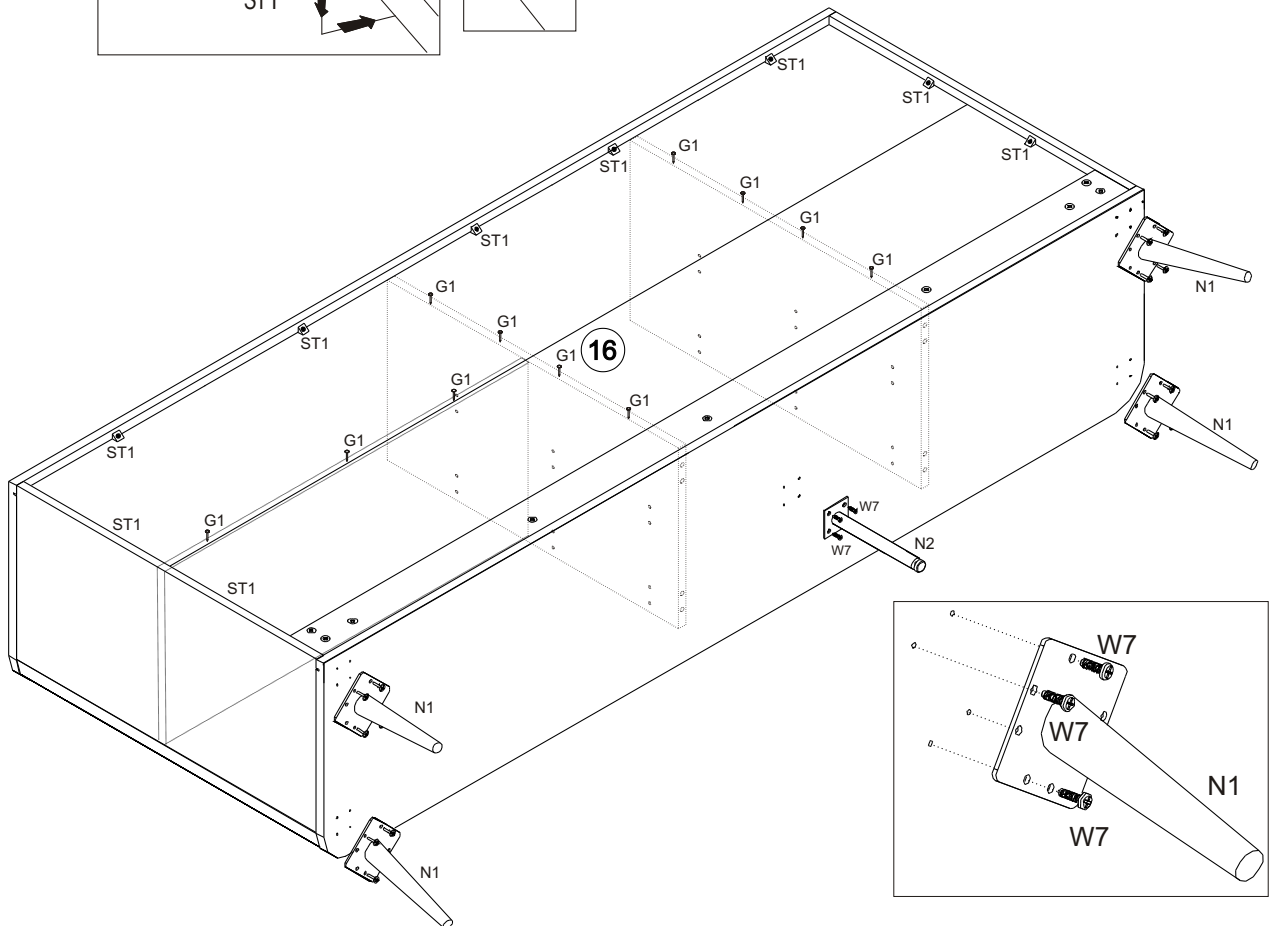
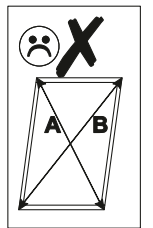
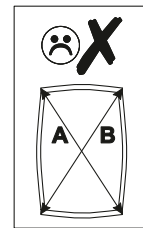
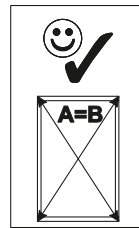
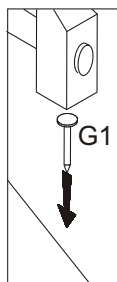
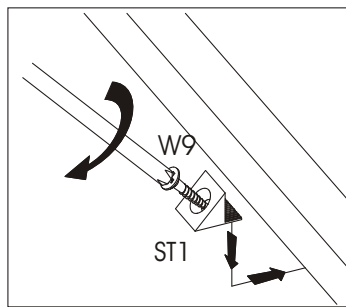
16 ▶



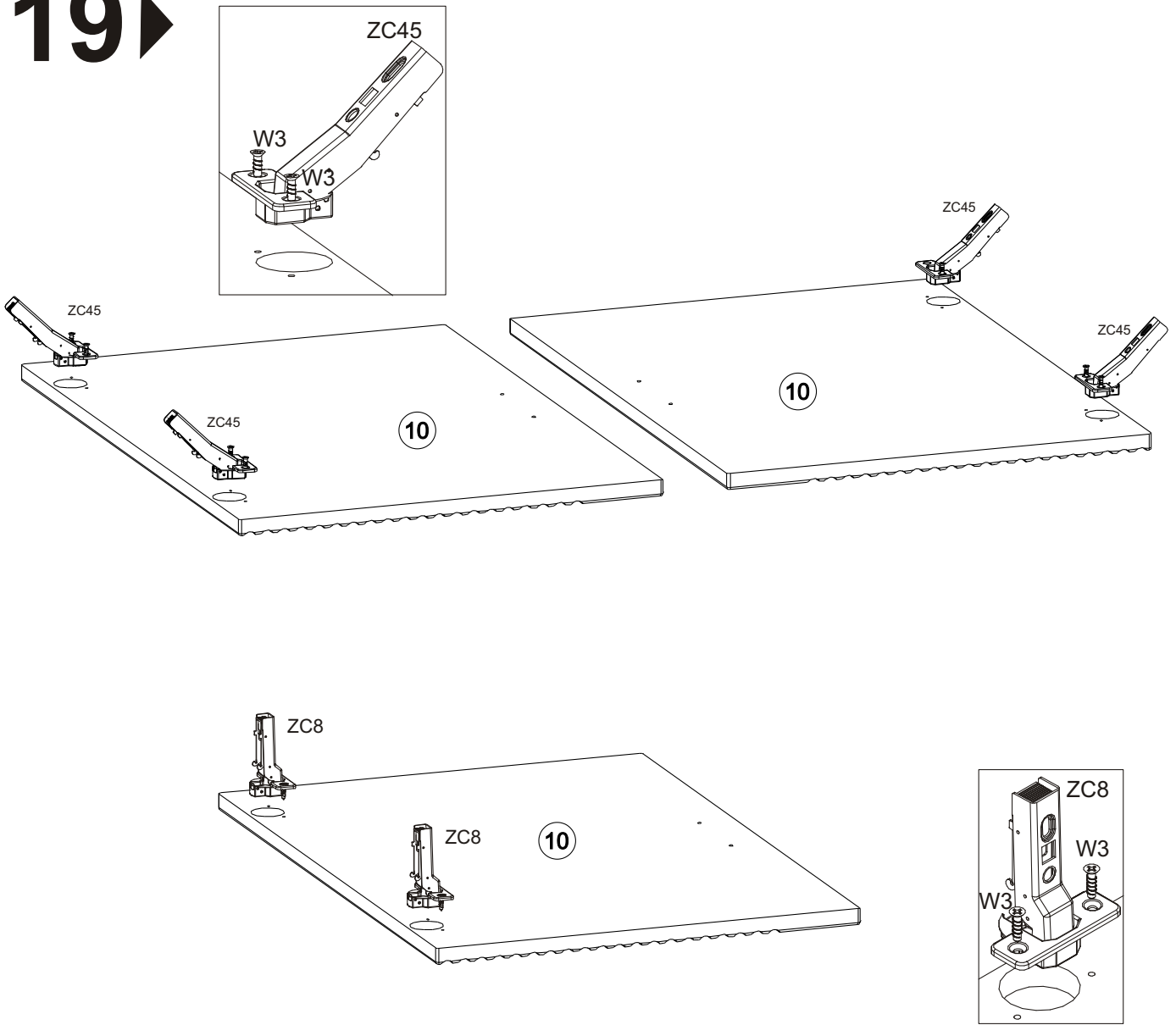
17



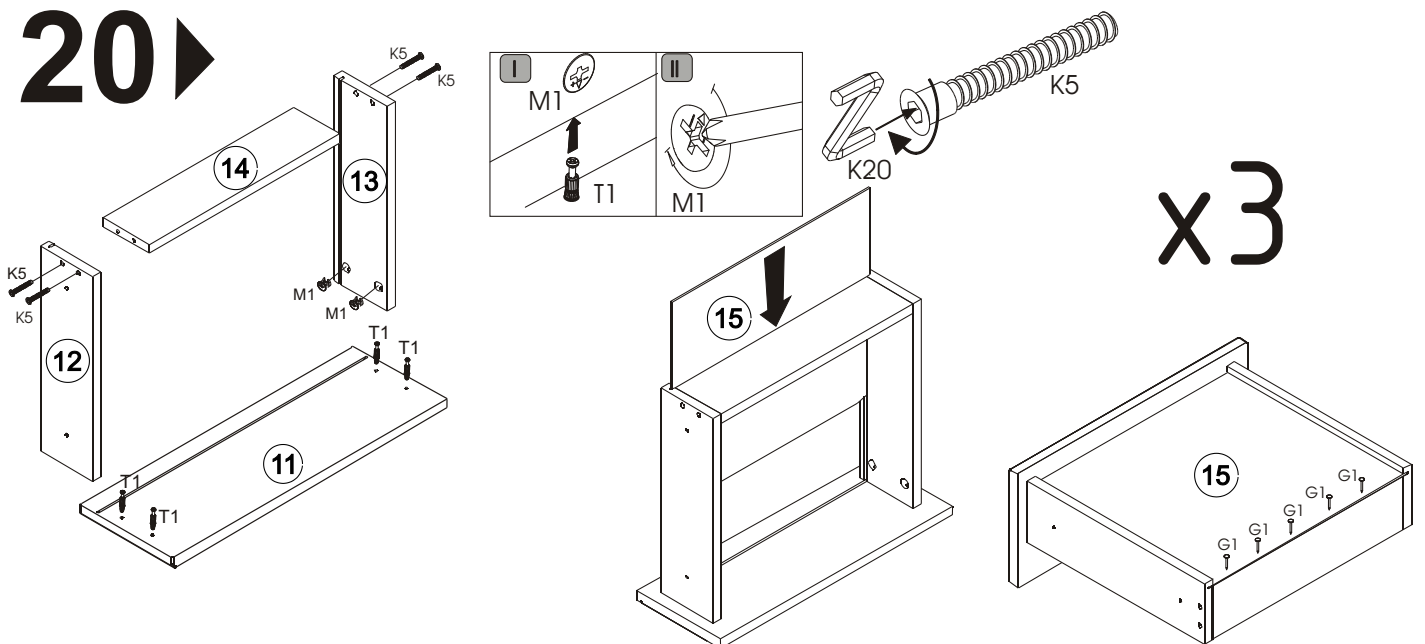
18



19 ▶



20 ▶



11 ▶

