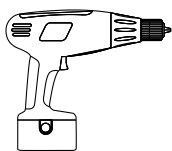
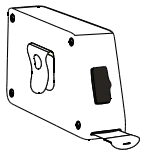
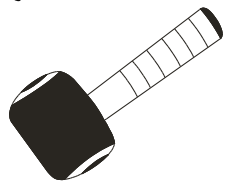
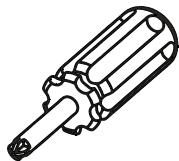
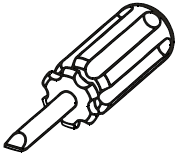


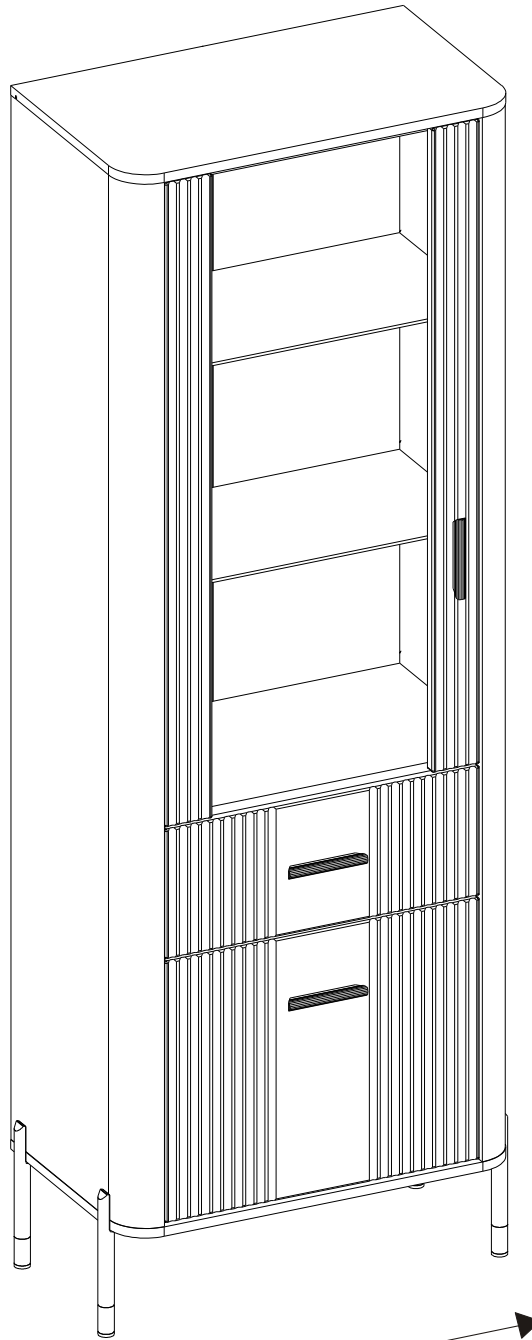
MODELL: DT13



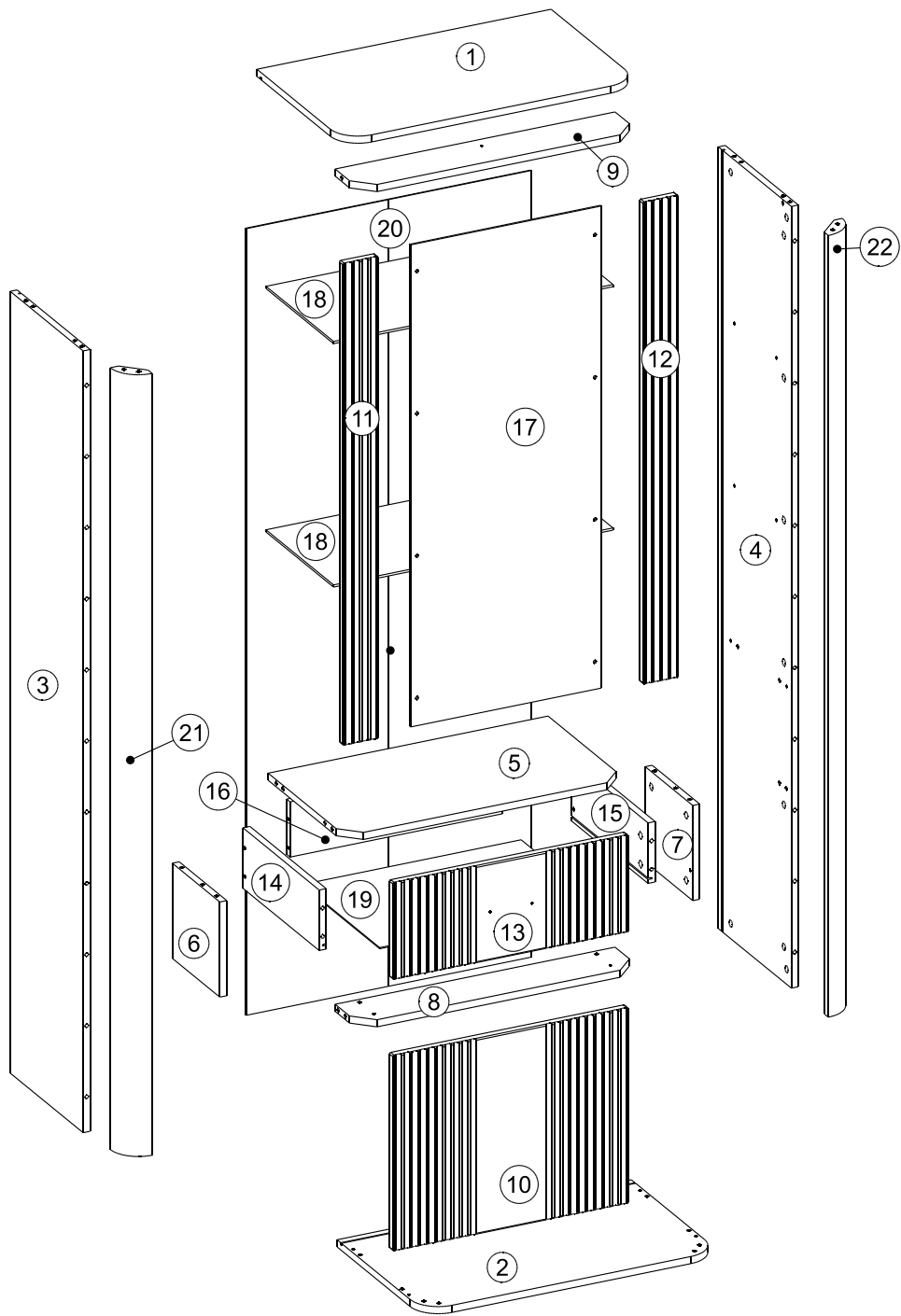
197

40

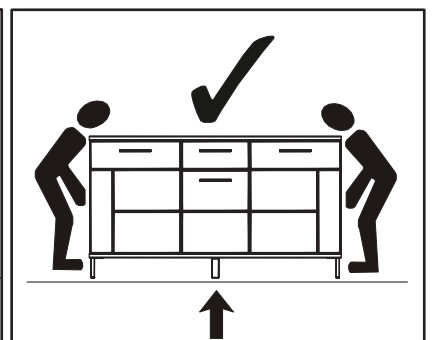
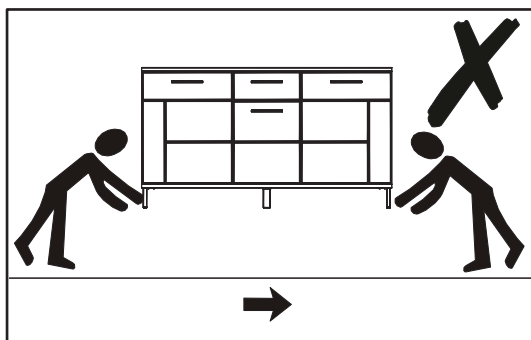
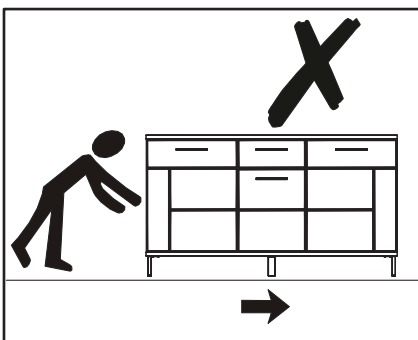
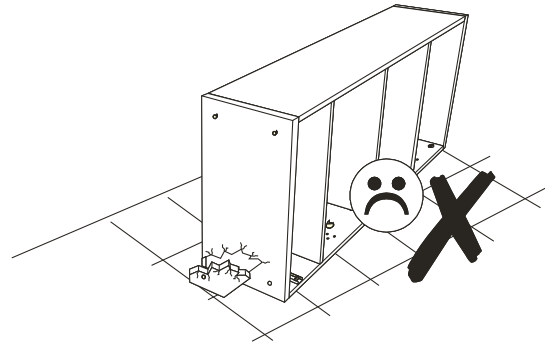
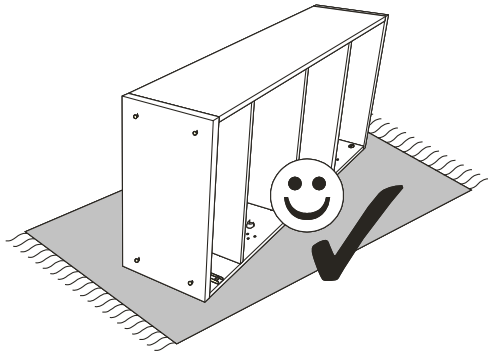
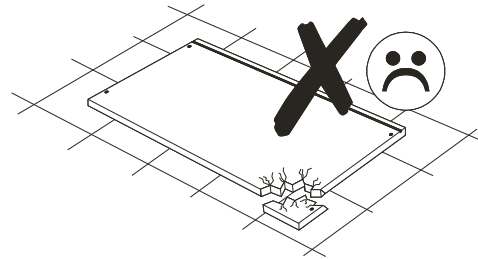
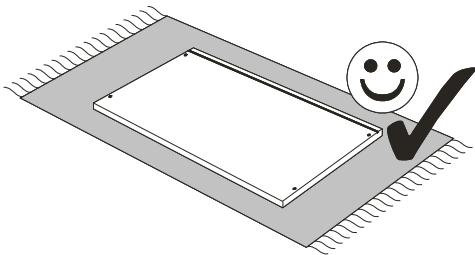
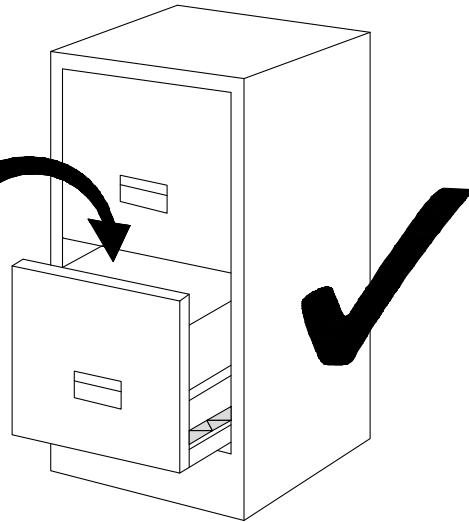
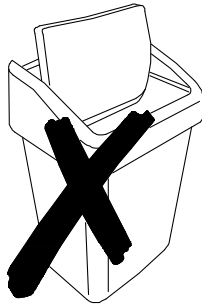
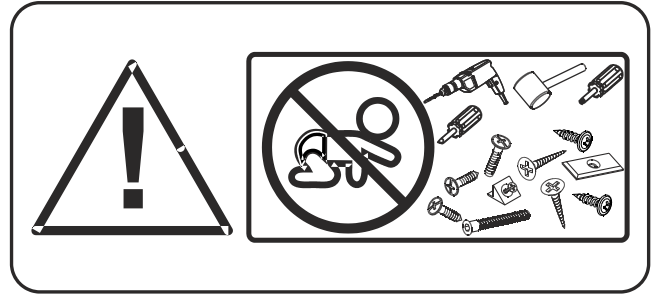
70,5

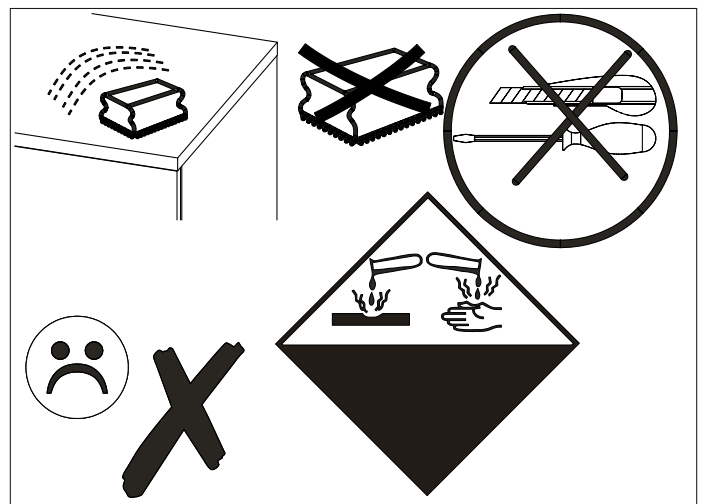
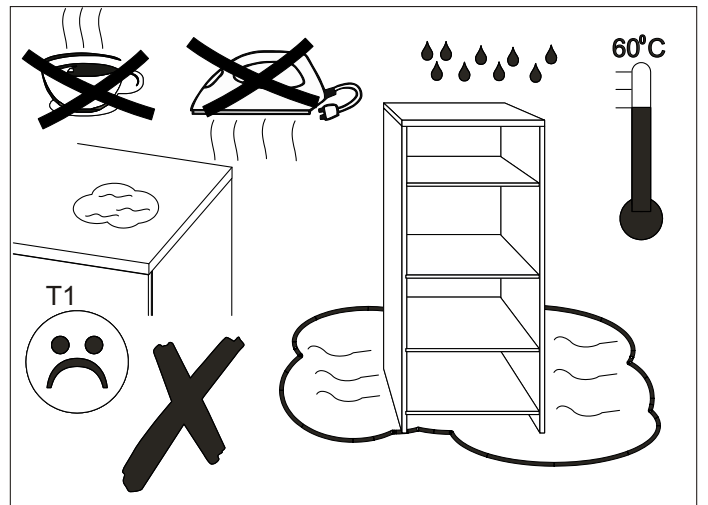
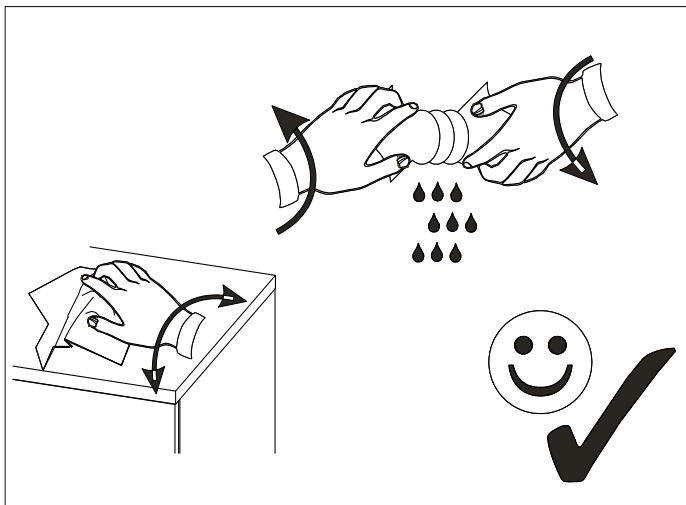
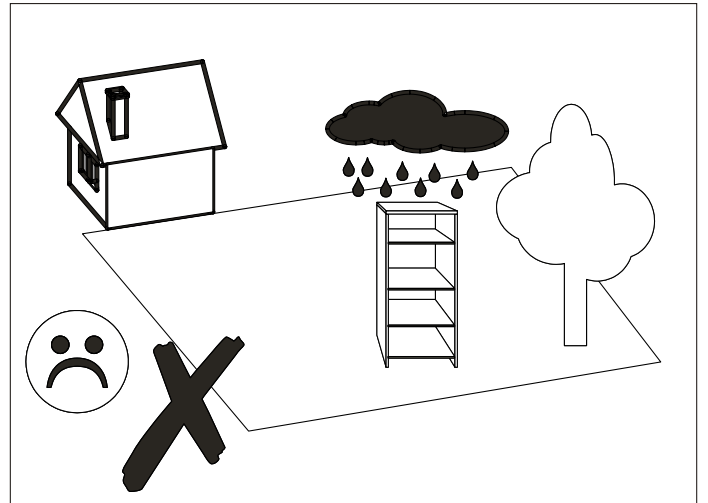
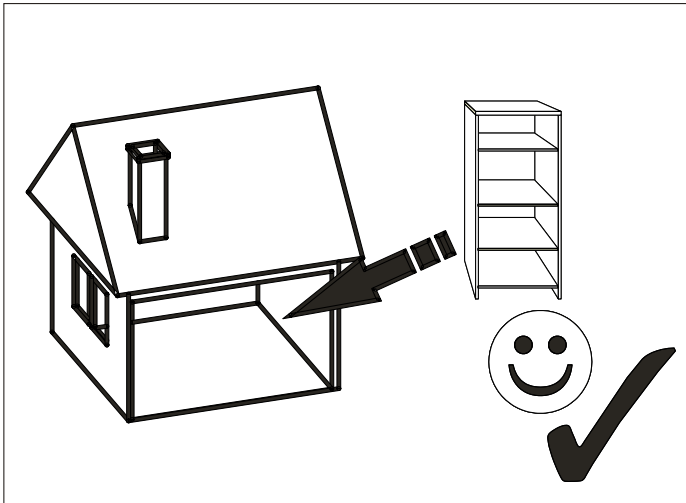


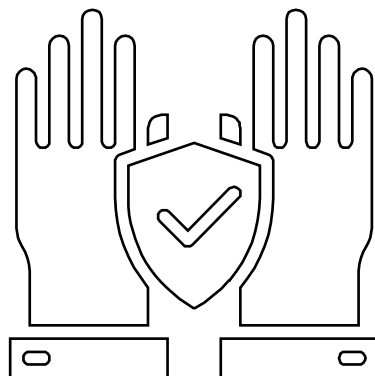
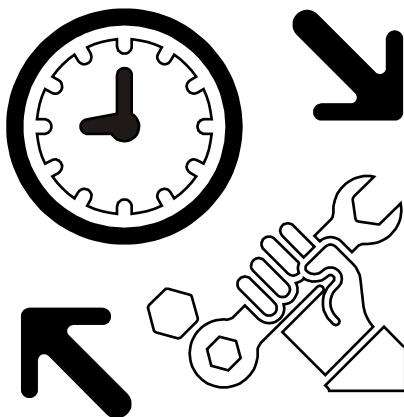
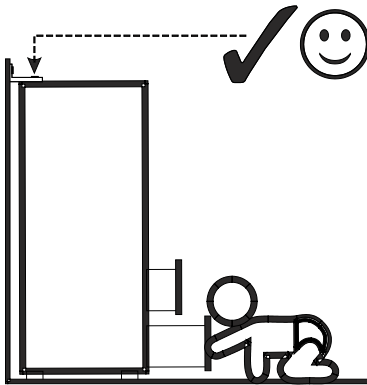
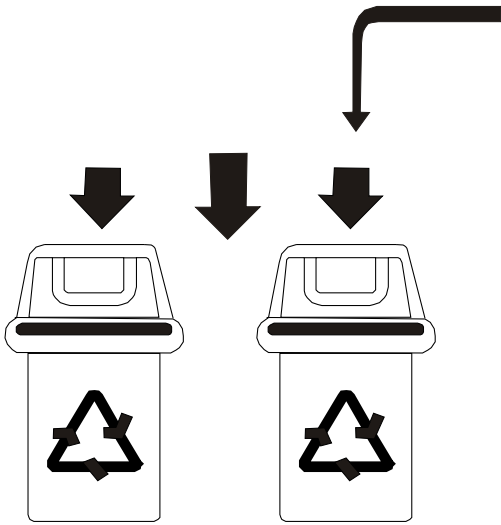
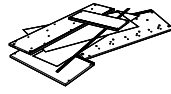
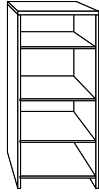
5x ZC45	12x 3.5x13 W3	8x 4x16 WP4	8x B2	8x TU1	1x 4x30 W4	2x 4mm O1	6x M4x24 S4	
1x L1	2x 3x16 W6	12x ST1	1x #350L PK3 cam lock"/> #350L PK3	1x #350P PK3 cam lock"/> #350P PK3	12x 3x20 W9	4x N1	1x #14/863 washer ZN1"/> #14/863 ZN1	24x #20/863 washer ZN1"/> #20/863 ZN1
4x 6.4x50 K5	36x 8x30 K1	3x U 1	1x K20	34x #15/15 cam lock M1"/> #15/15 M1	34x DU232T T1	16x 4,5x16 W7	10x 2x20 G1	4x 6x12 E1



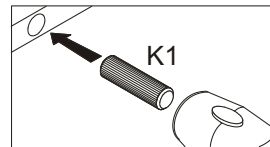
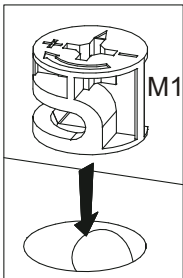
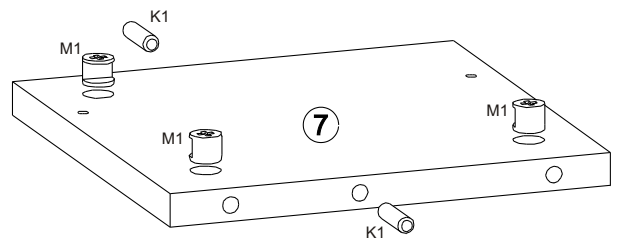
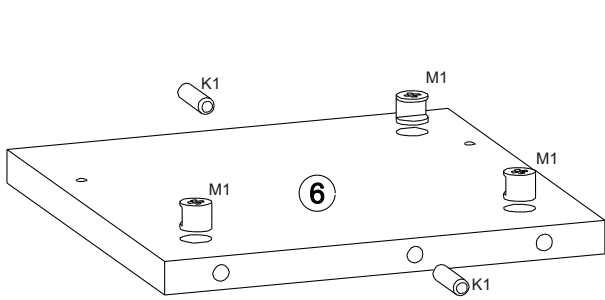
11	1084x81	3/5	22	1758x90.5	2/5
10	540x440	3/5	21	1758x90.5	2/5
9	642x108	2/5	20	1769x653	2/5
8	642x108	2/5	19	355x502	2/5
7	214x218	2/5	18	641x290	1/5
6	214x218	2/5	17	1084x438	2/5
5	642x354	2/5	16	487x124	2/5
4	1758x335.5	2/5	15	350x136	2/5
3	1758x335.5	2/5	14	350x136	2/5
2	675x400	1/5	13	540x218	3/5
1	675x400	1/5	12	1084x81	3/5



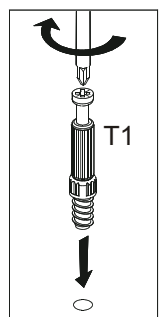
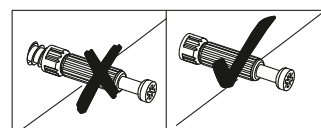
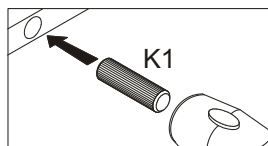
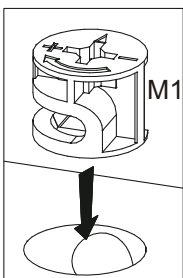
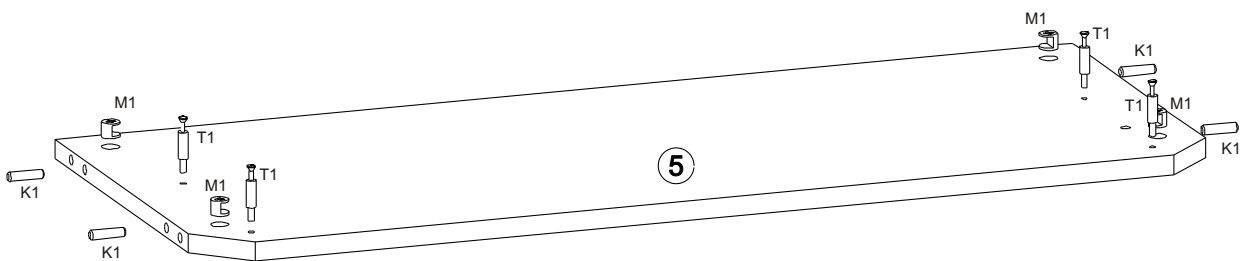
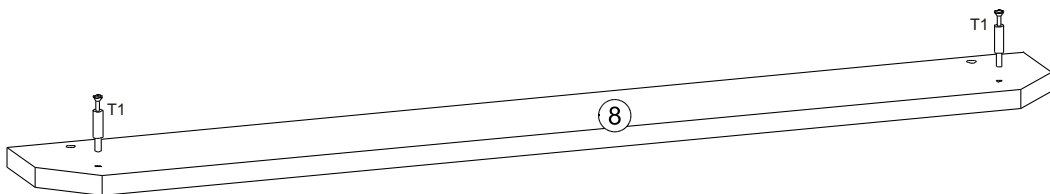




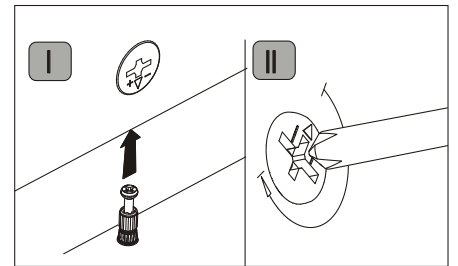
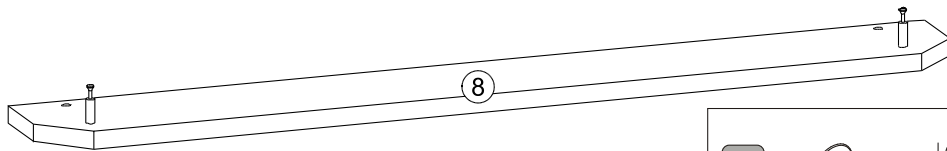
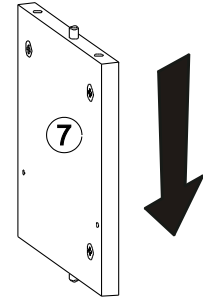
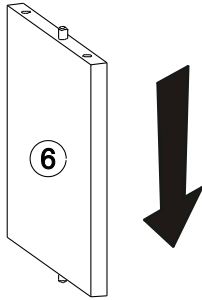
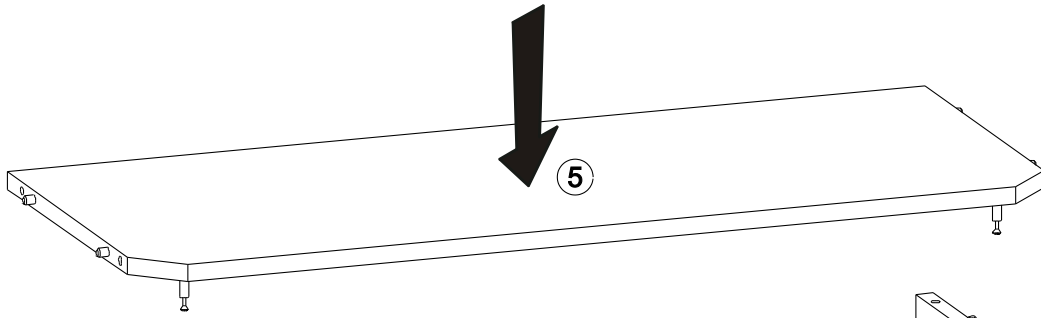
1



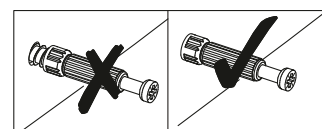
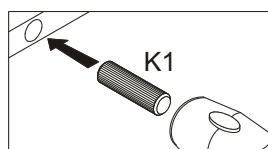
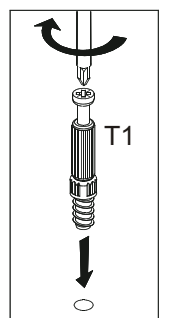
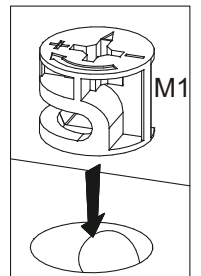
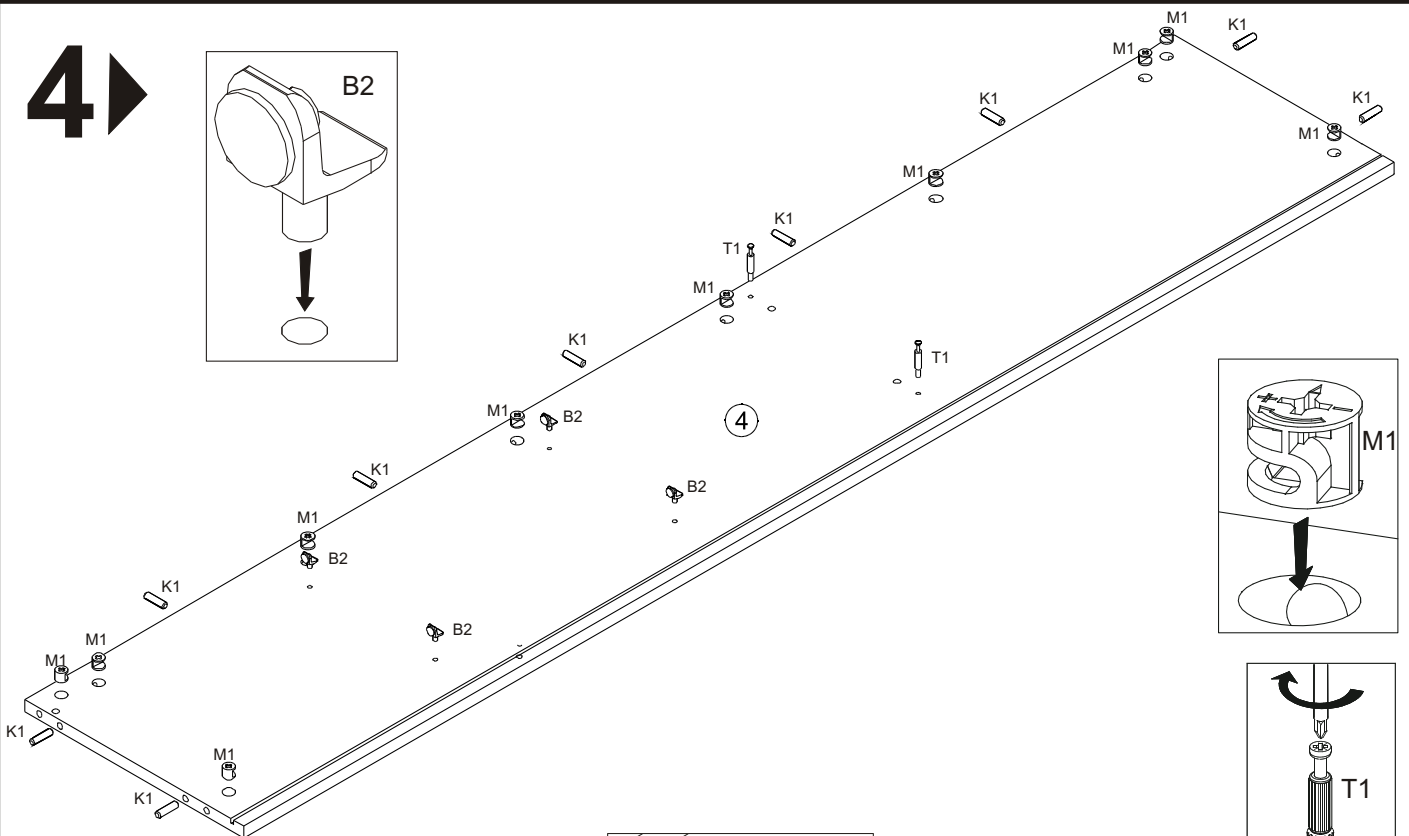
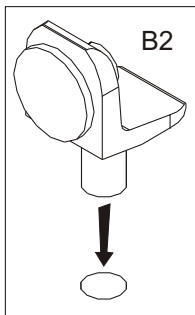
2



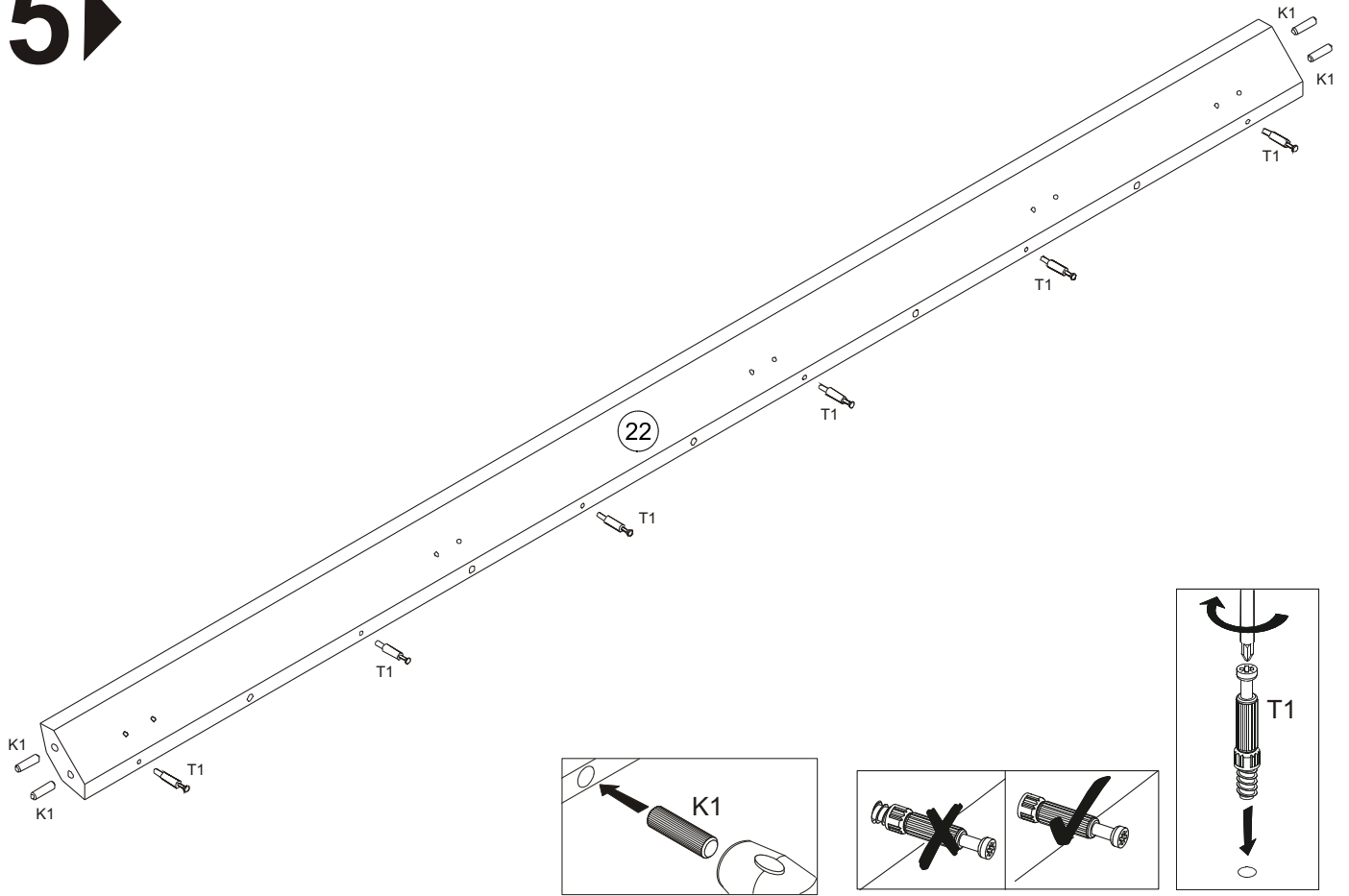
3 ▶



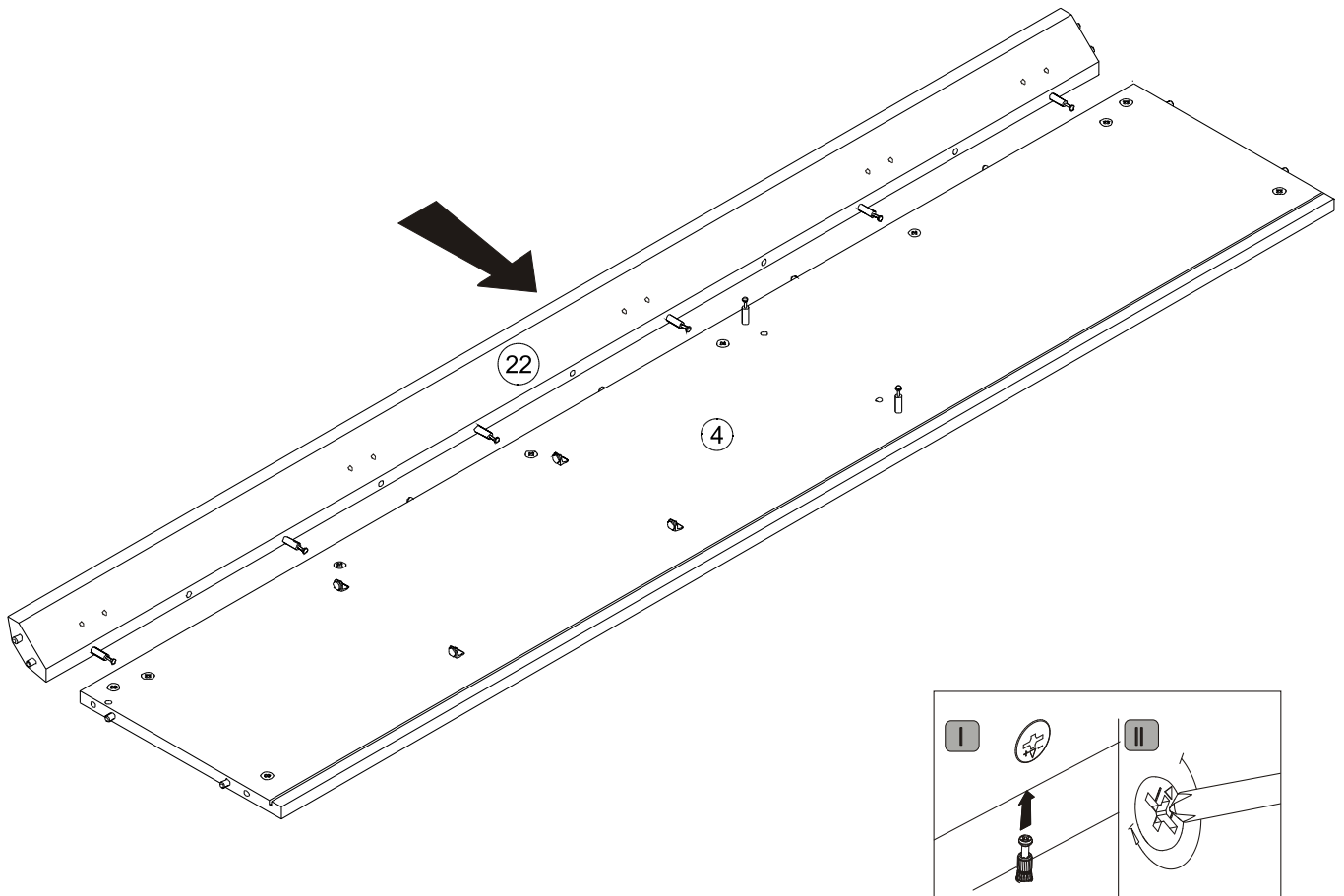
4 ▶



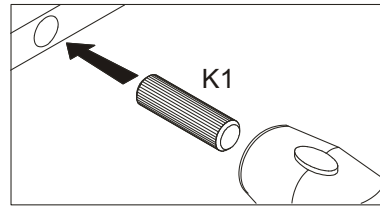
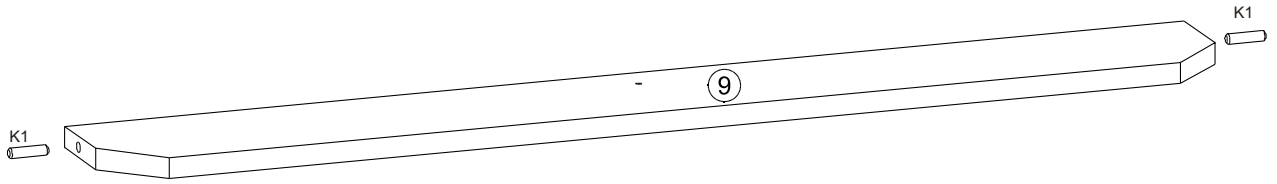
5 ▶



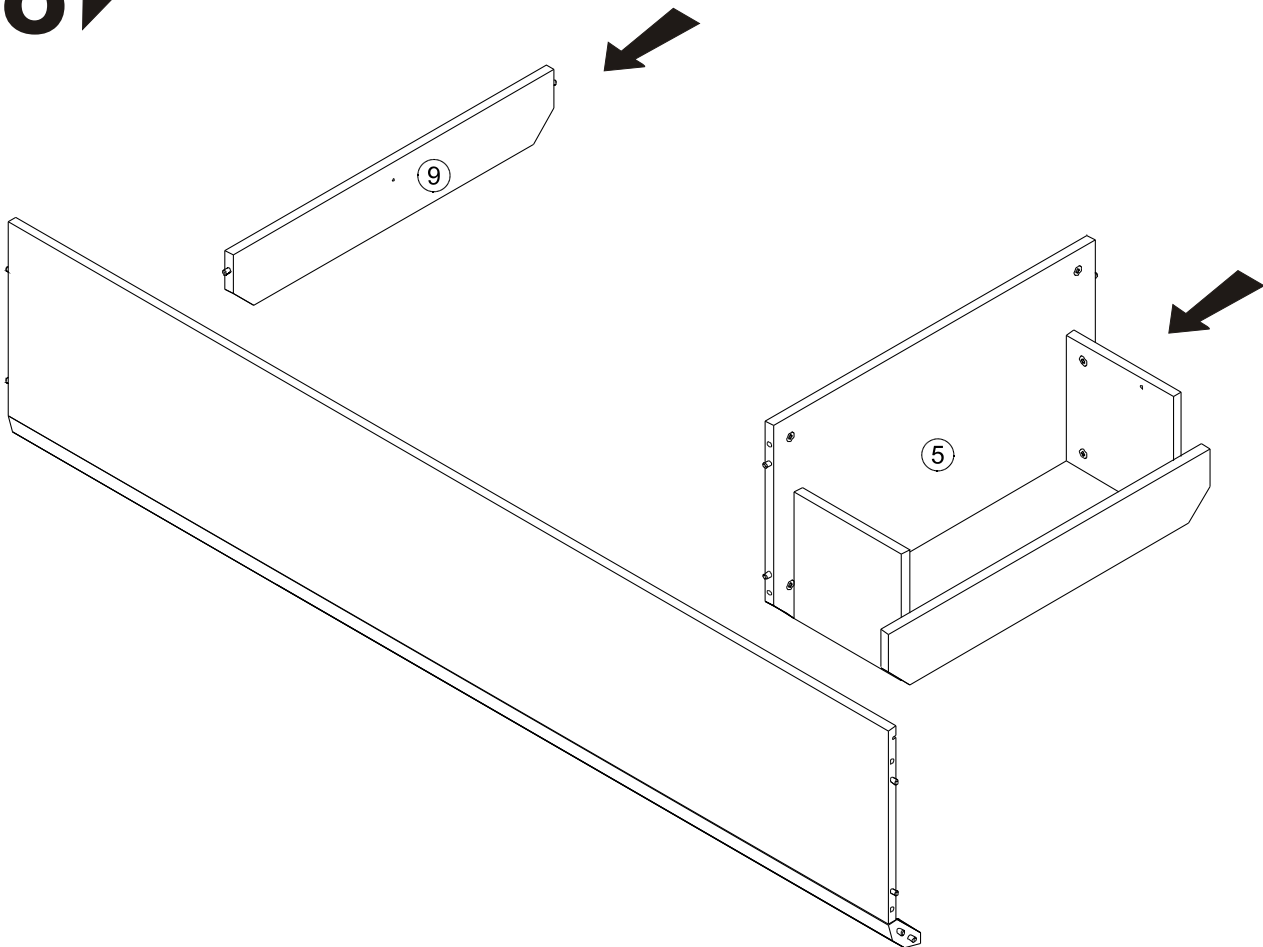
6 ▶



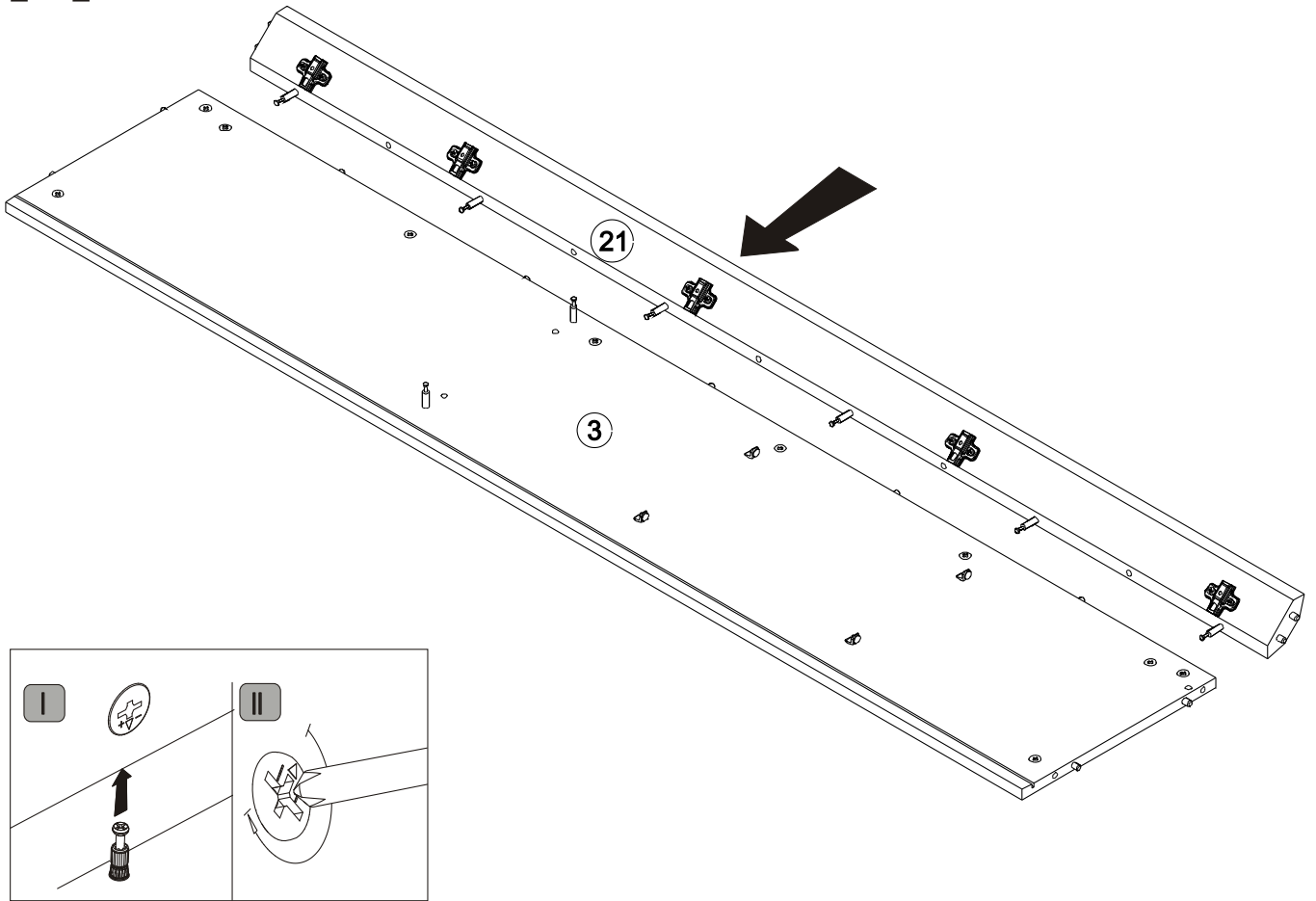
7 ▶



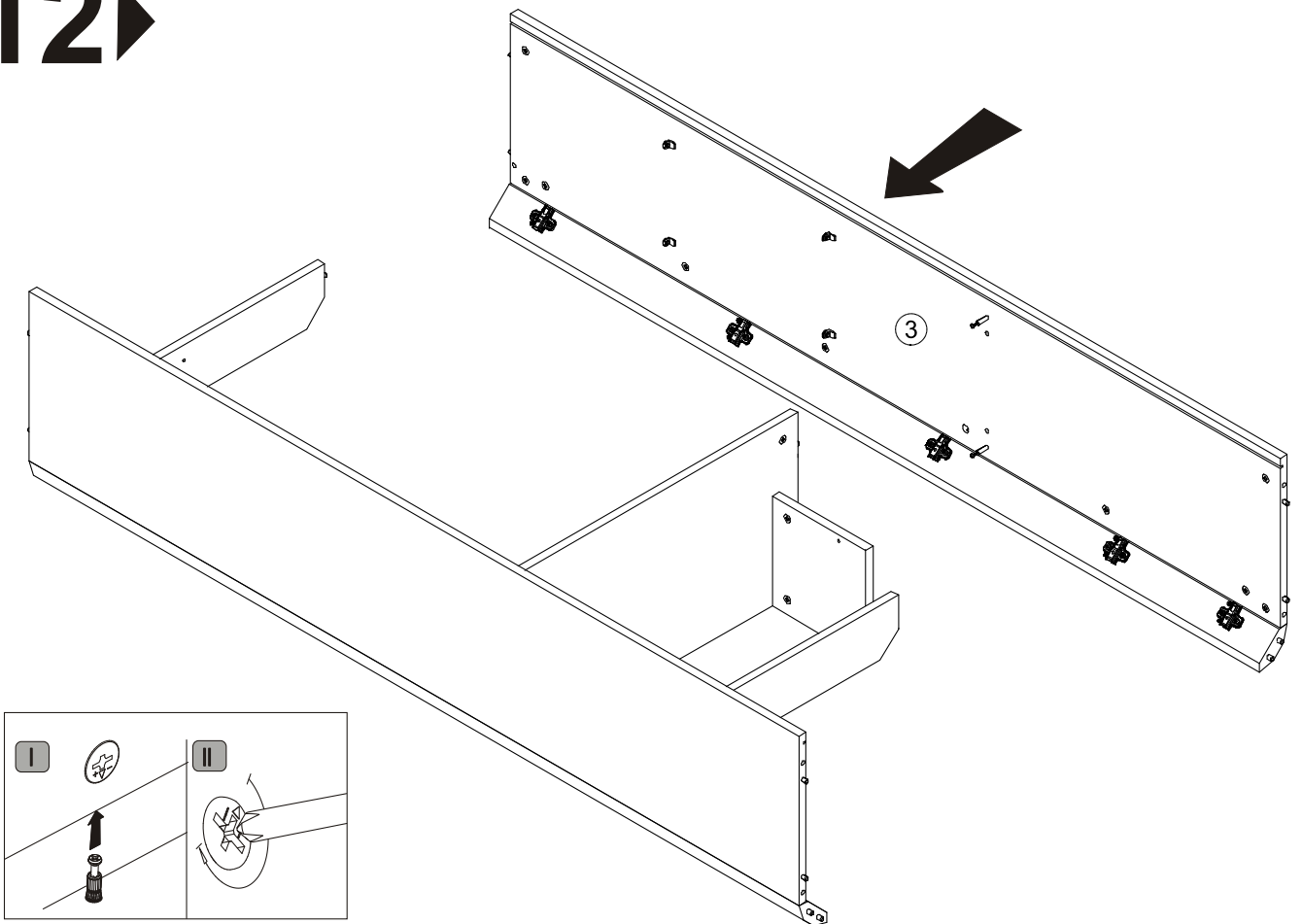
8 ▶



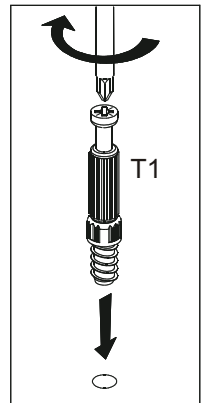
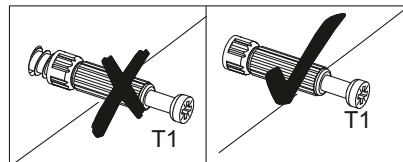
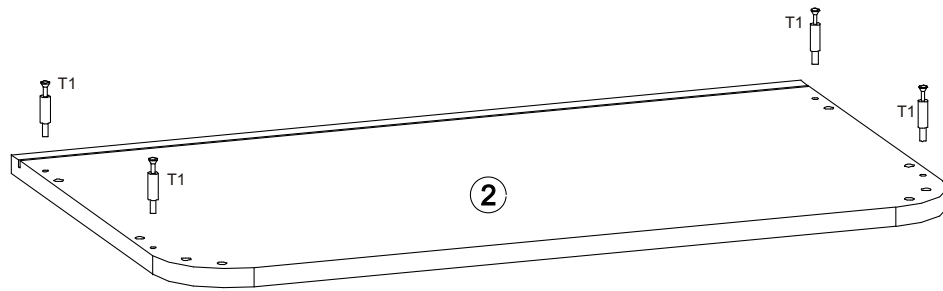
11▶



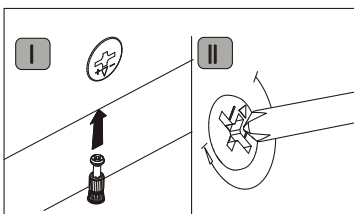
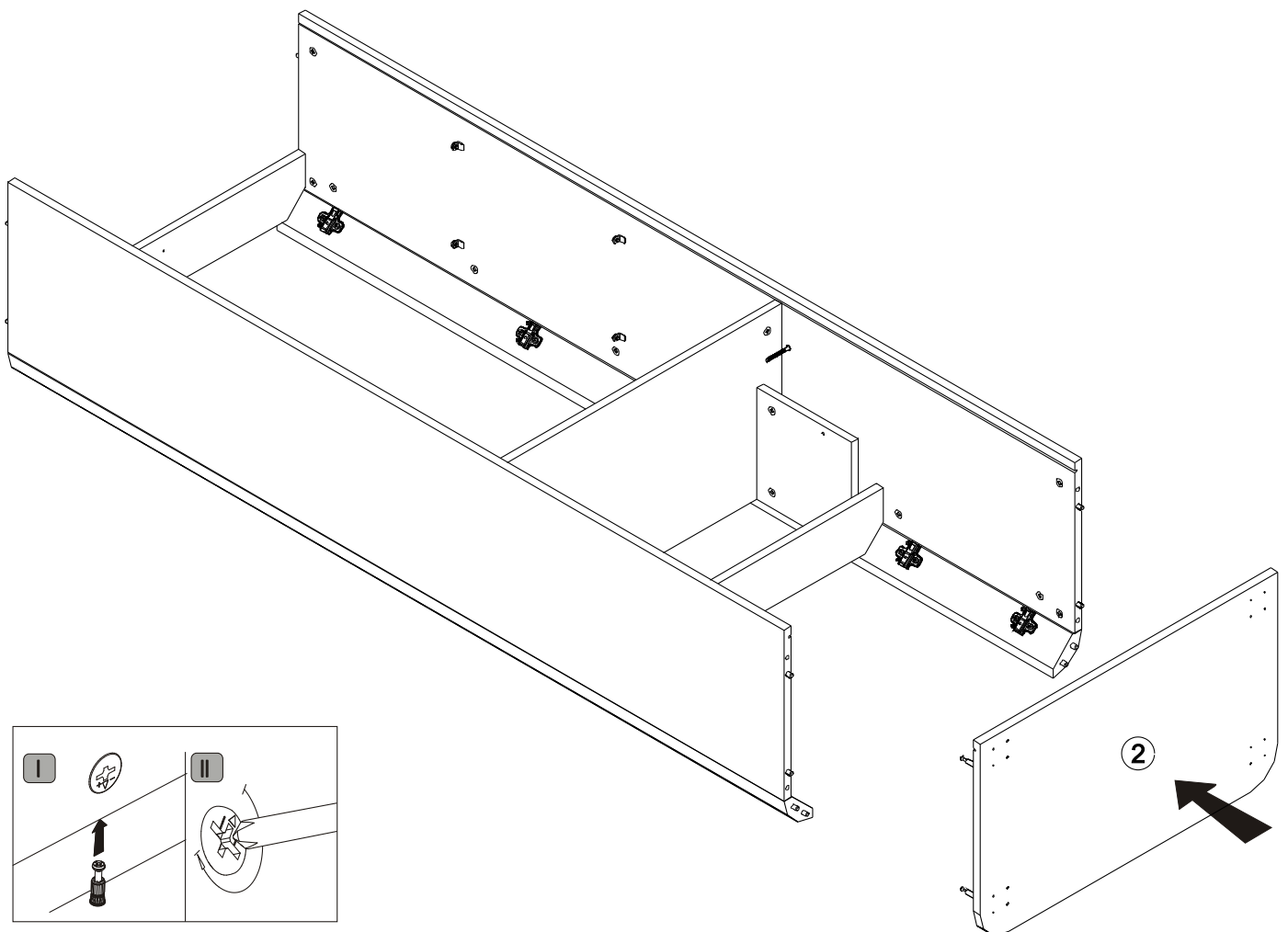
12▶



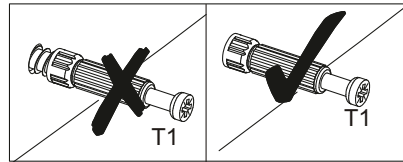
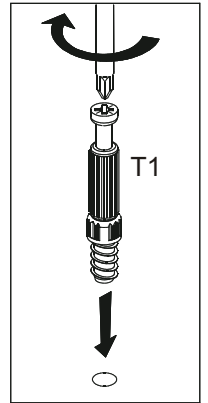
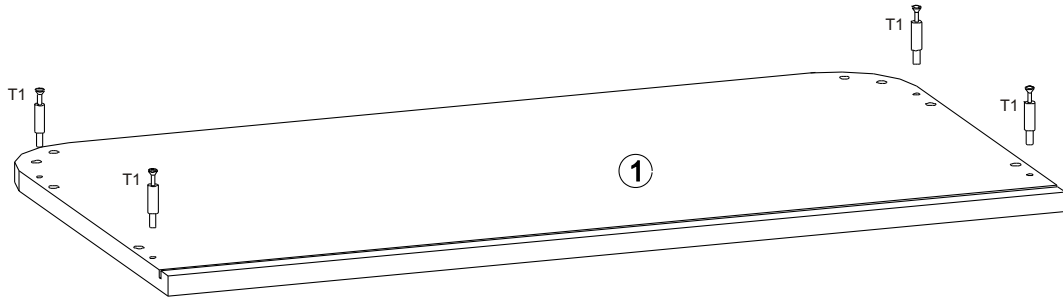
13▶



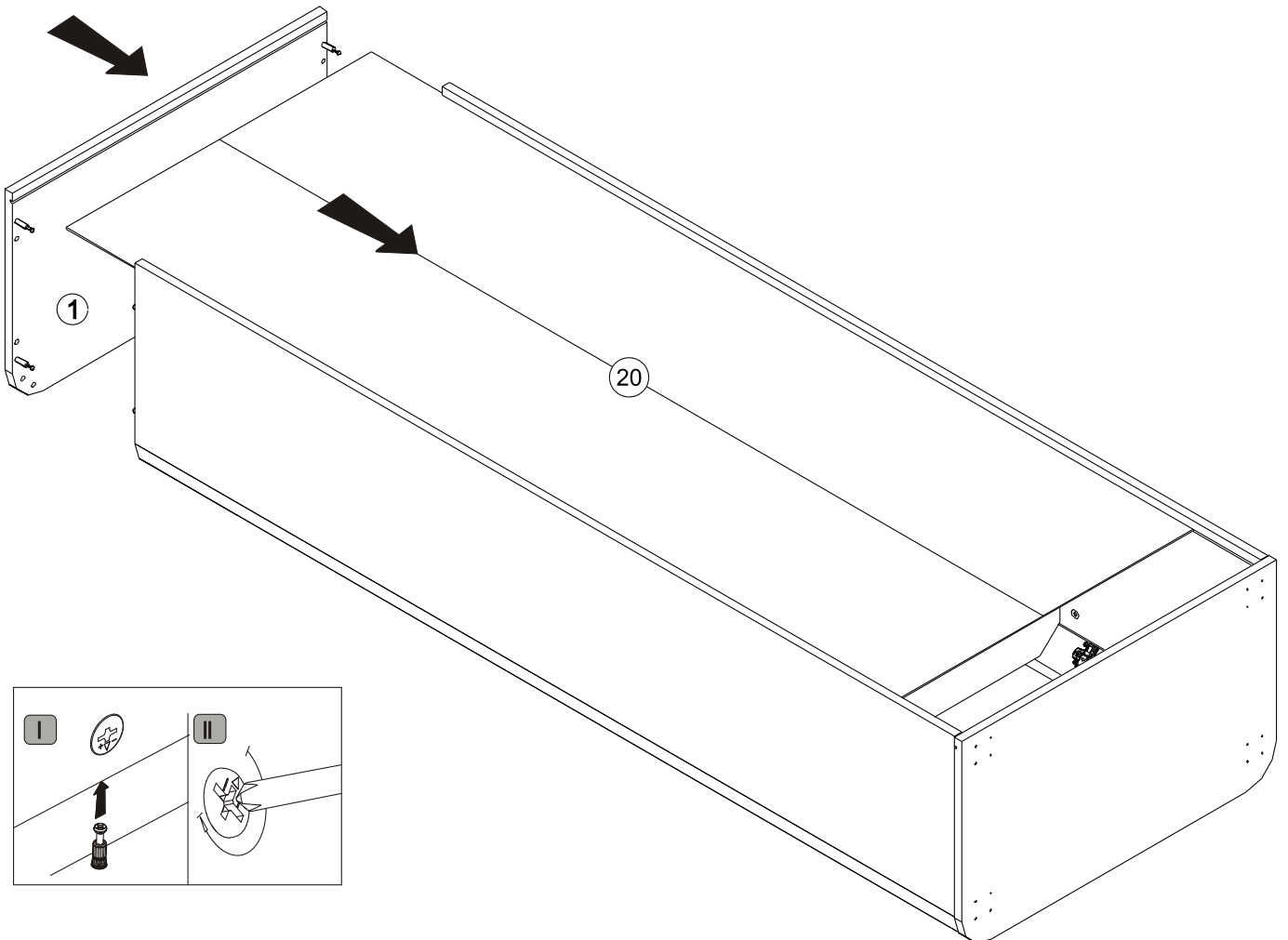
14▶



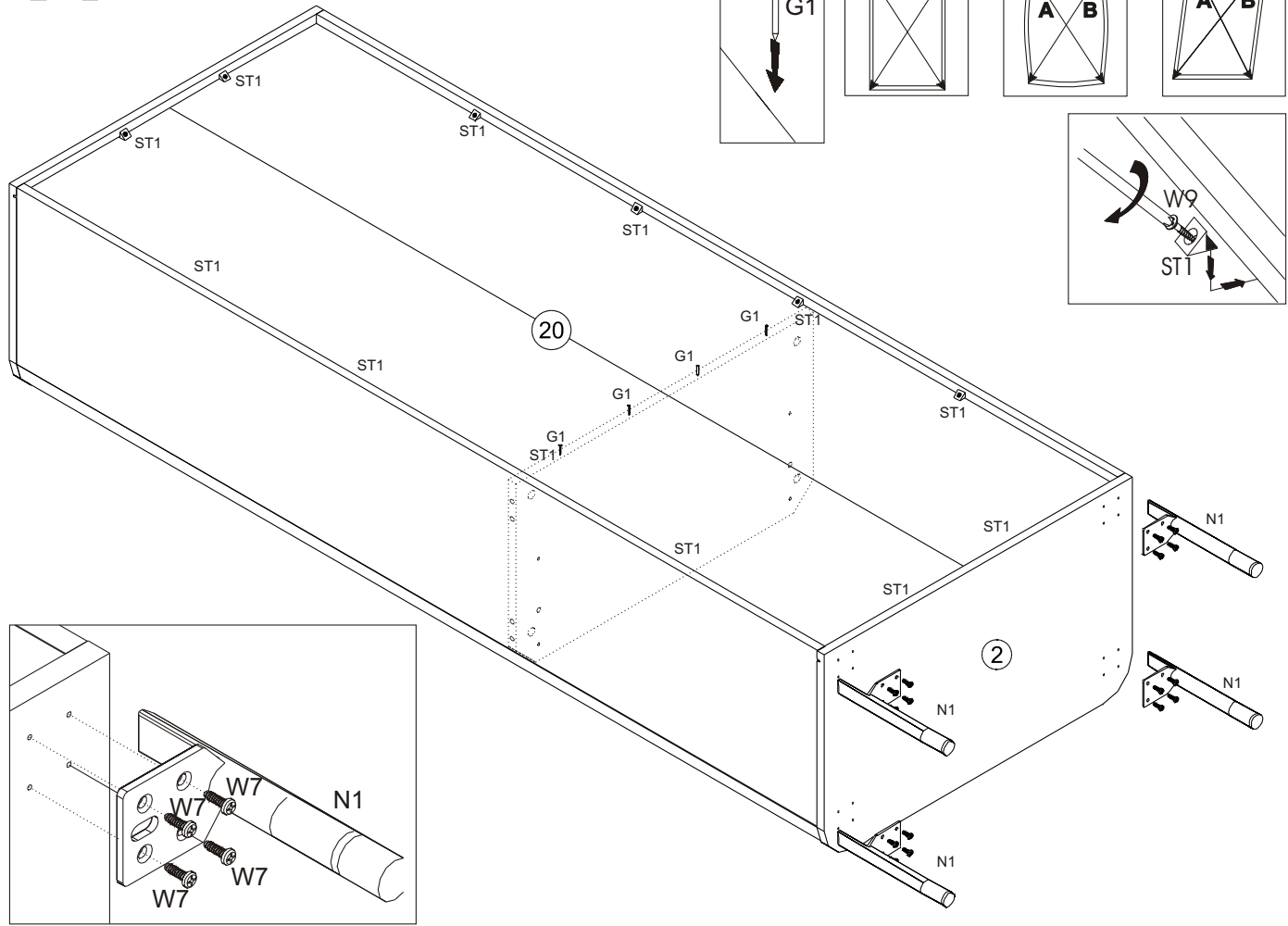
15 ▶



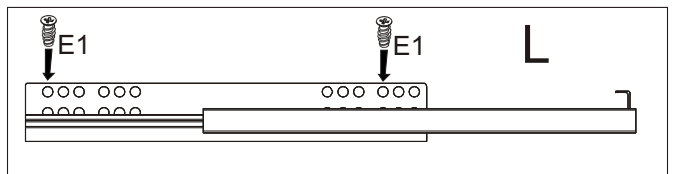
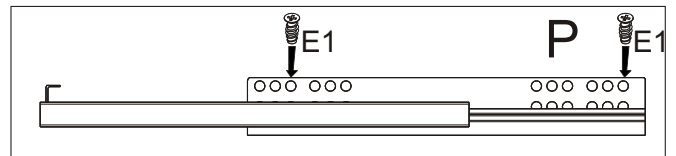
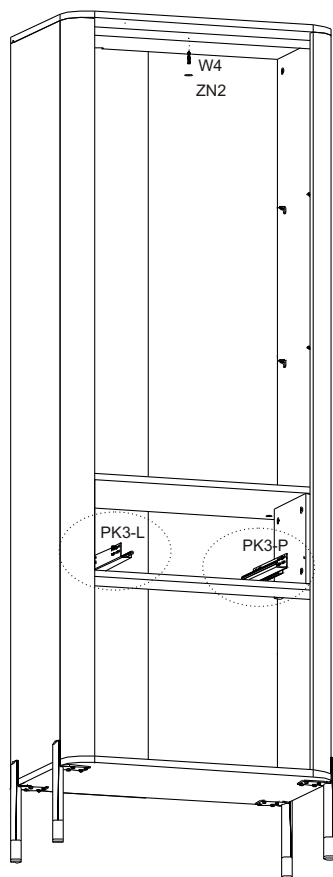
16 ▶



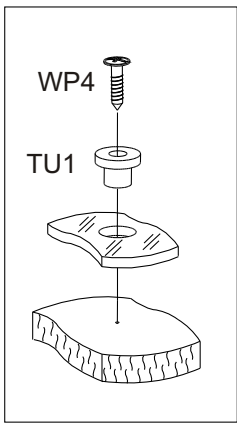
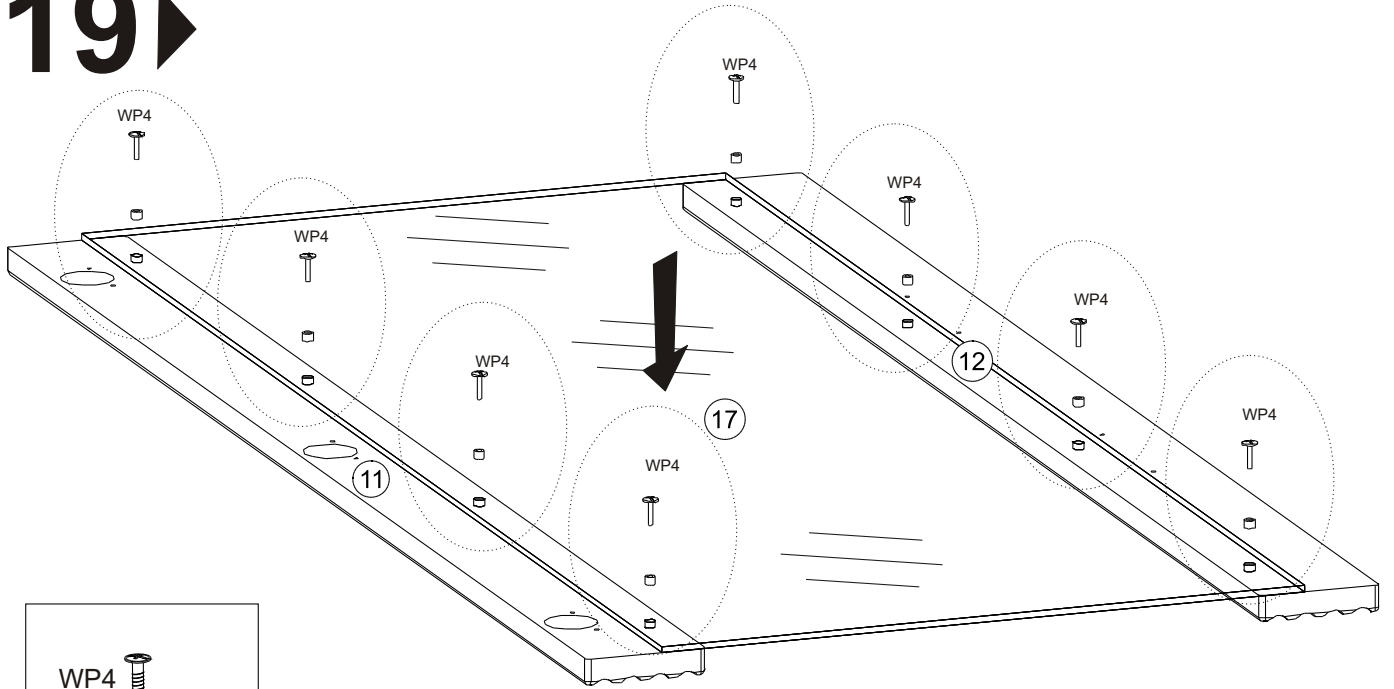
17



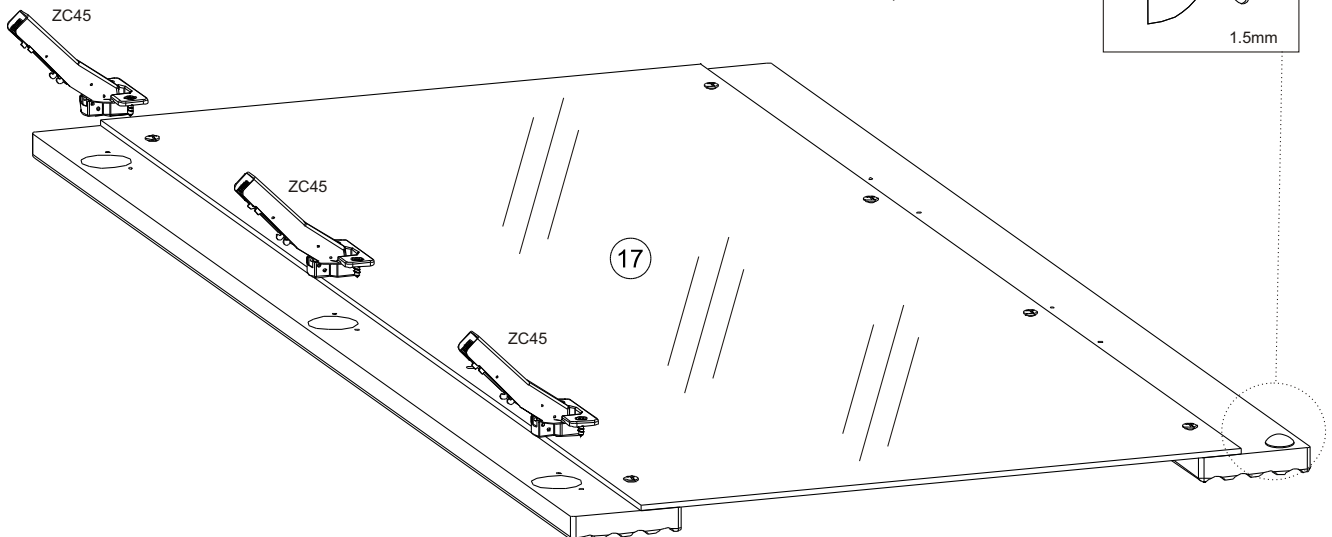
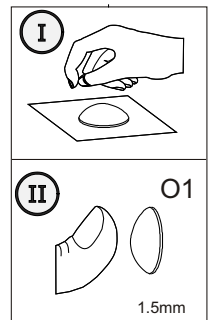
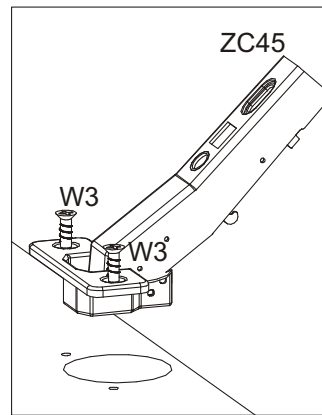
18



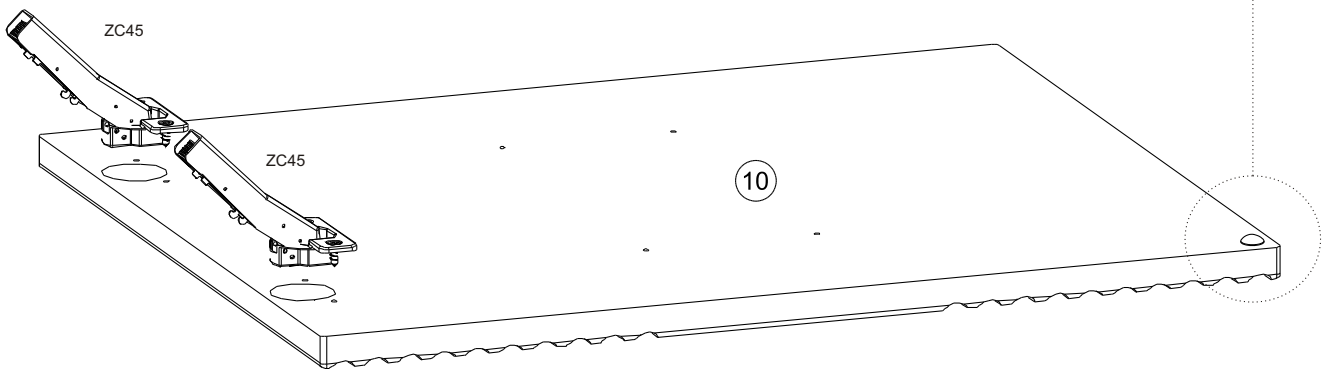
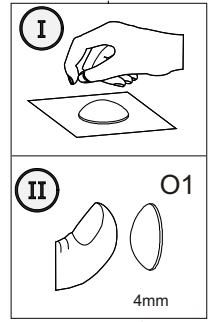
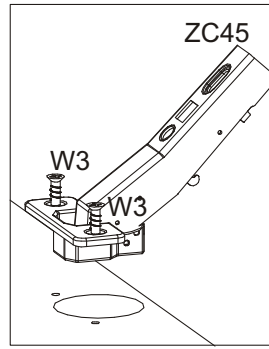
19 ▶



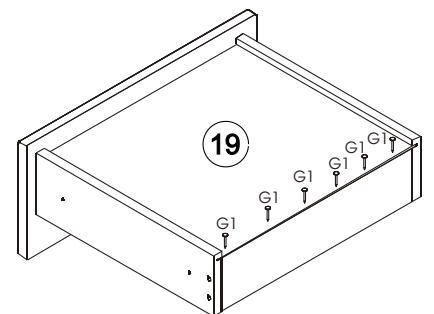
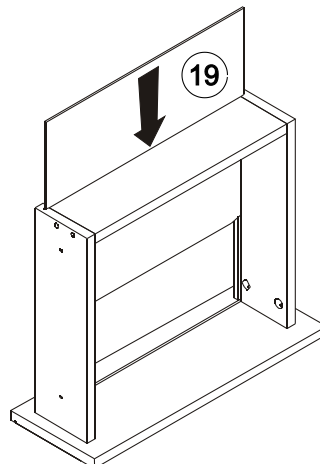
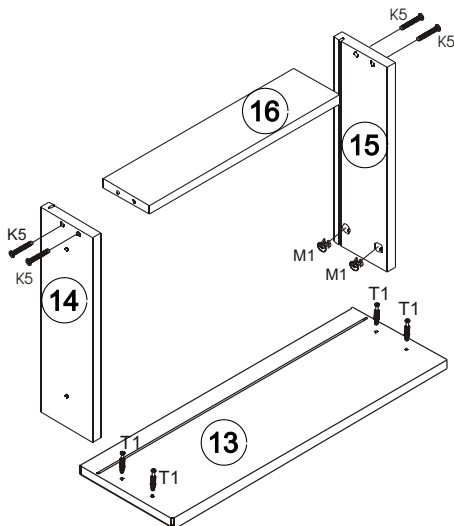
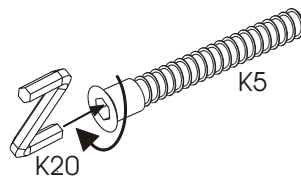
20 ▶



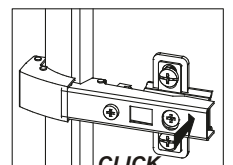
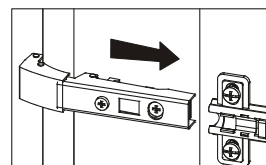
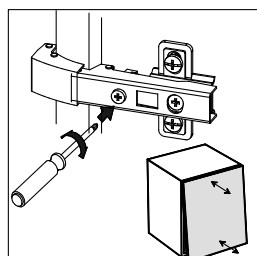
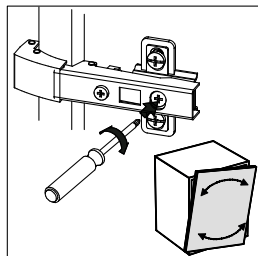
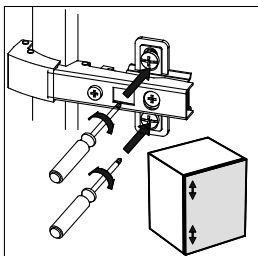
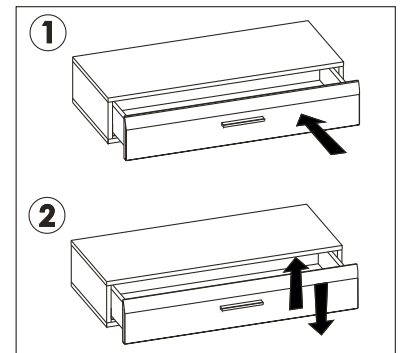
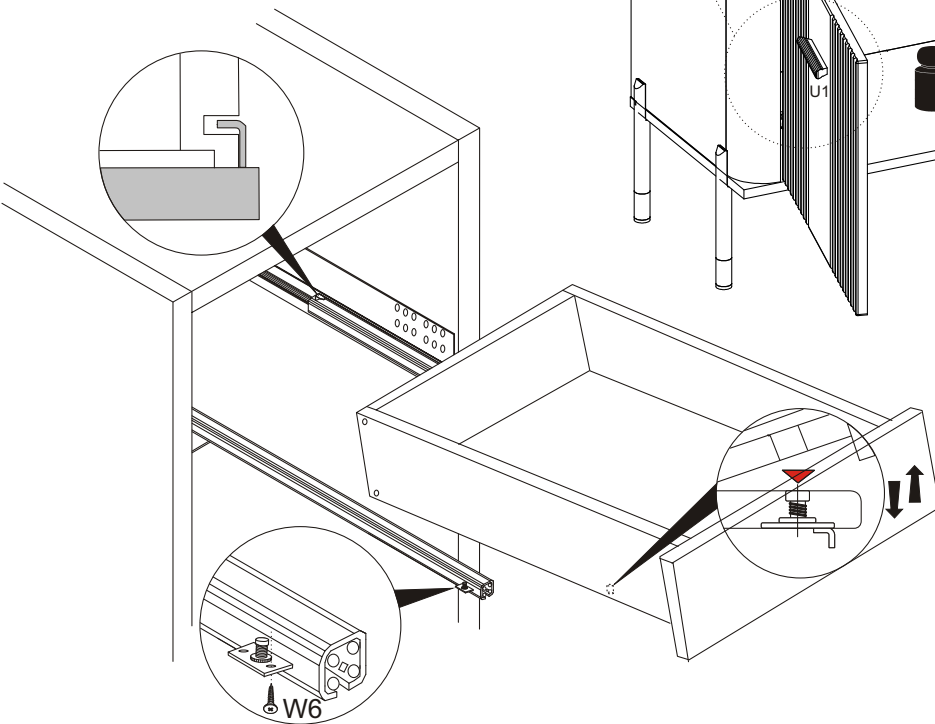
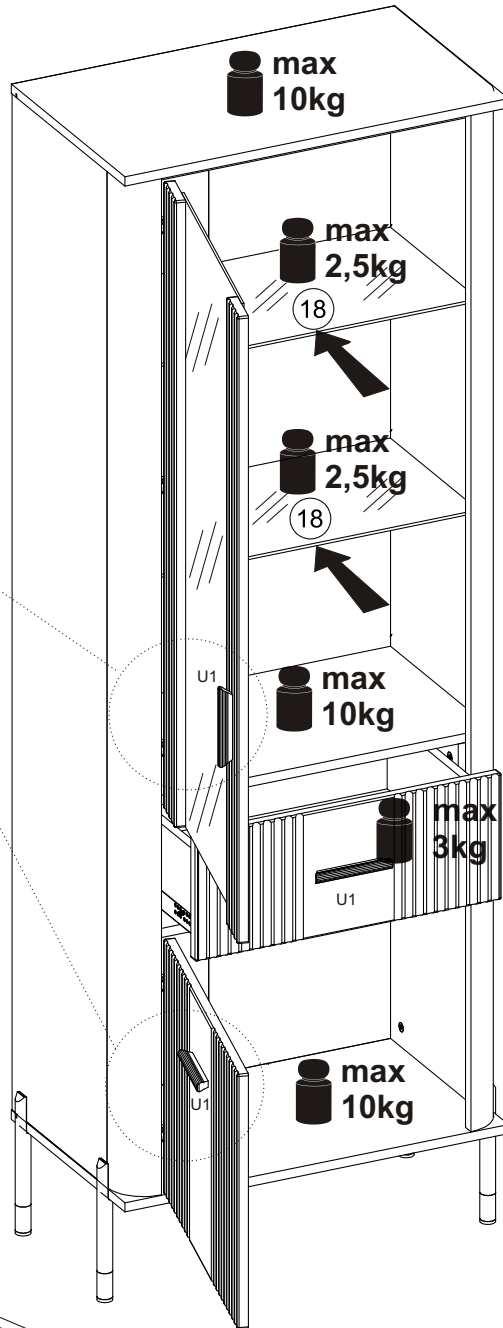
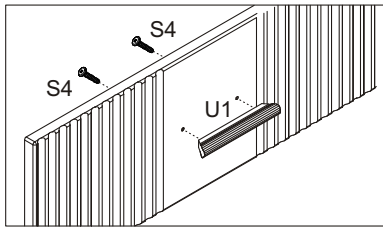
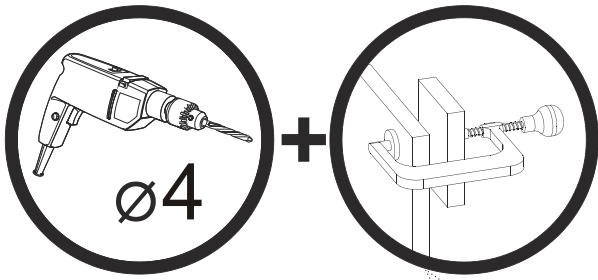
21▶



22▶



23 ▶



24

