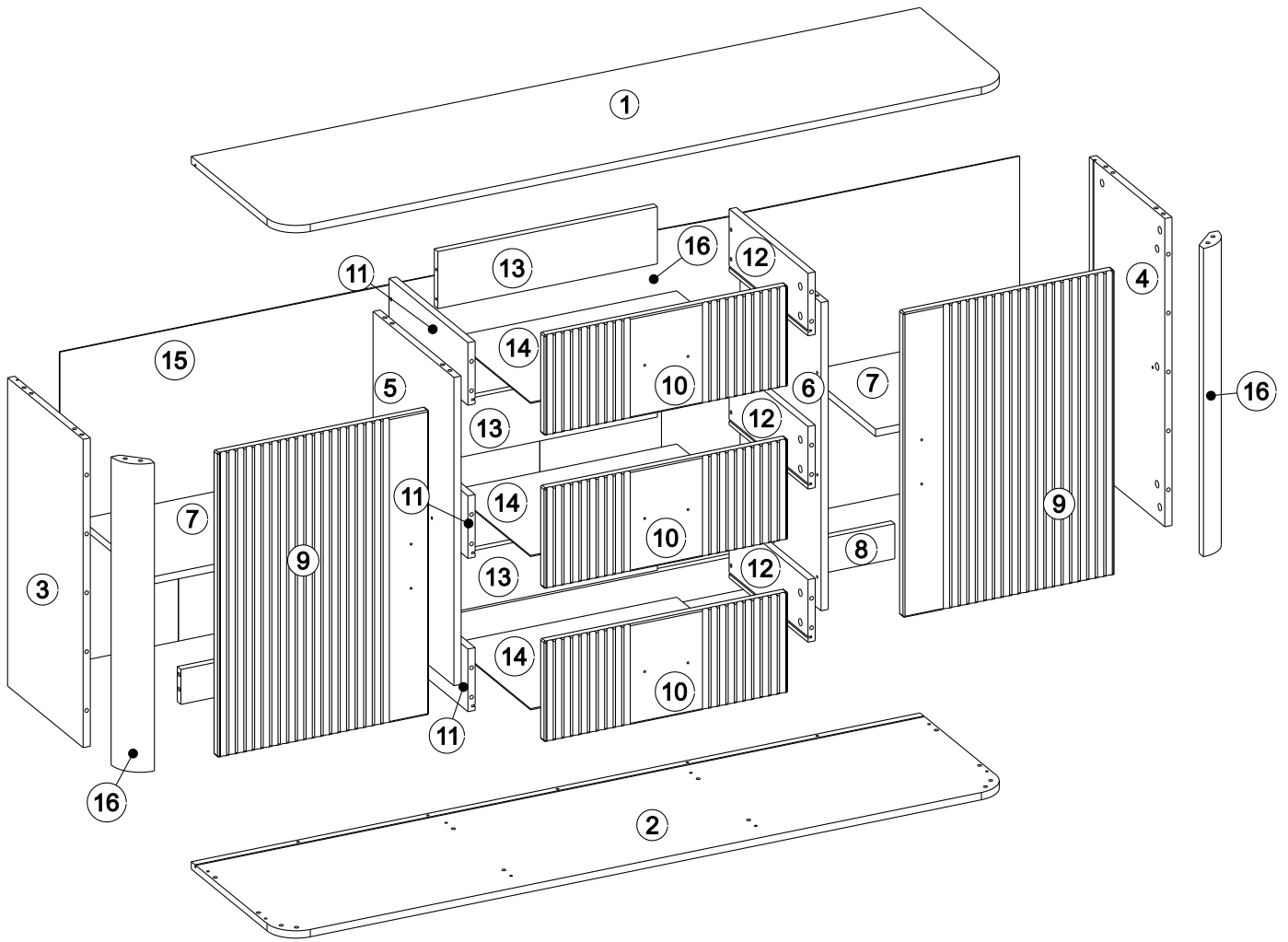
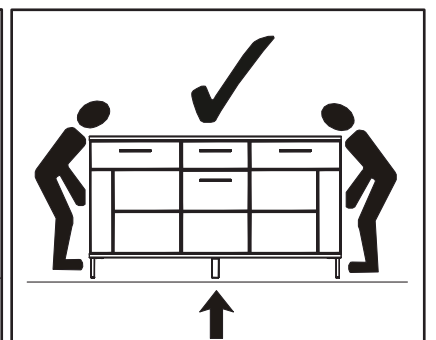
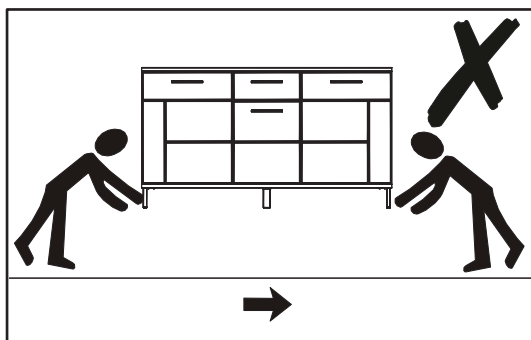
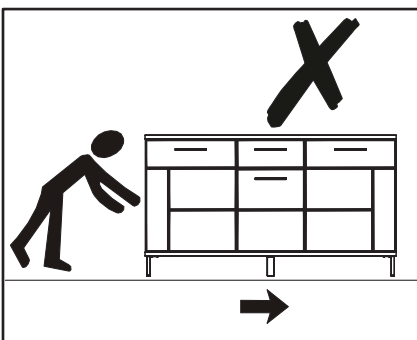
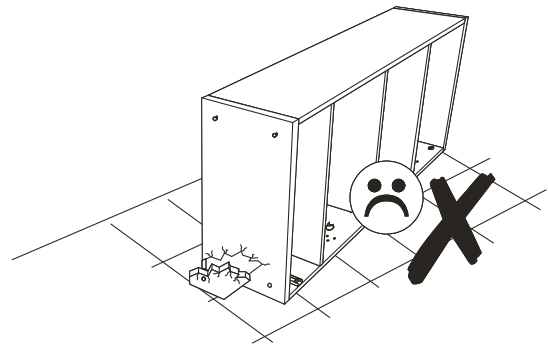
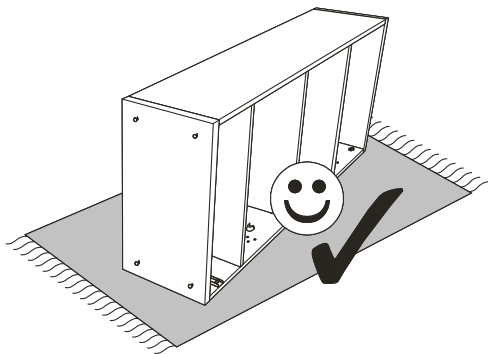
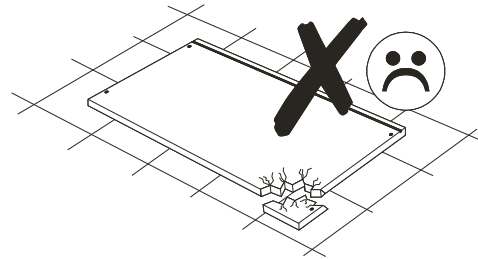
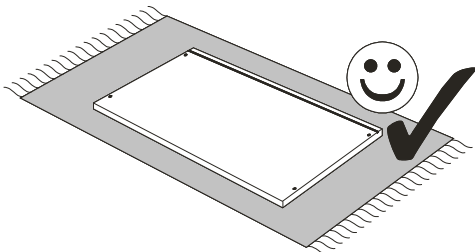
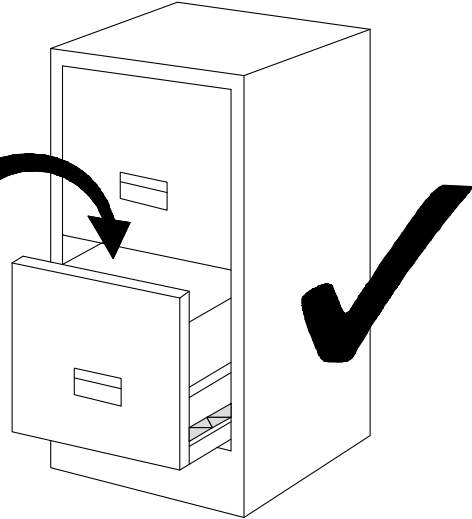
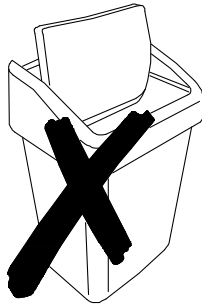
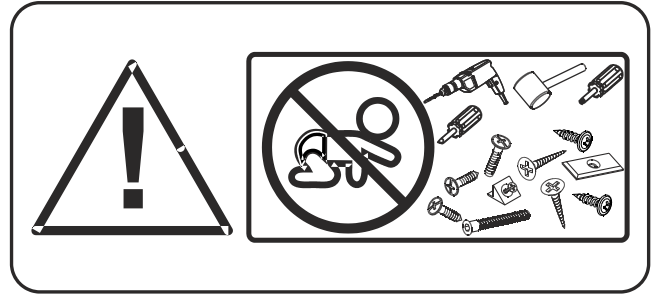
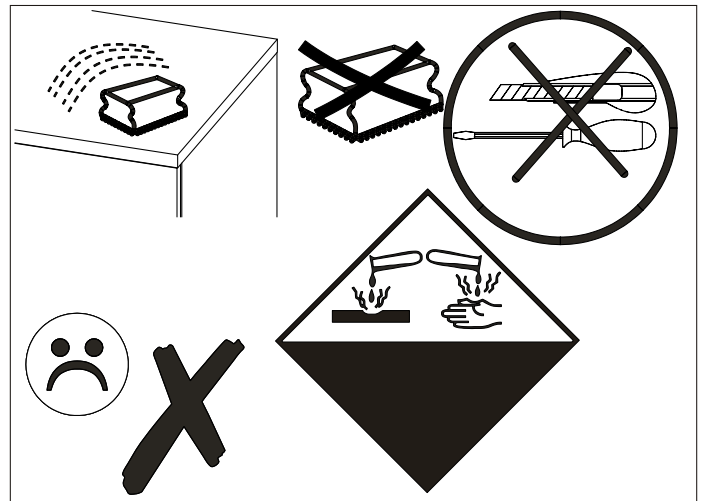
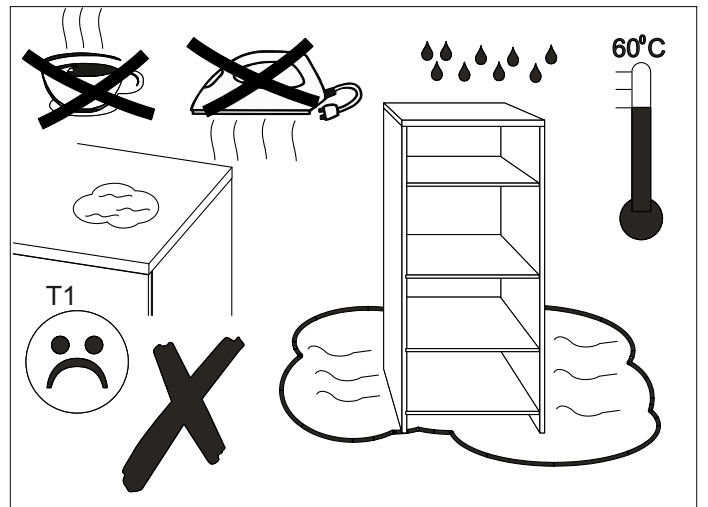
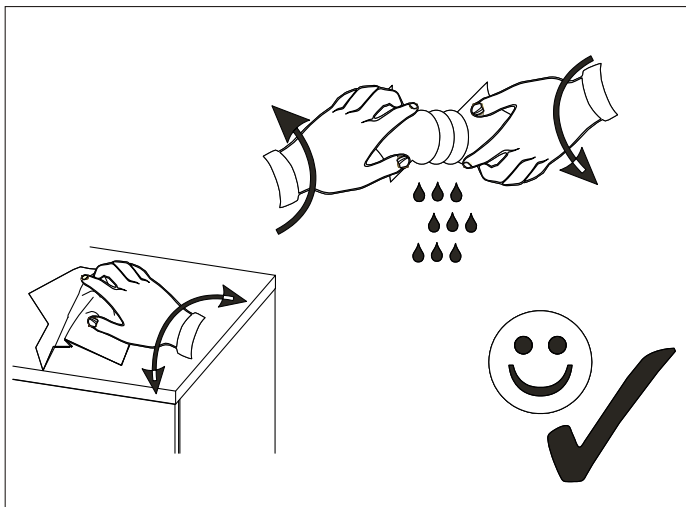
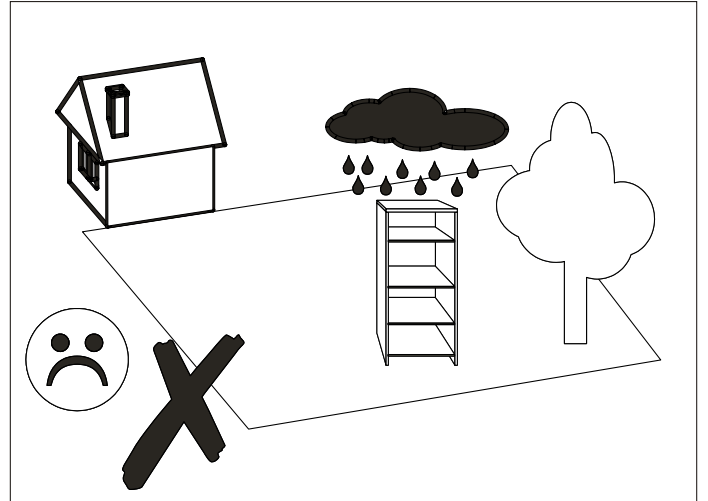
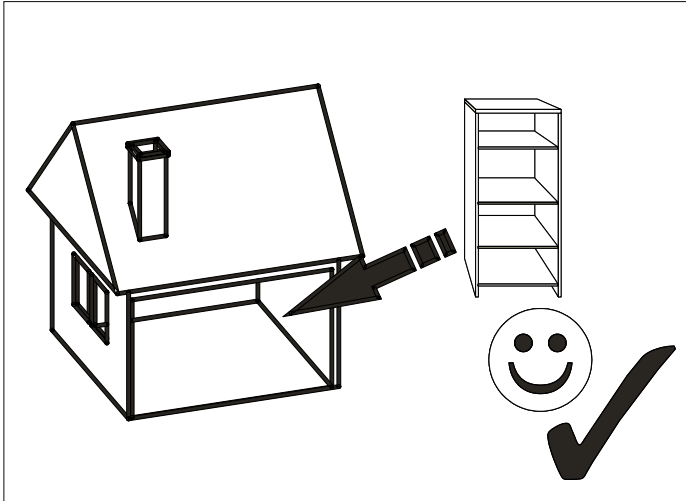


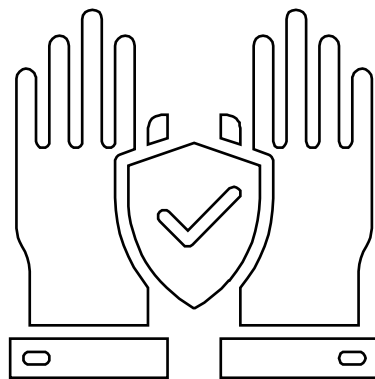
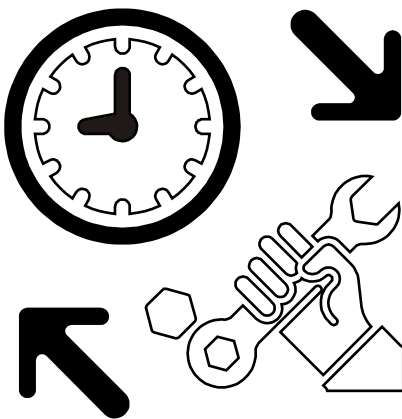
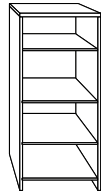
4x ZC45	8x 3.5x13 W3	8x B1							
26x #20/863 ZN1	1x N2	9x ST1	3x #350L PK3	3x #350P PK3	9x 3x20 W9	4x N1	6x 3x16 W6	12x M4x24 S4	
12x 6.4x50 K5	28x 8x30 K1	5x U1	1x K20	43x #15/15 M1	43x DU232T T1	20x 4.5x16 W7	28x 2x20 G1	12x 6x12 E1	



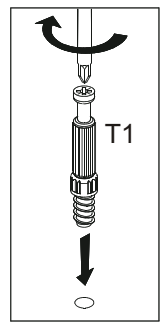
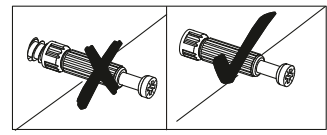
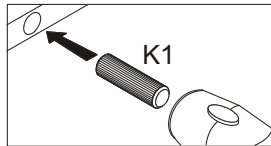
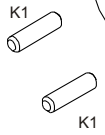
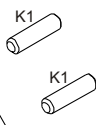
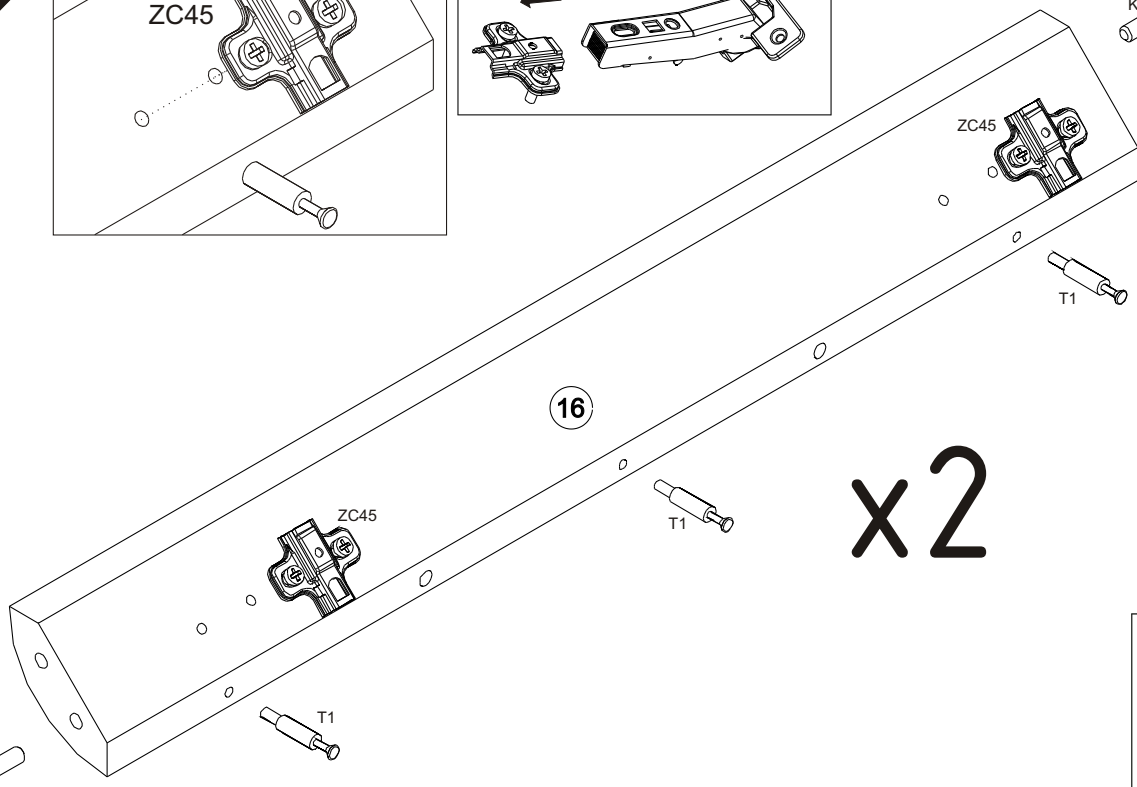
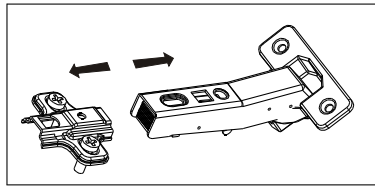
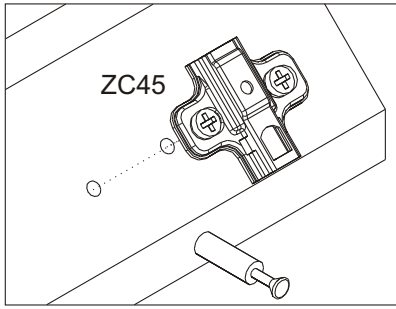
9	662x468	3/5			
8	1584x76	1/5	16	670x90.5	2/5
7	511x312	2/5	15	1595x681	1/5
6	670x359	2/5	14	355x502	1/5
5	670x359	2/5	14	355x502	1/5
4	670x335.5	2/5	13	487x124	1/5
3	670x335.5	2/5	12	350x136	1/5
2	1617x400	1/5	11	350x136	1/5
1	1617x400	1/5	10	540x218	3/5



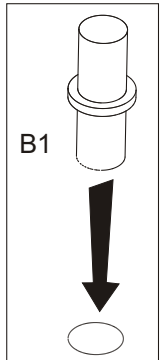
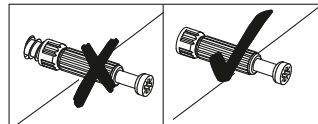
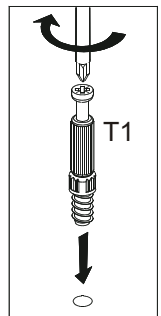
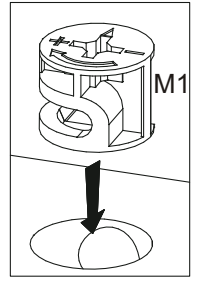
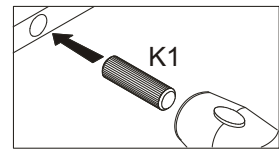
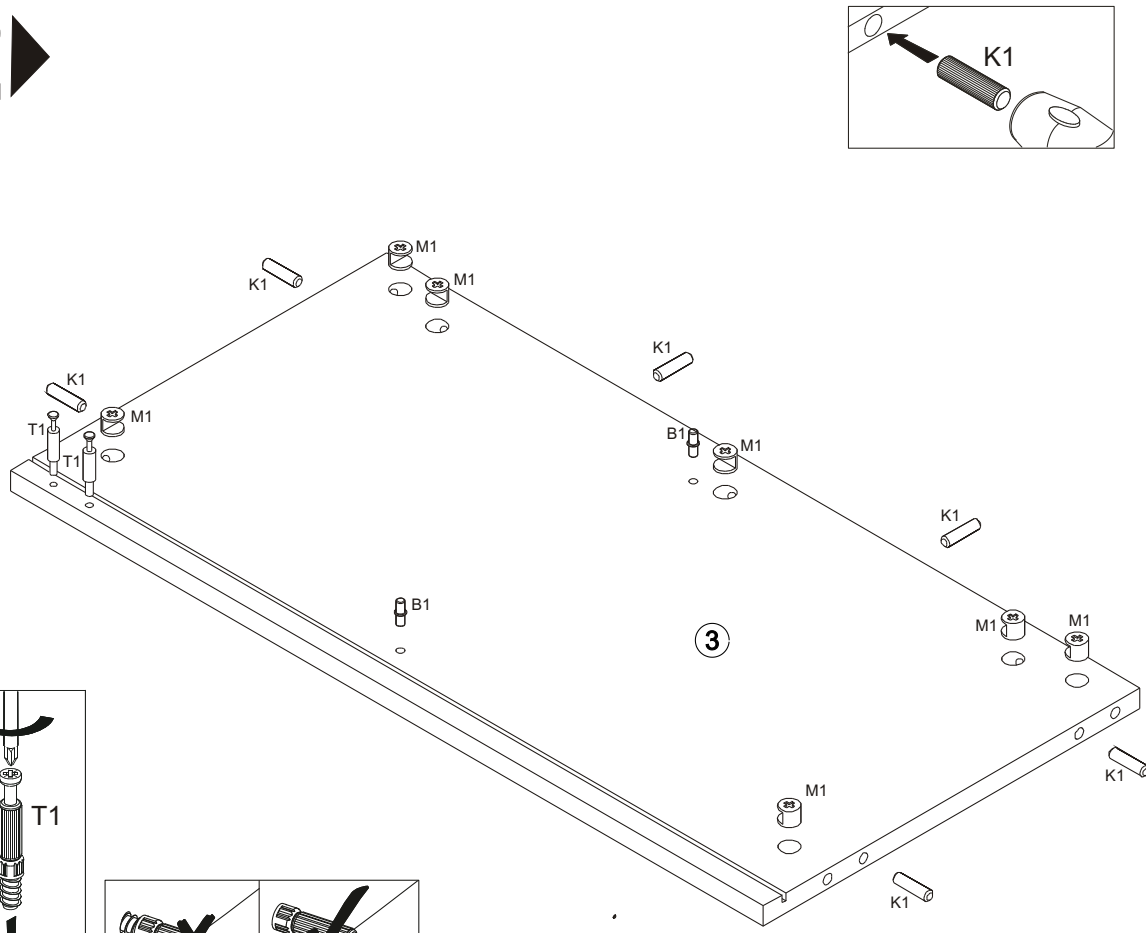




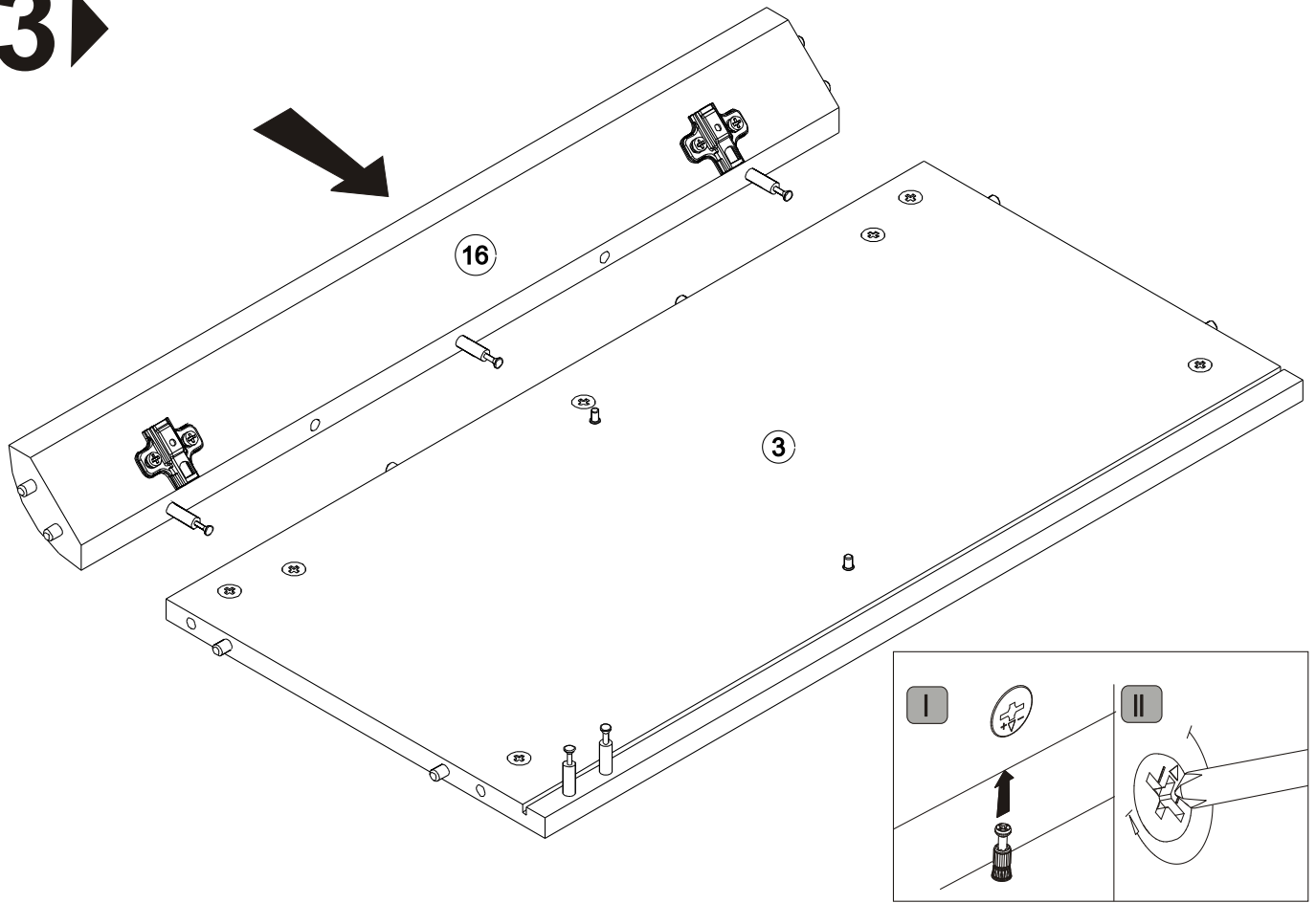
1



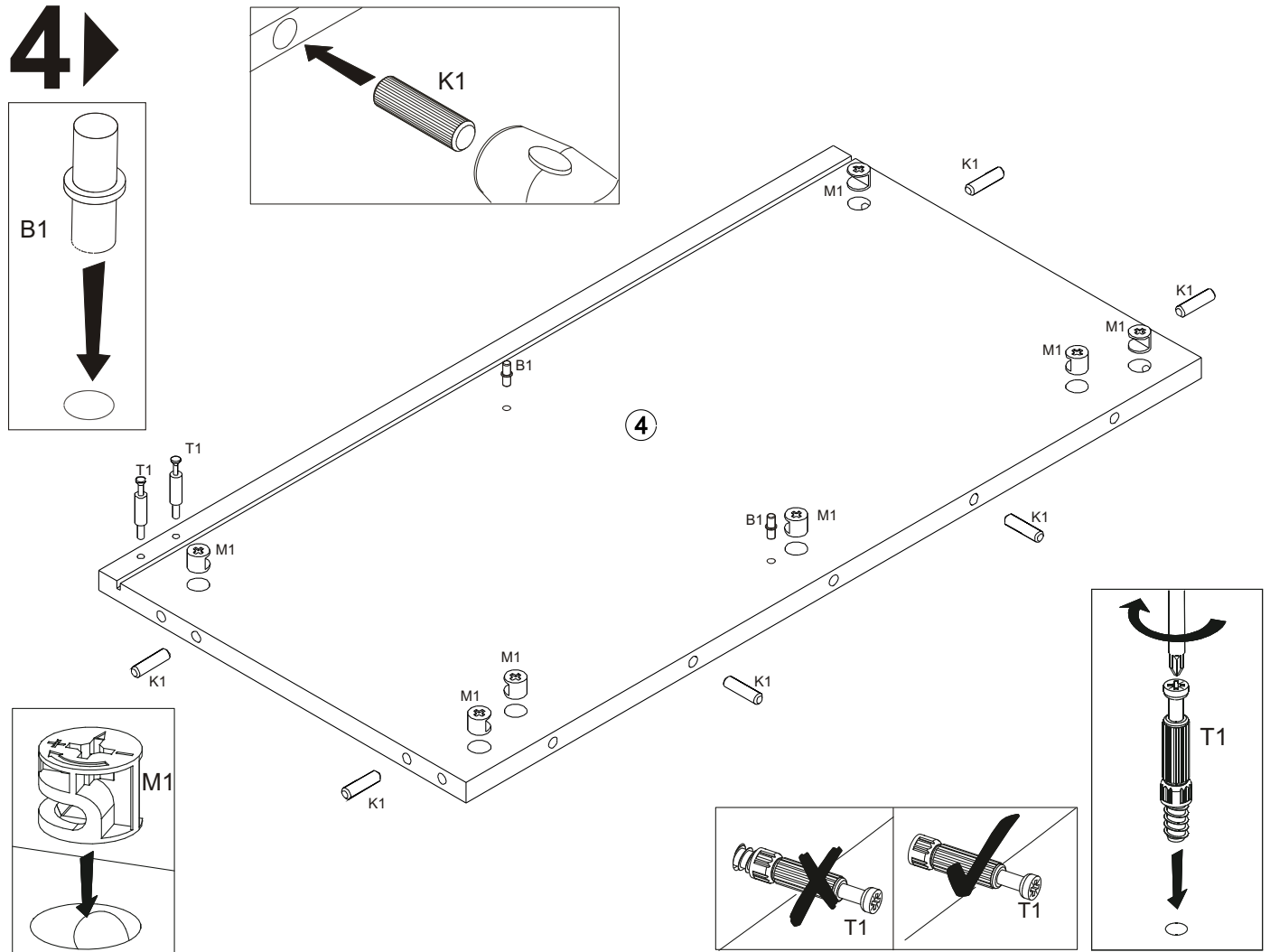
2



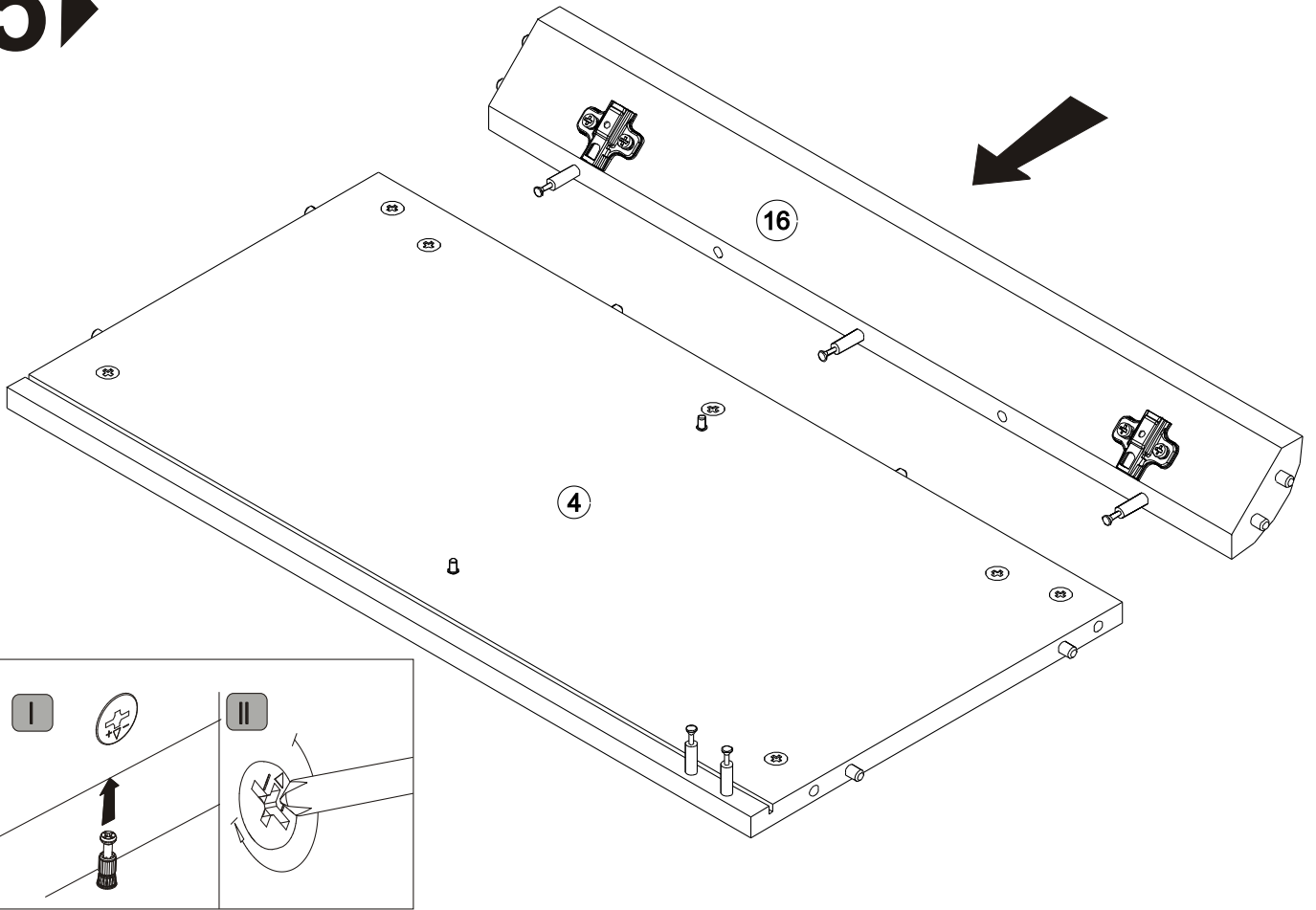
3 ▶



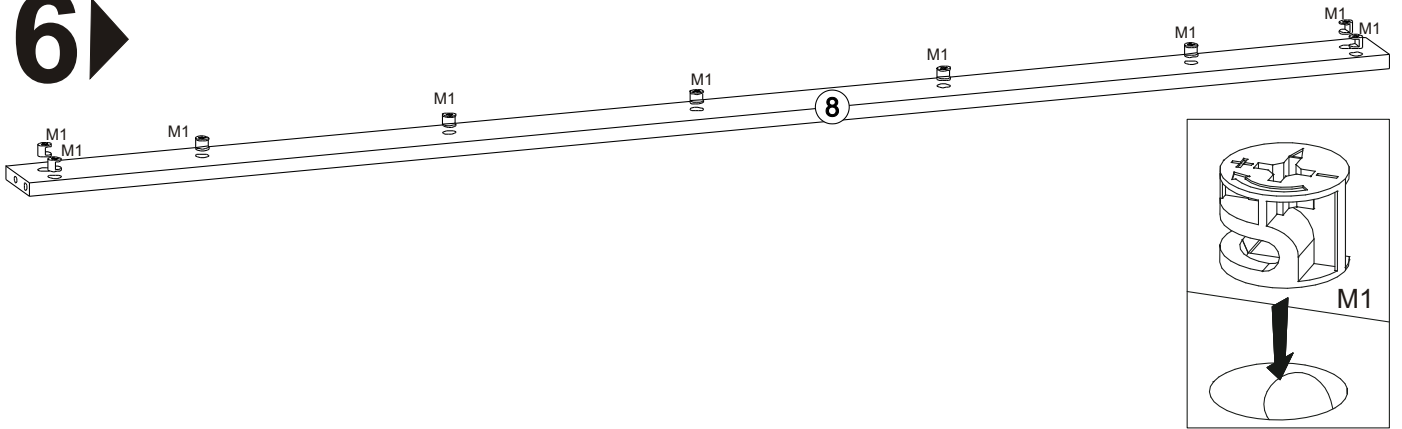
4 ▶



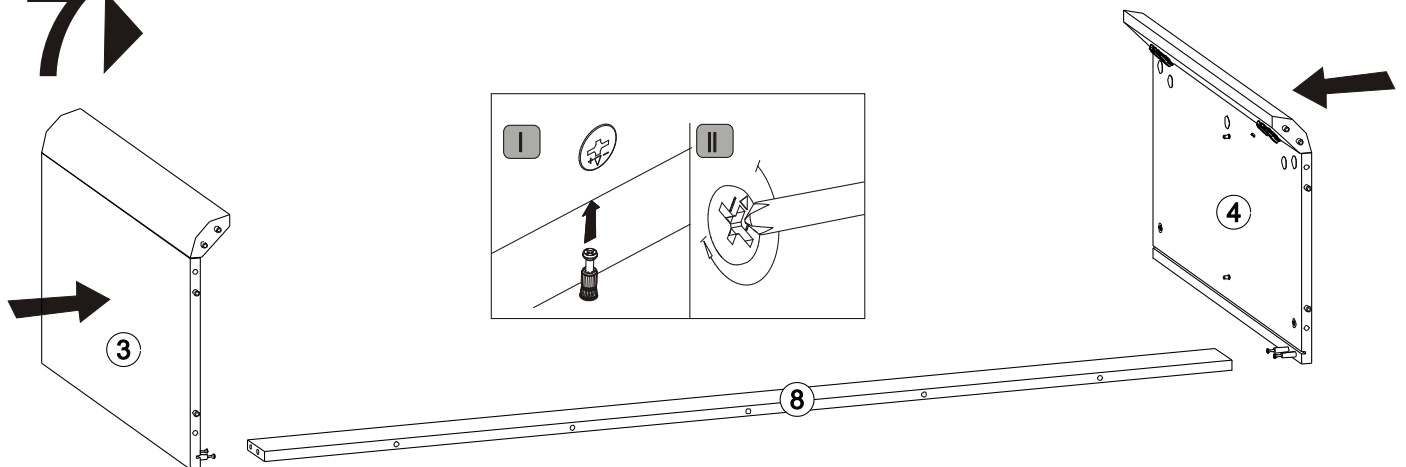
5 ▶



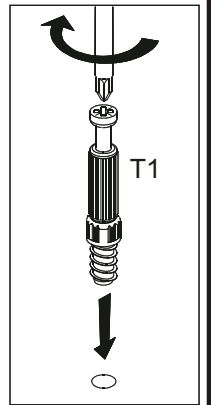
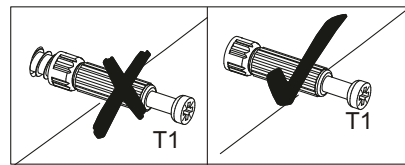
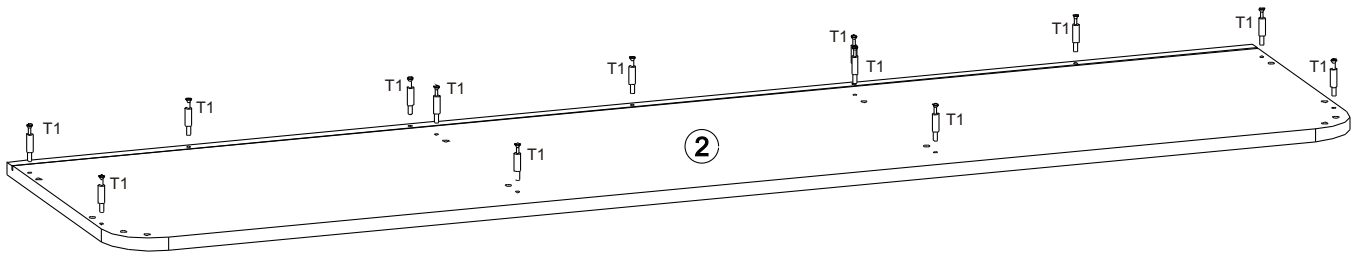
6 ▶



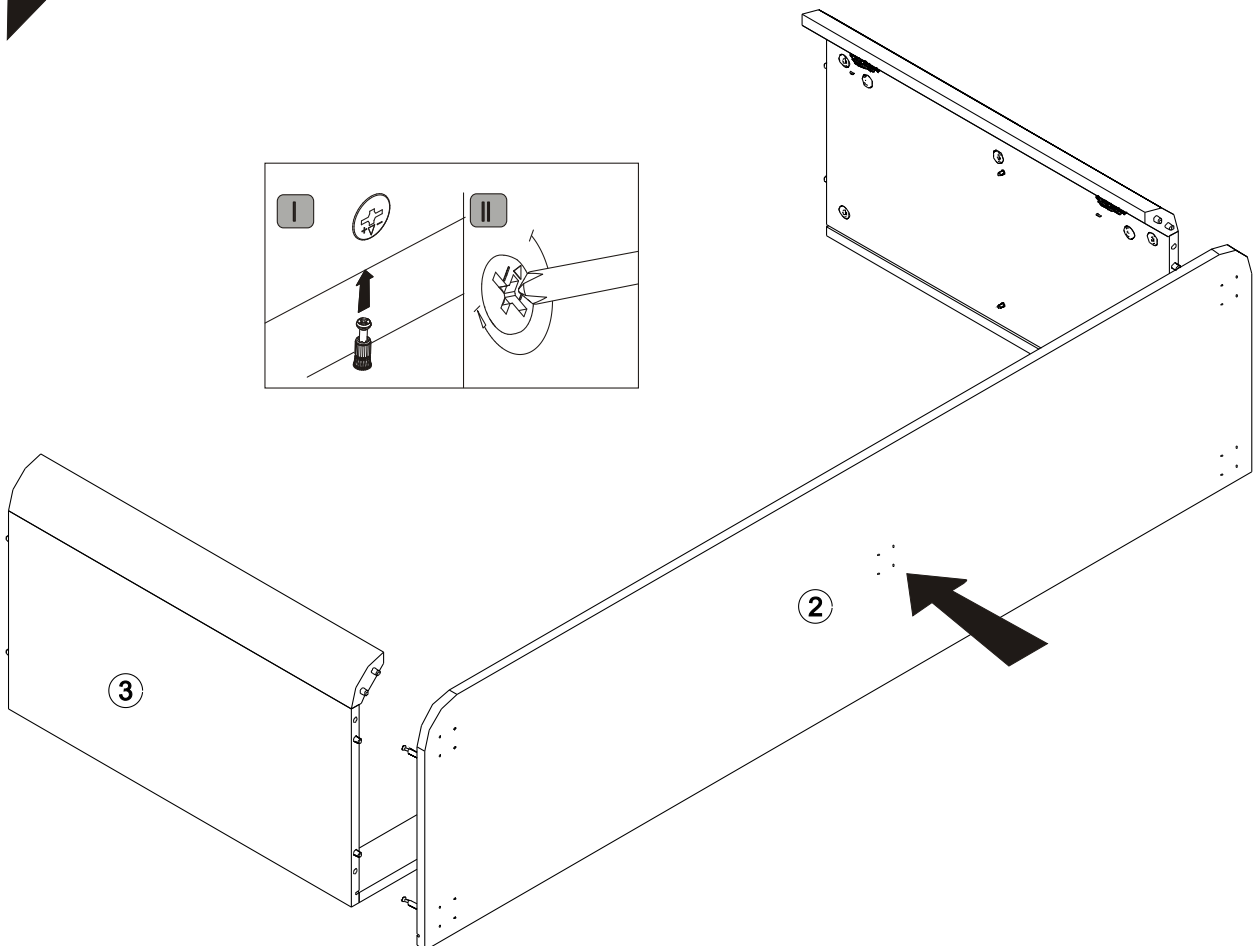
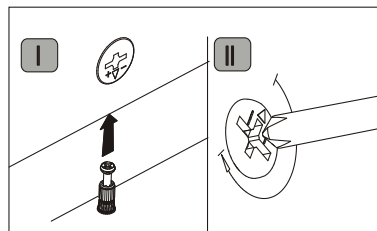
7 ▶



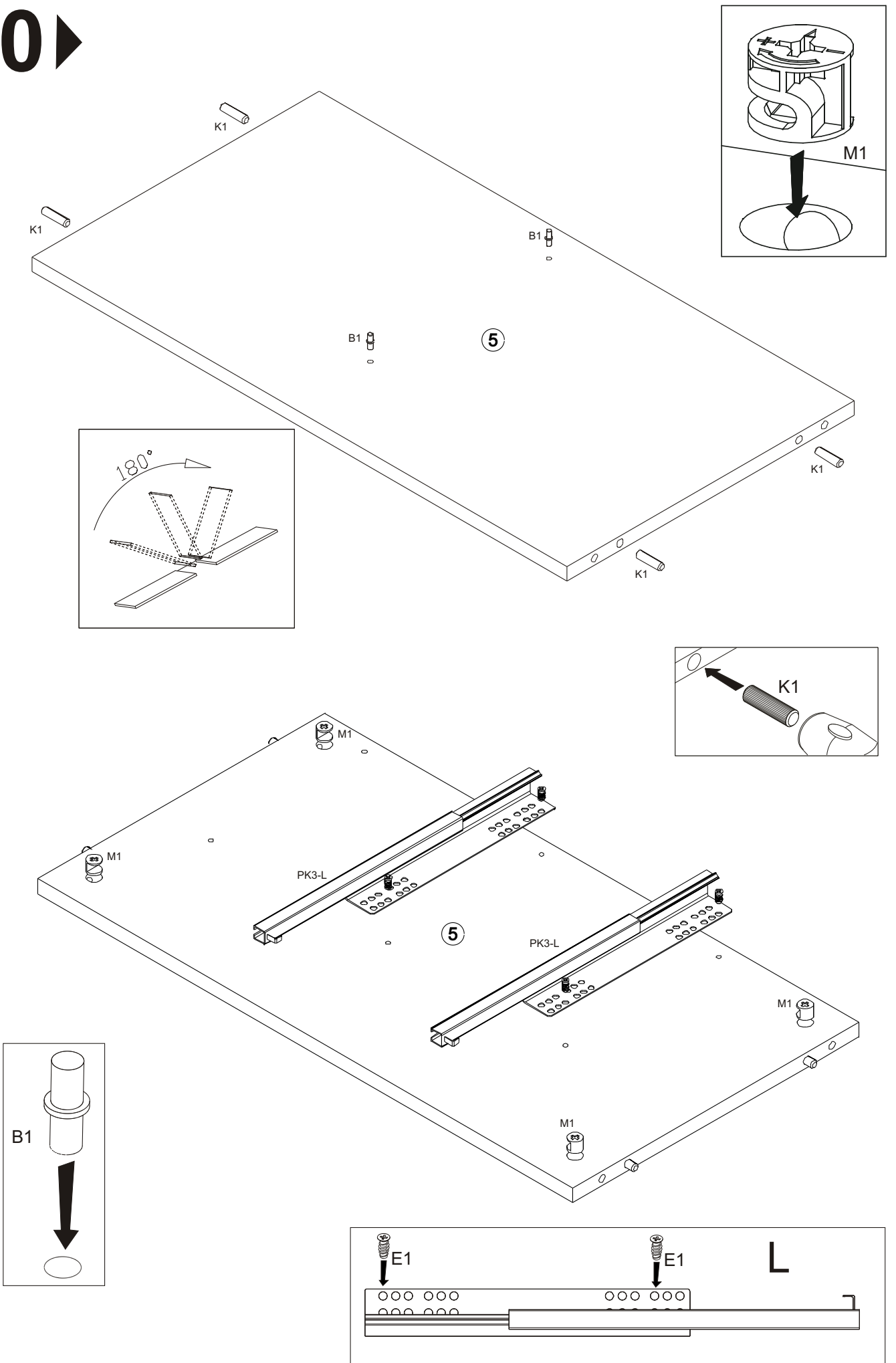
8 ▶



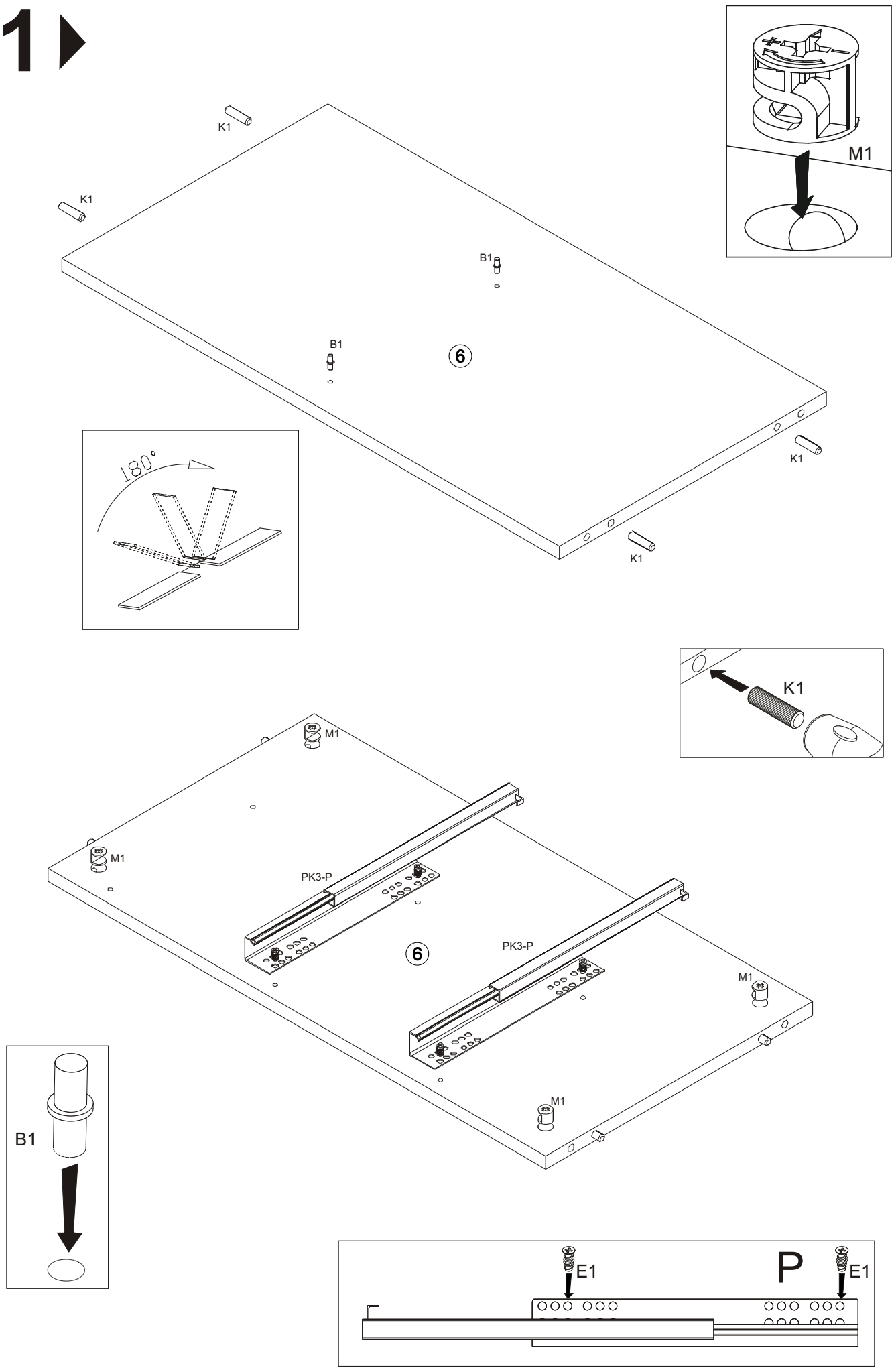
9 ▶



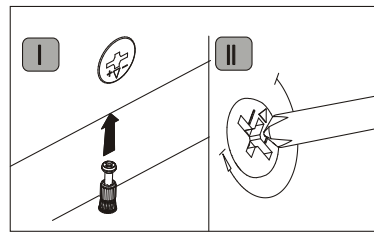
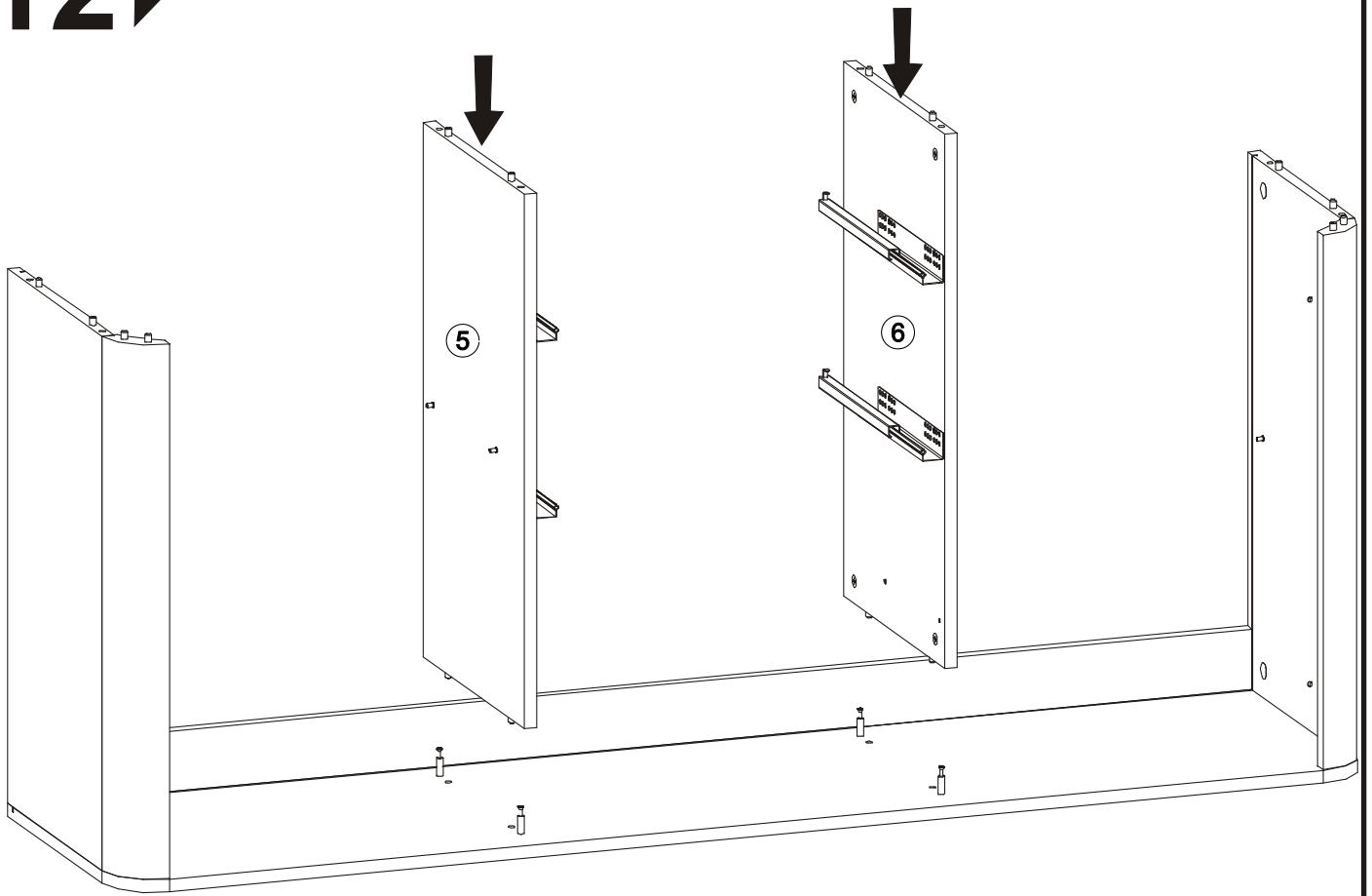
10 ▶



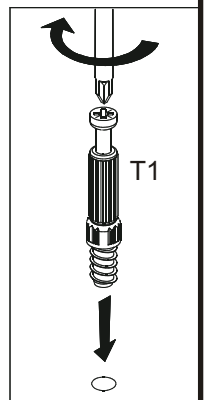
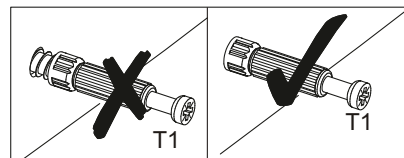
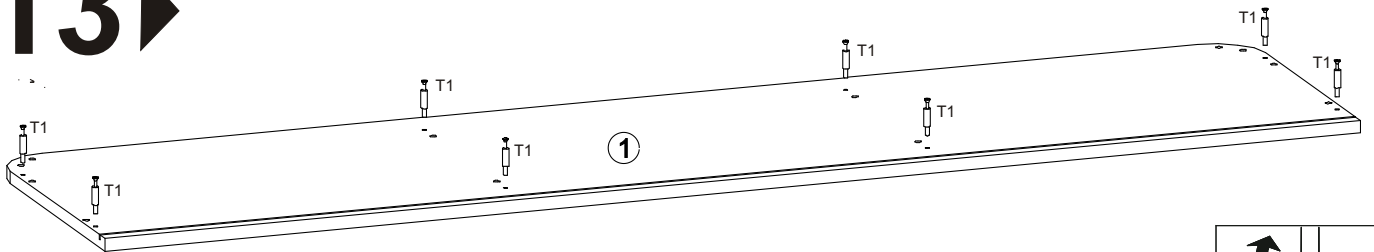
11 ▶



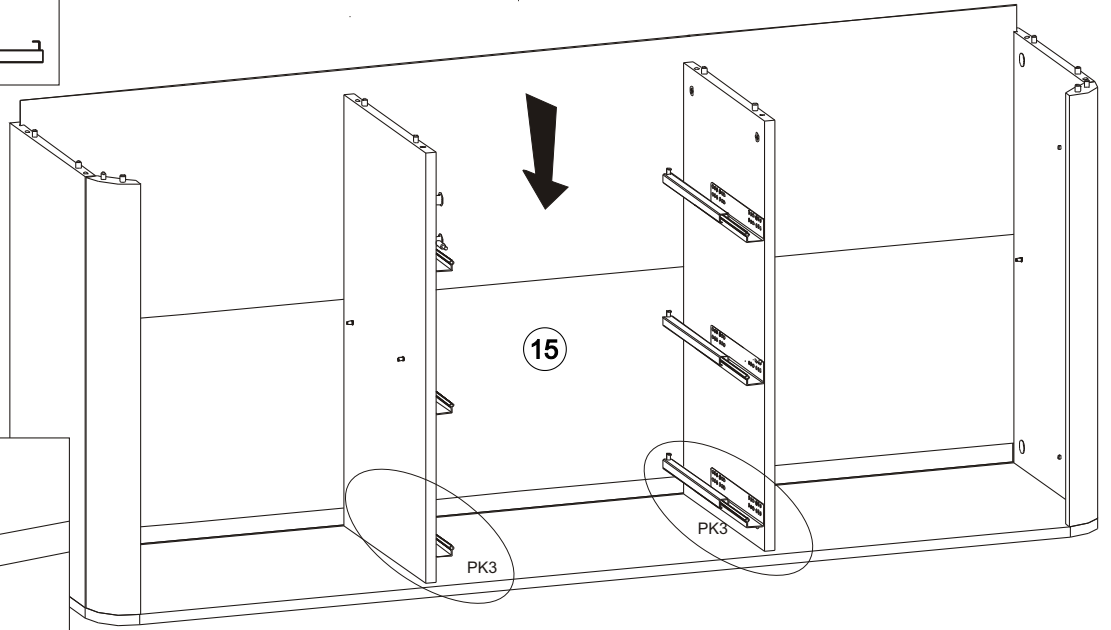
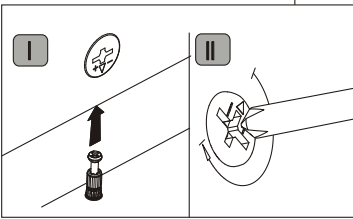
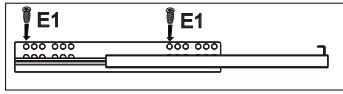
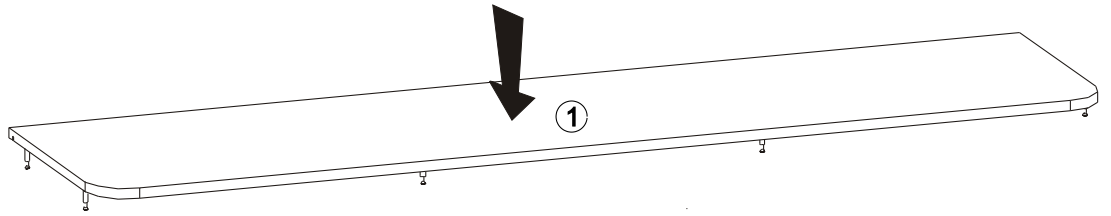
12 ▶



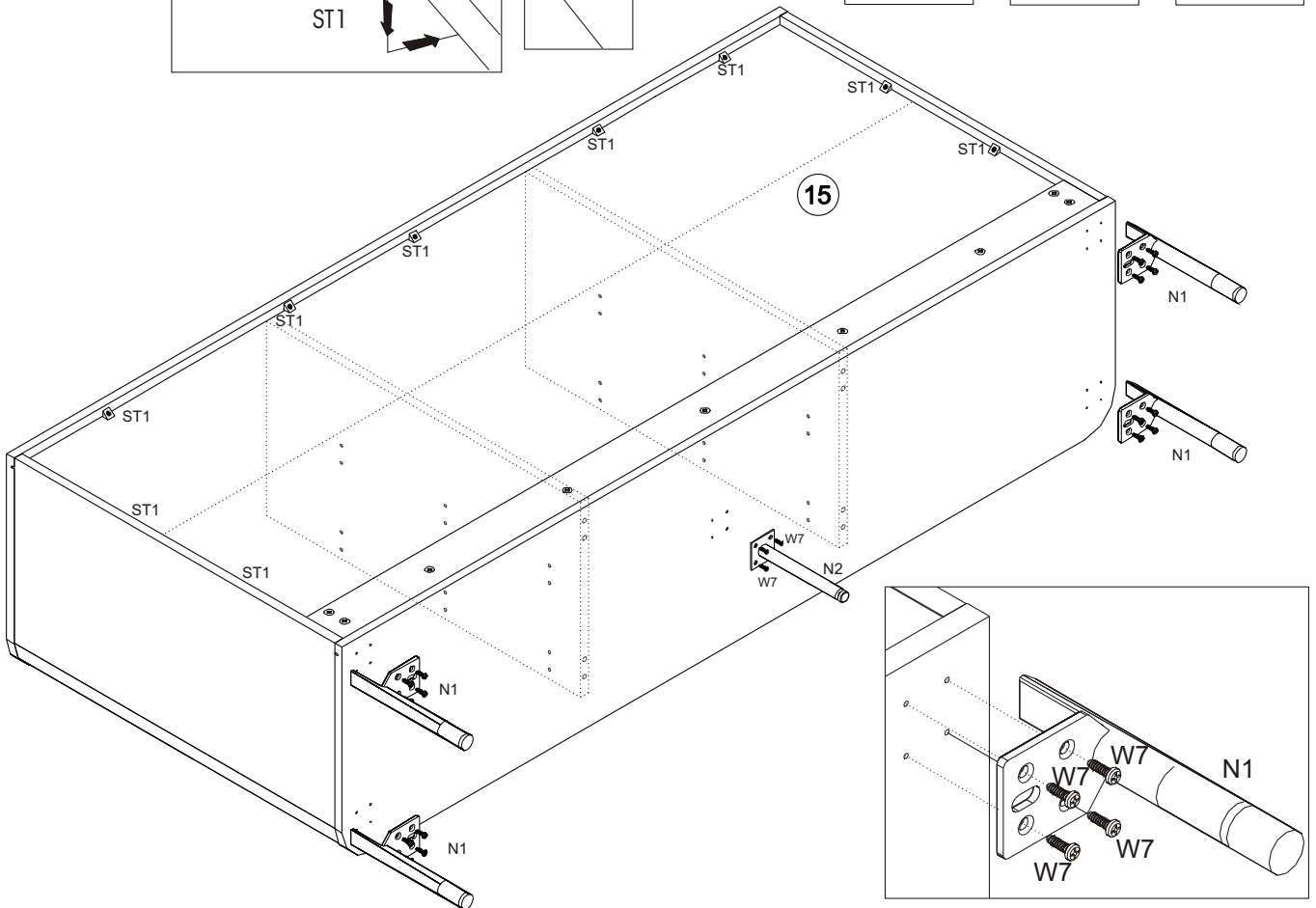
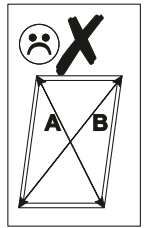
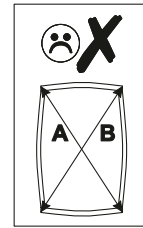
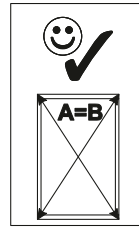
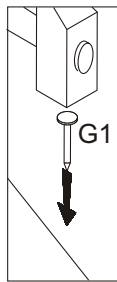
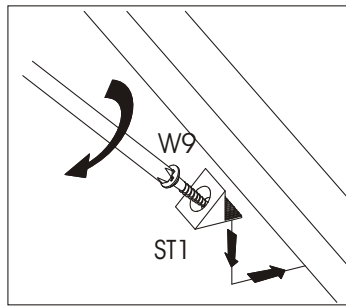
13 ▶



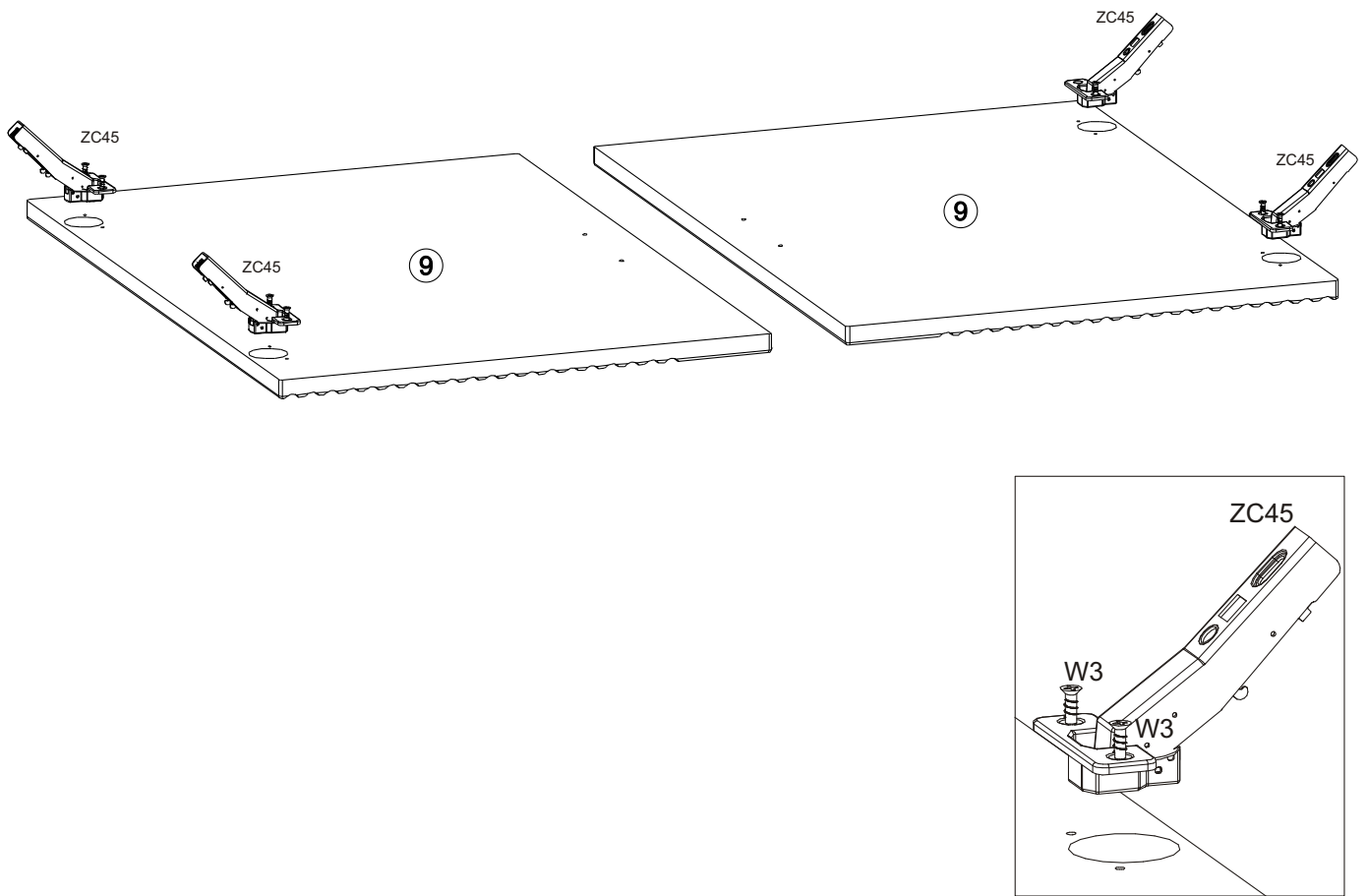
14



15



16 ▶



17 ▶

