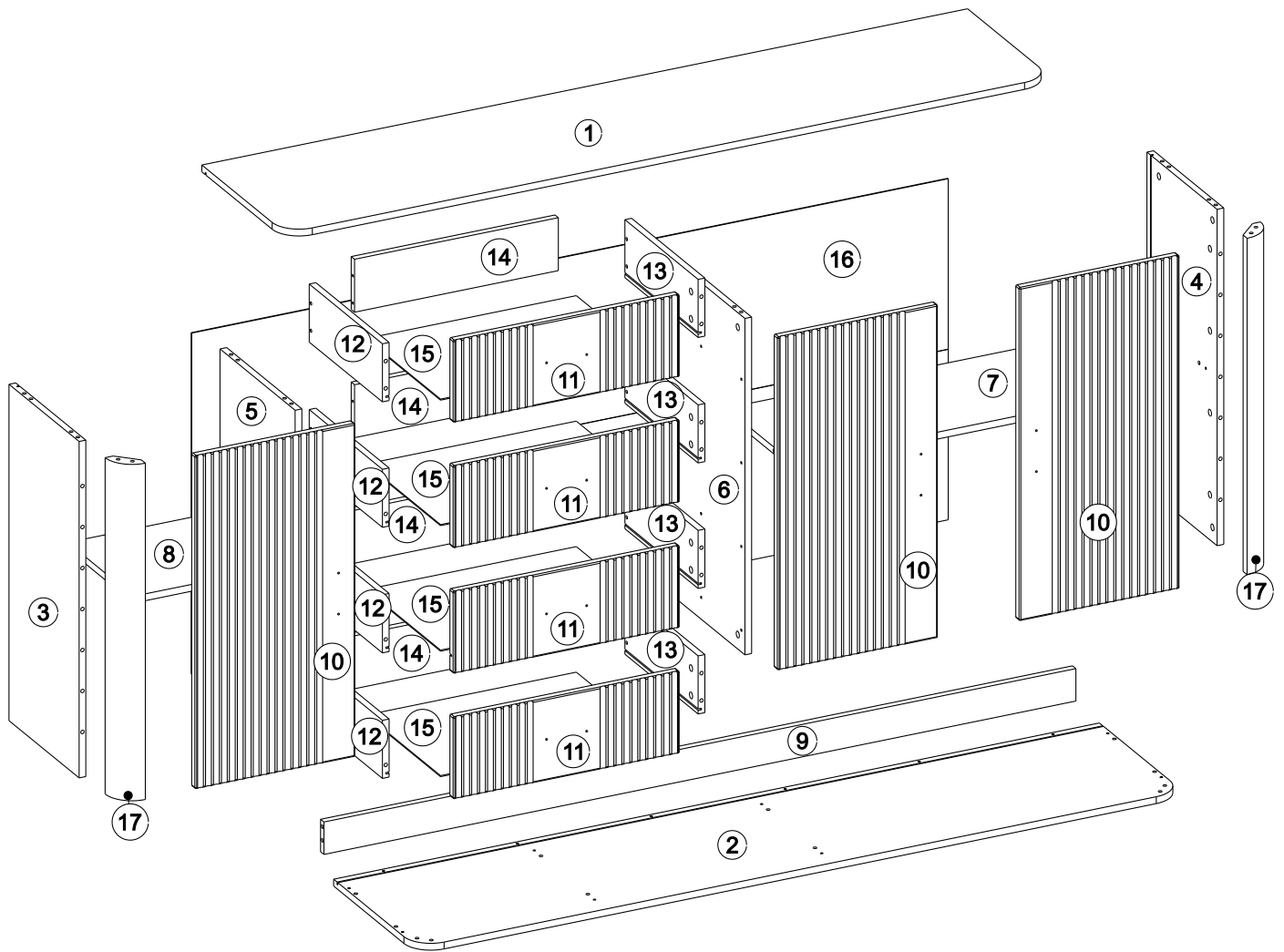
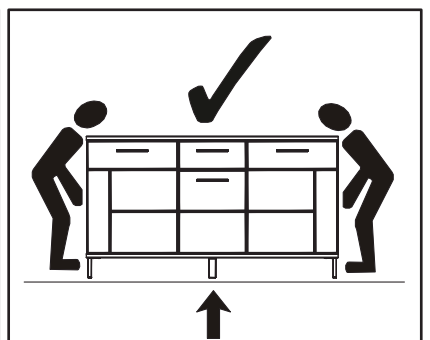
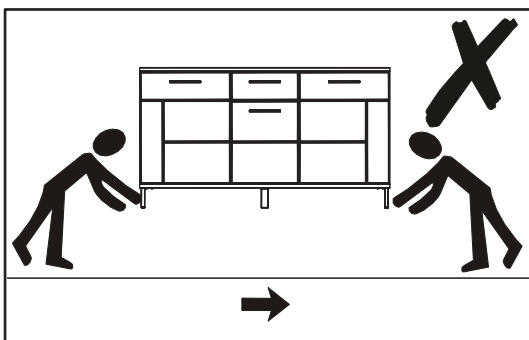
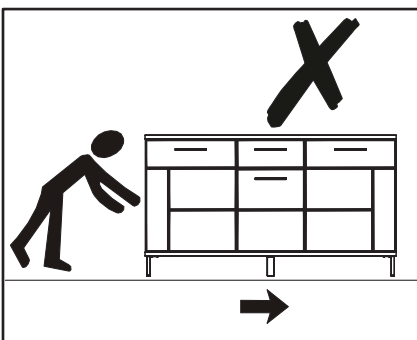
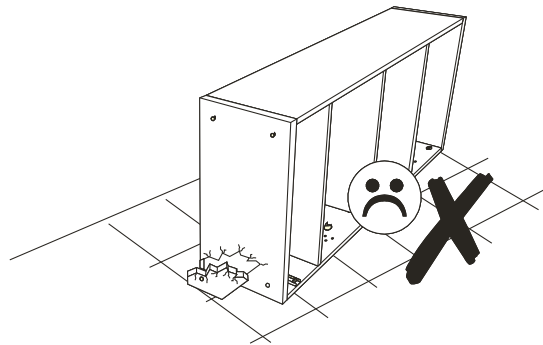
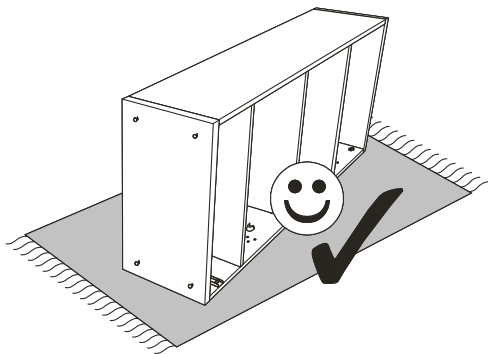
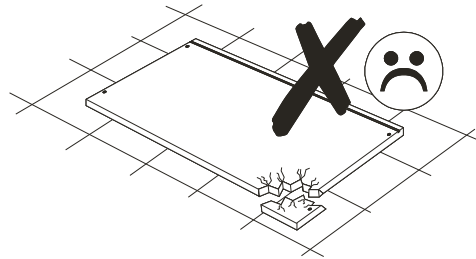
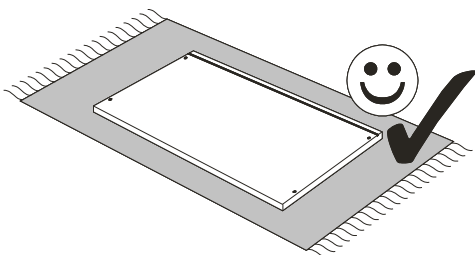
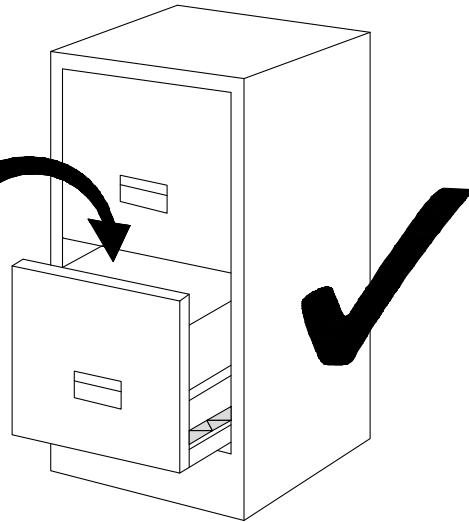
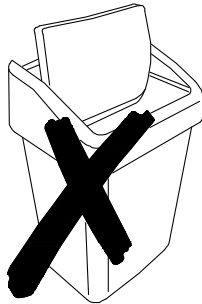
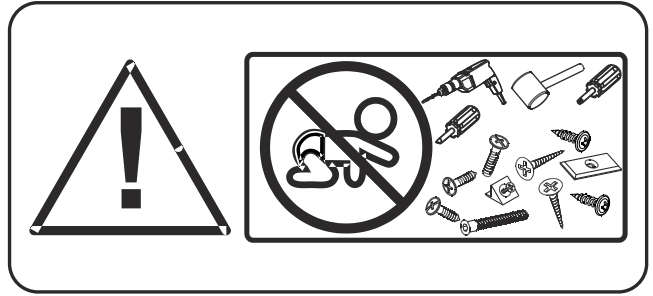
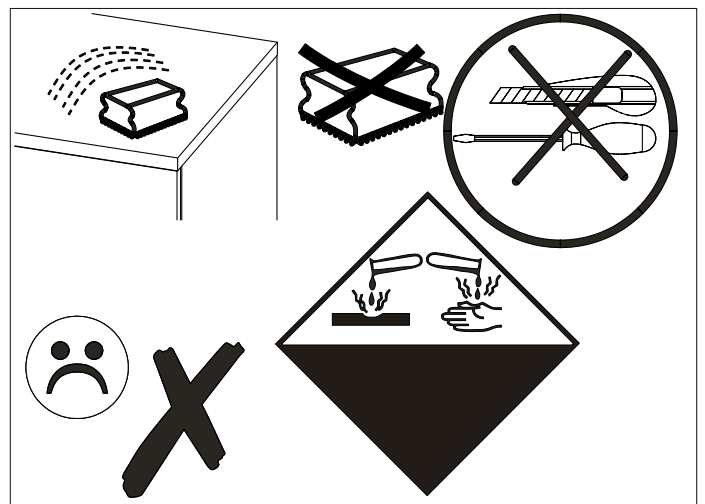
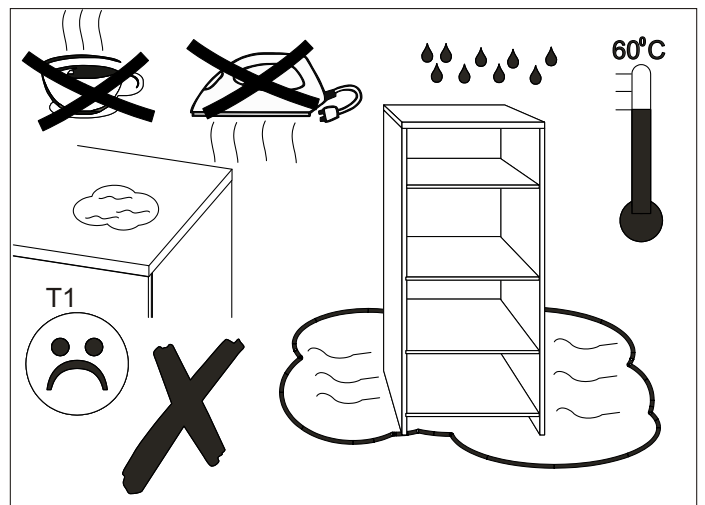
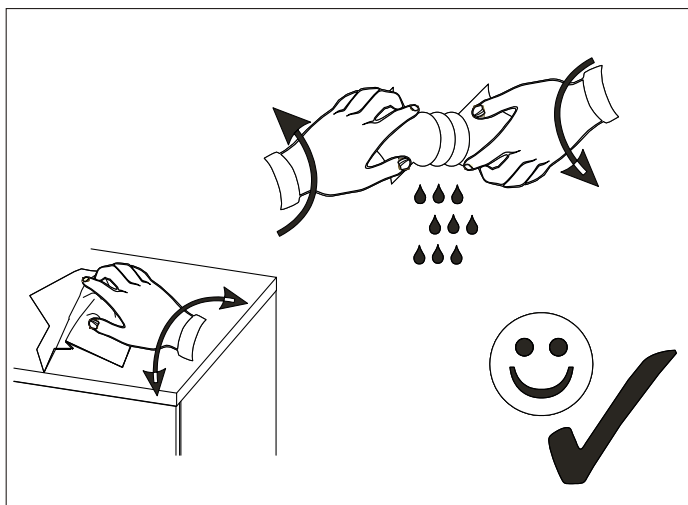
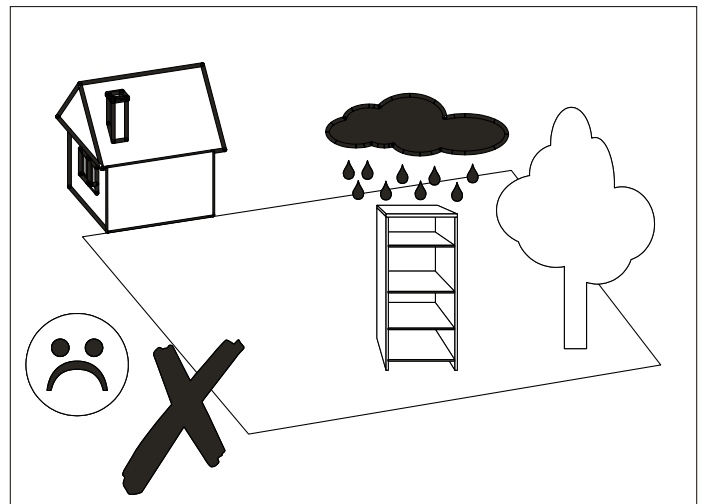
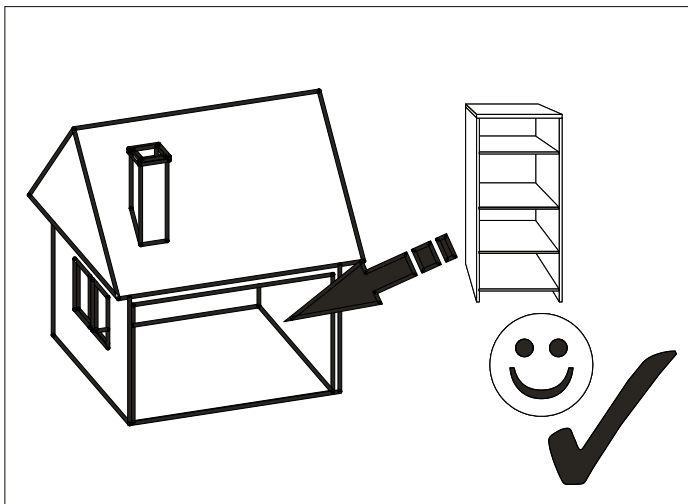


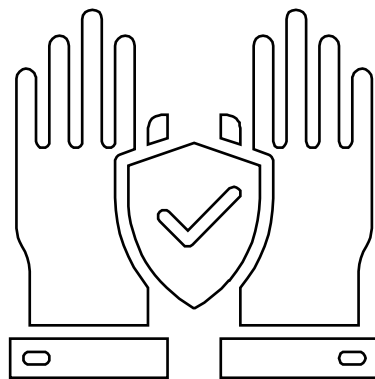
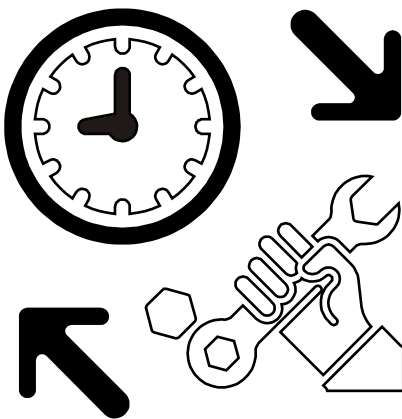
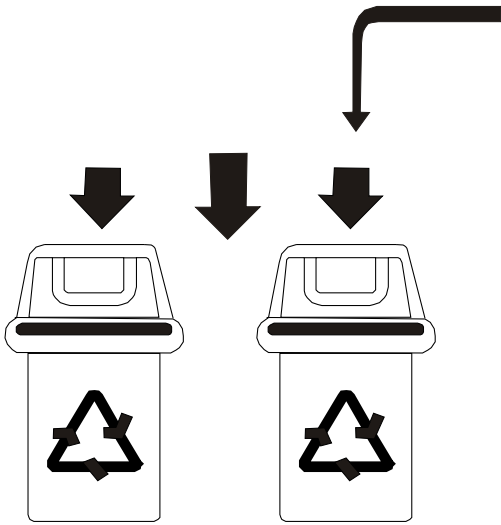
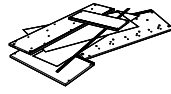
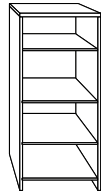
4x  ZC45	13x  3.5x13 W3	4x  B1	2x  ZC8	14x  M4x24 S4				
32x  #20/863 ZN1	1x  N2	11x  ST1	4x  #350L PK3	4x  #350P PK3	11x  3x20 W9	4x  N1	8x  3x16 W6	1x  H2
16x  6.4x50 K5	34x  8x30 K1	7x  U1	1x  K20	53x  #15/15 M1	53x  DU232T T1	20x  4.5x16 W7	36x  2x20 G1	16x  6x12 E1



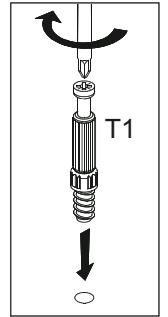
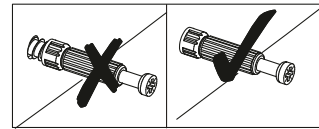
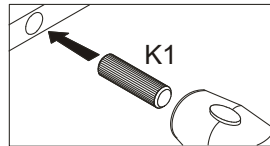
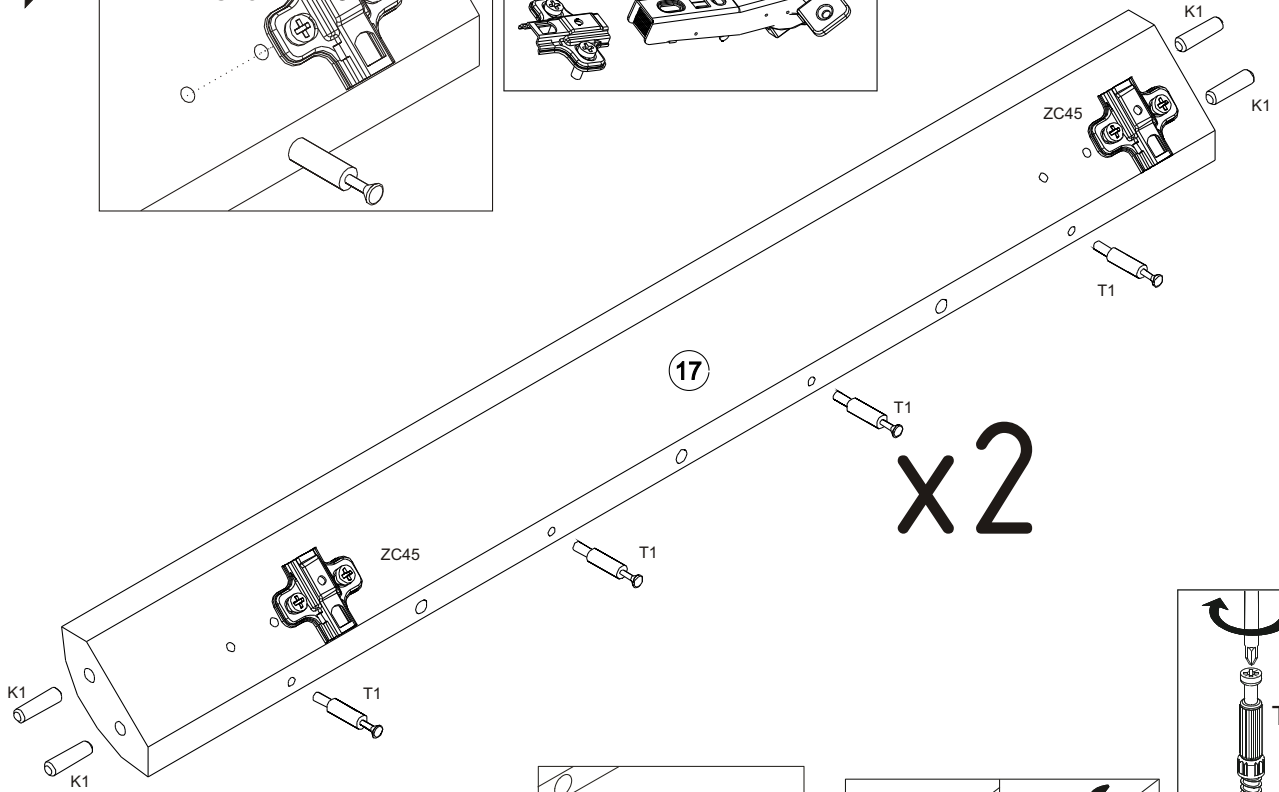
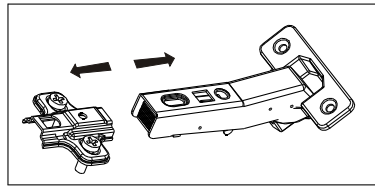
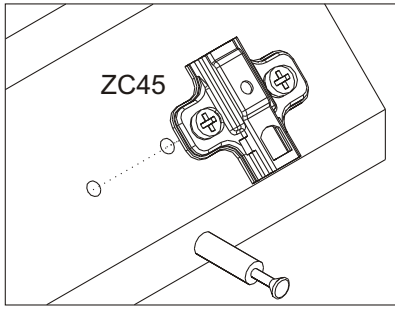
9	1797x76	1/5			
8	425x315	2/5	17	788x90.5	2/5
7	811.5x312	2/5	16	1808x799	1/5
6	788x359	2/5	15	355x502	1/5
5	788x359	2/5	14	487x124	1/5
4	788x335.5	2/5	13	350x136	1/5
3	788x335.5	2/5	12	350x136	1/5
2	1830x400	1/5	11	540x192	3/5
1	1830x400	1/5	10	780x382	3/5



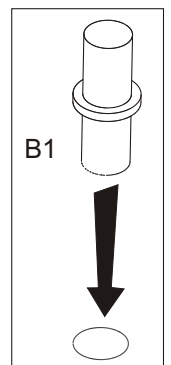
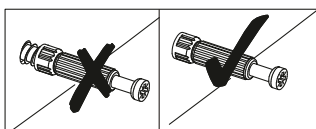
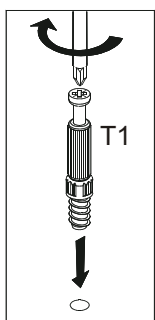
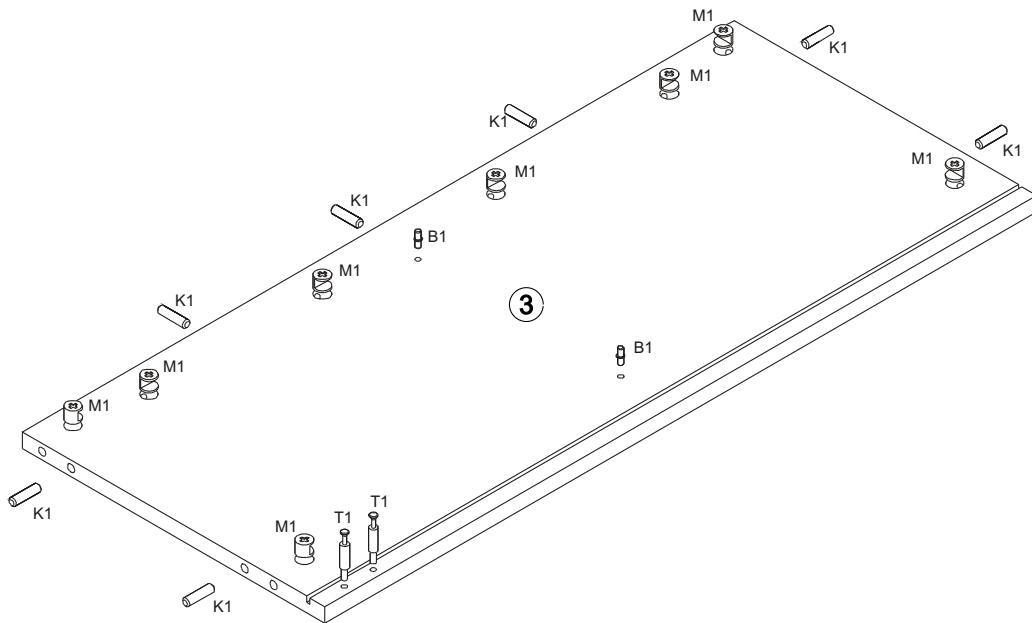
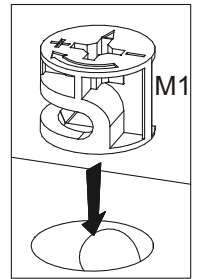
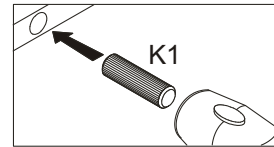




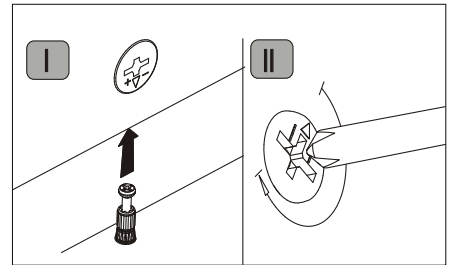
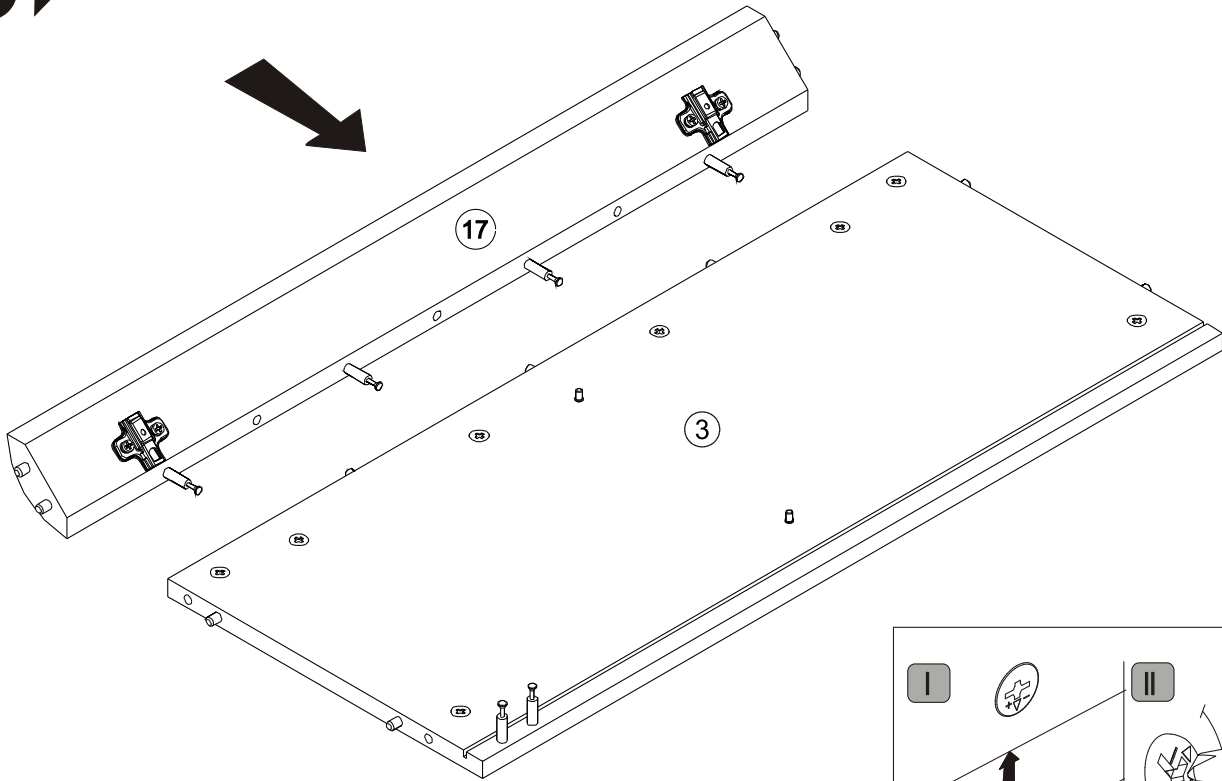
1



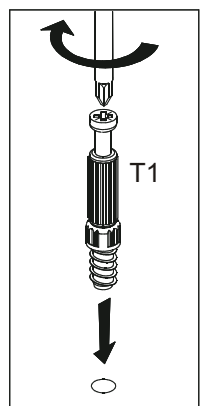
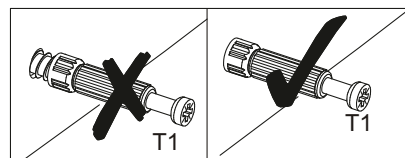
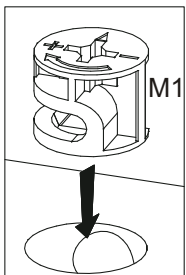
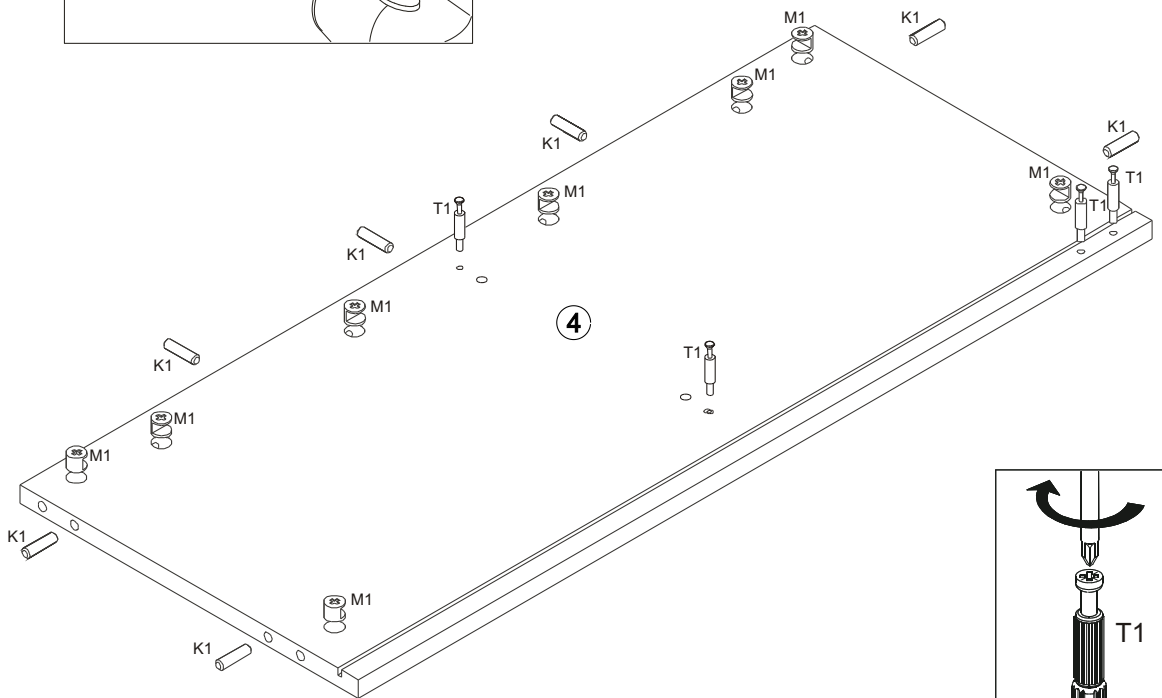
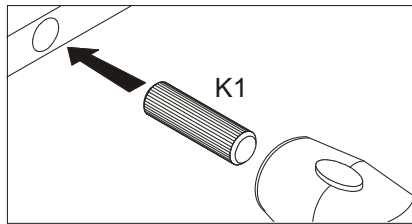
2



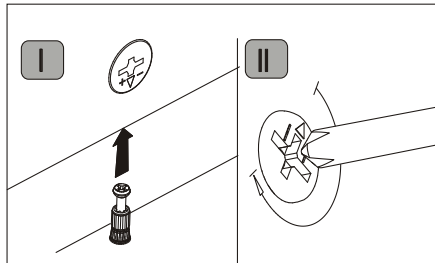
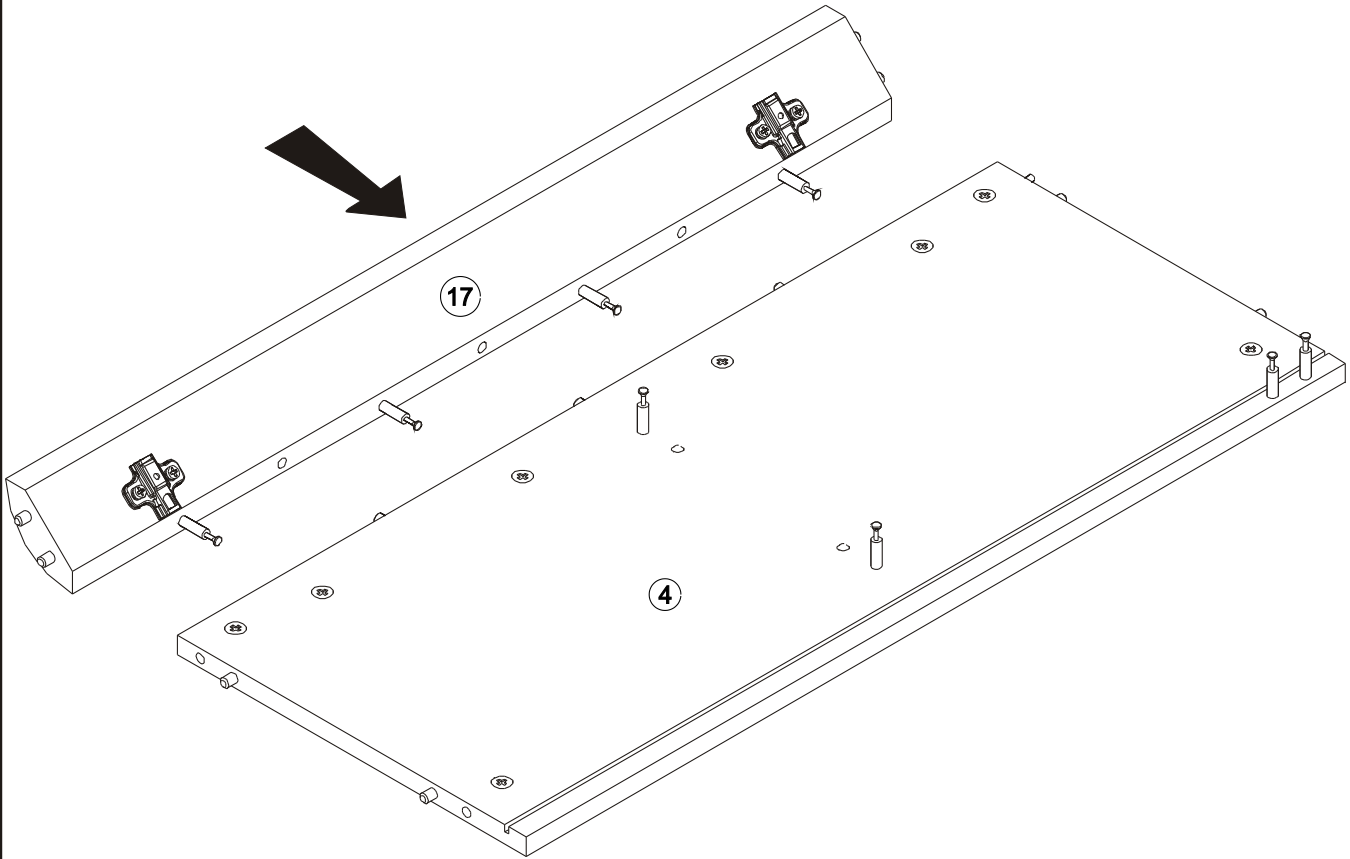
# 3 ▶



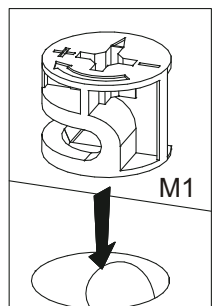
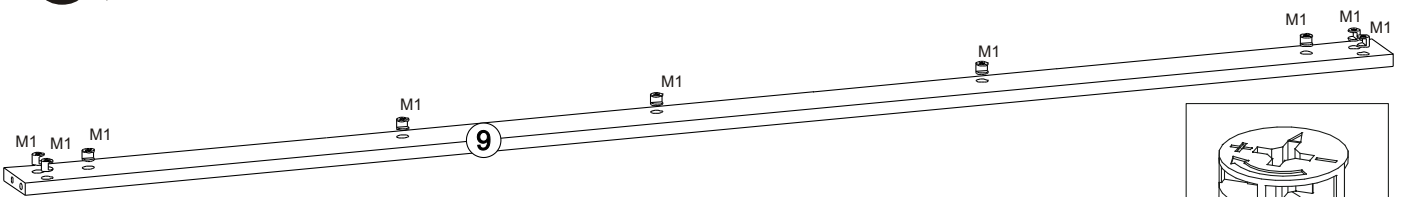
# 4 ▶



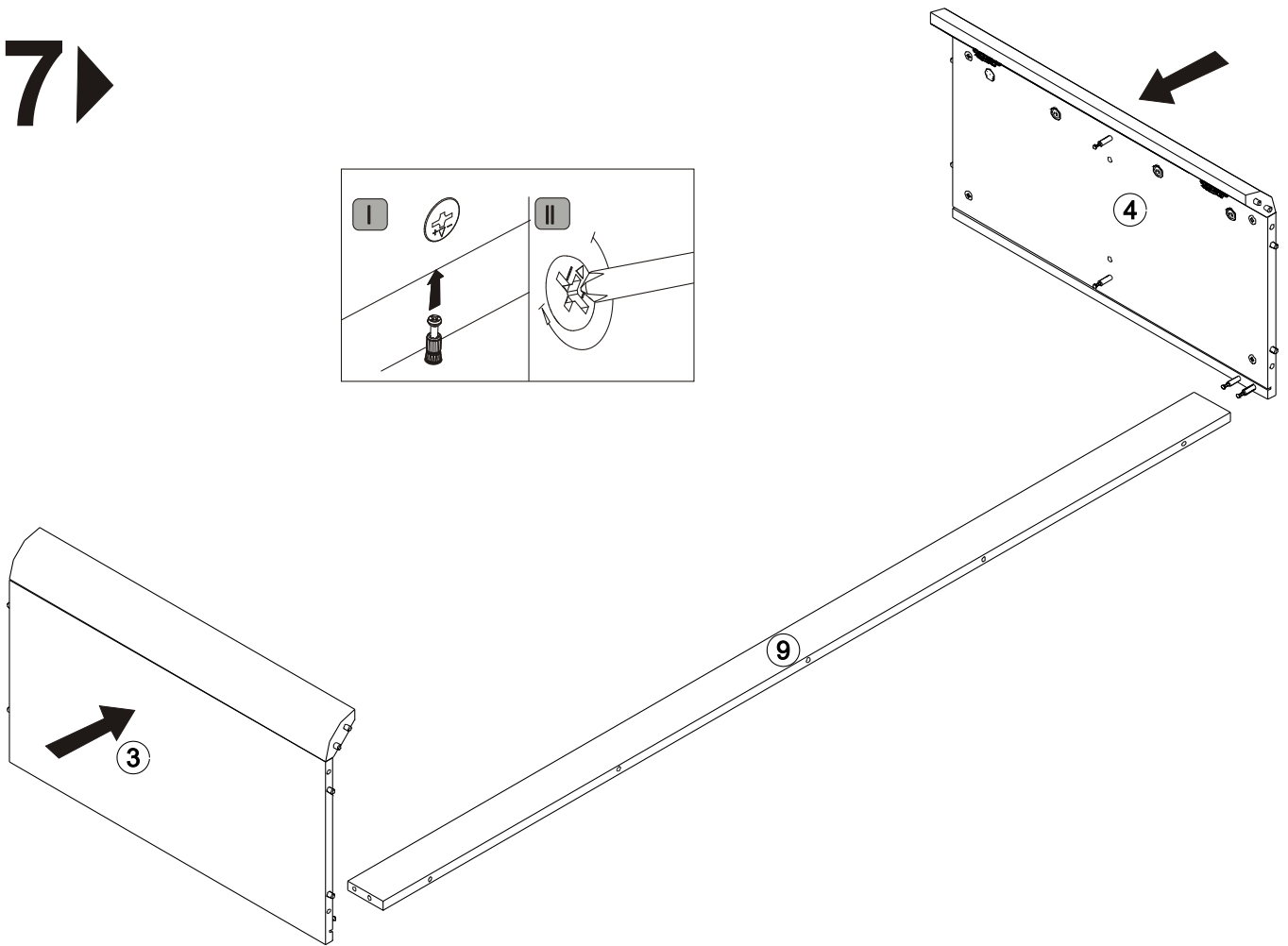
5 ▶



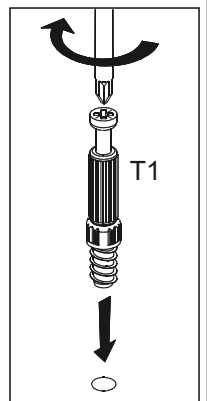
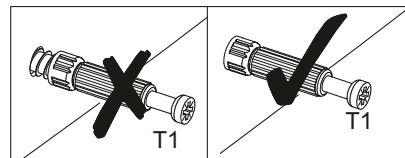
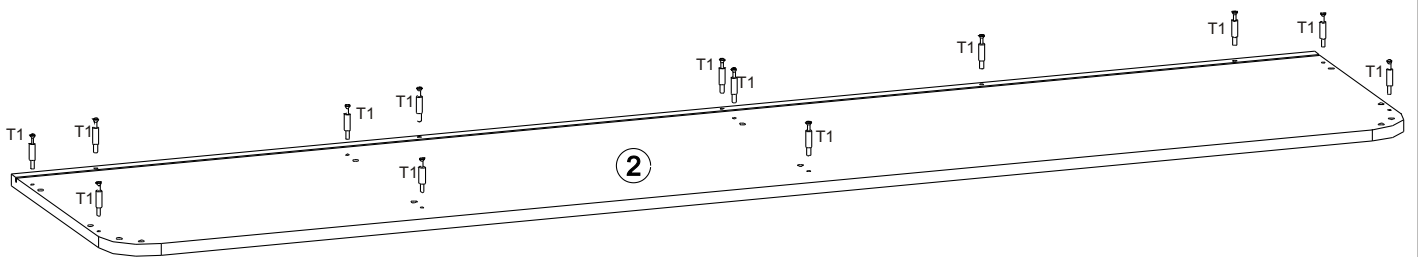
6 ▶



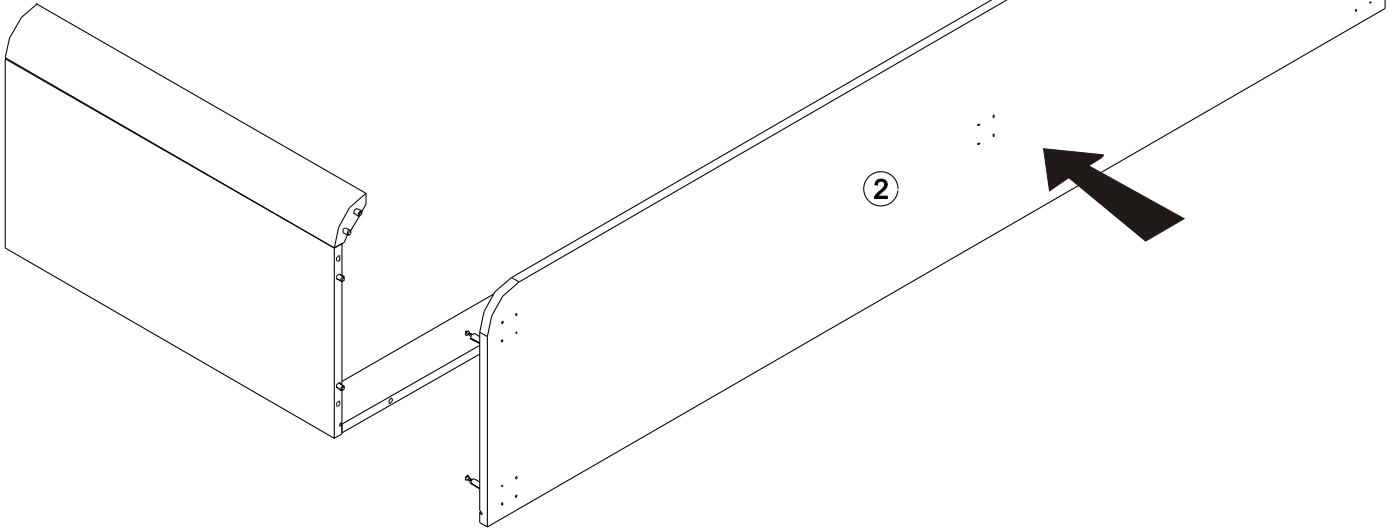
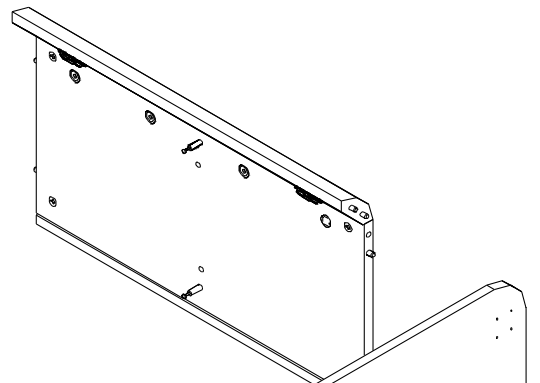
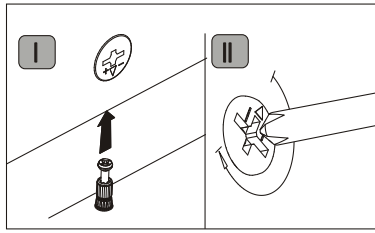
# 7



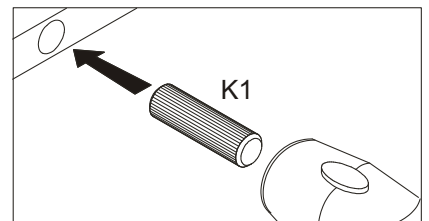
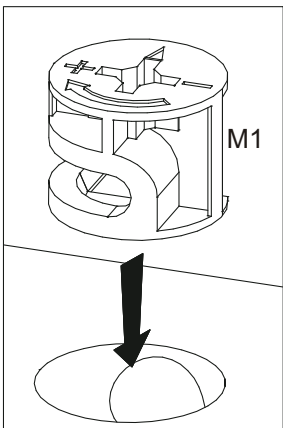
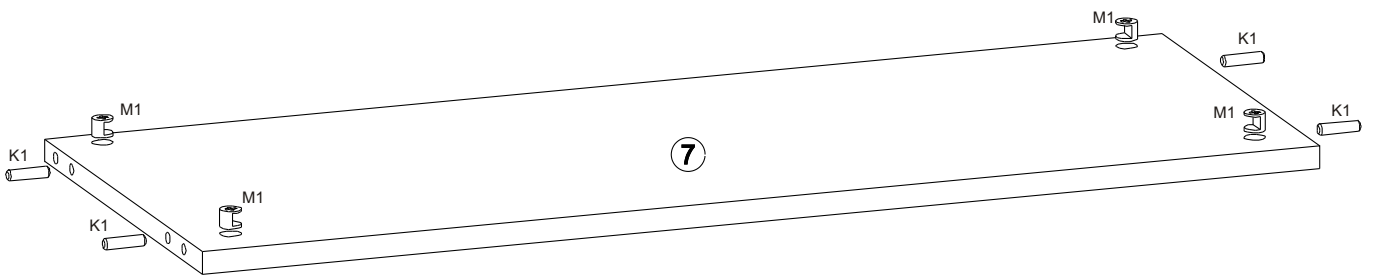
# 8



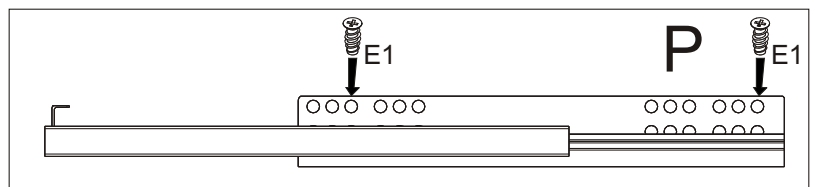
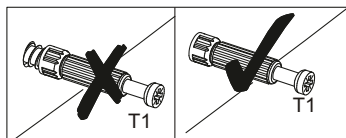
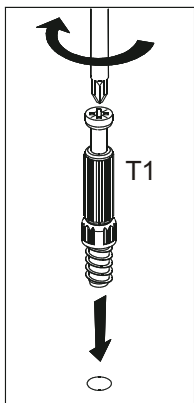
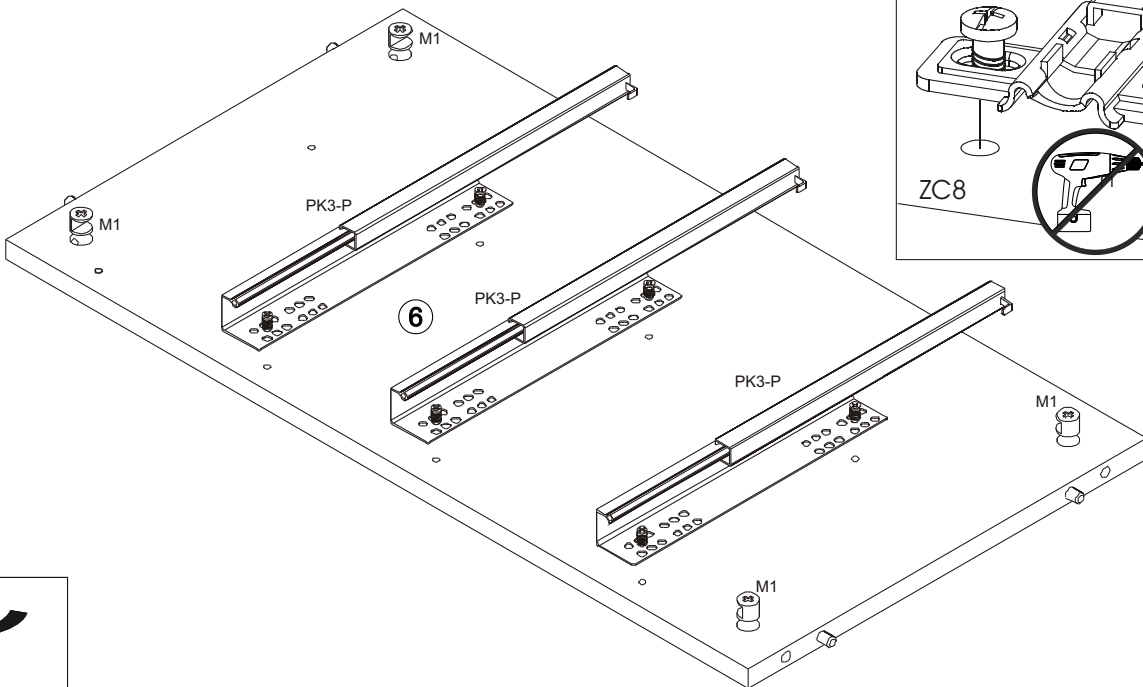
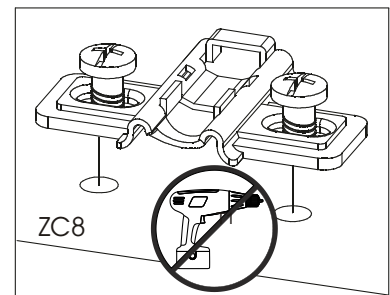
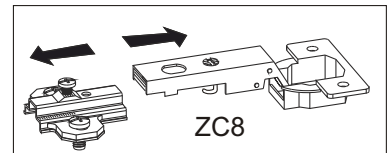
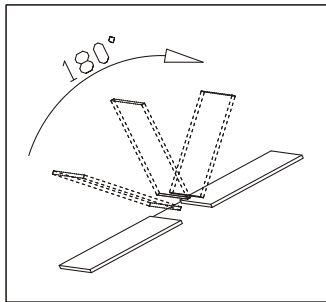
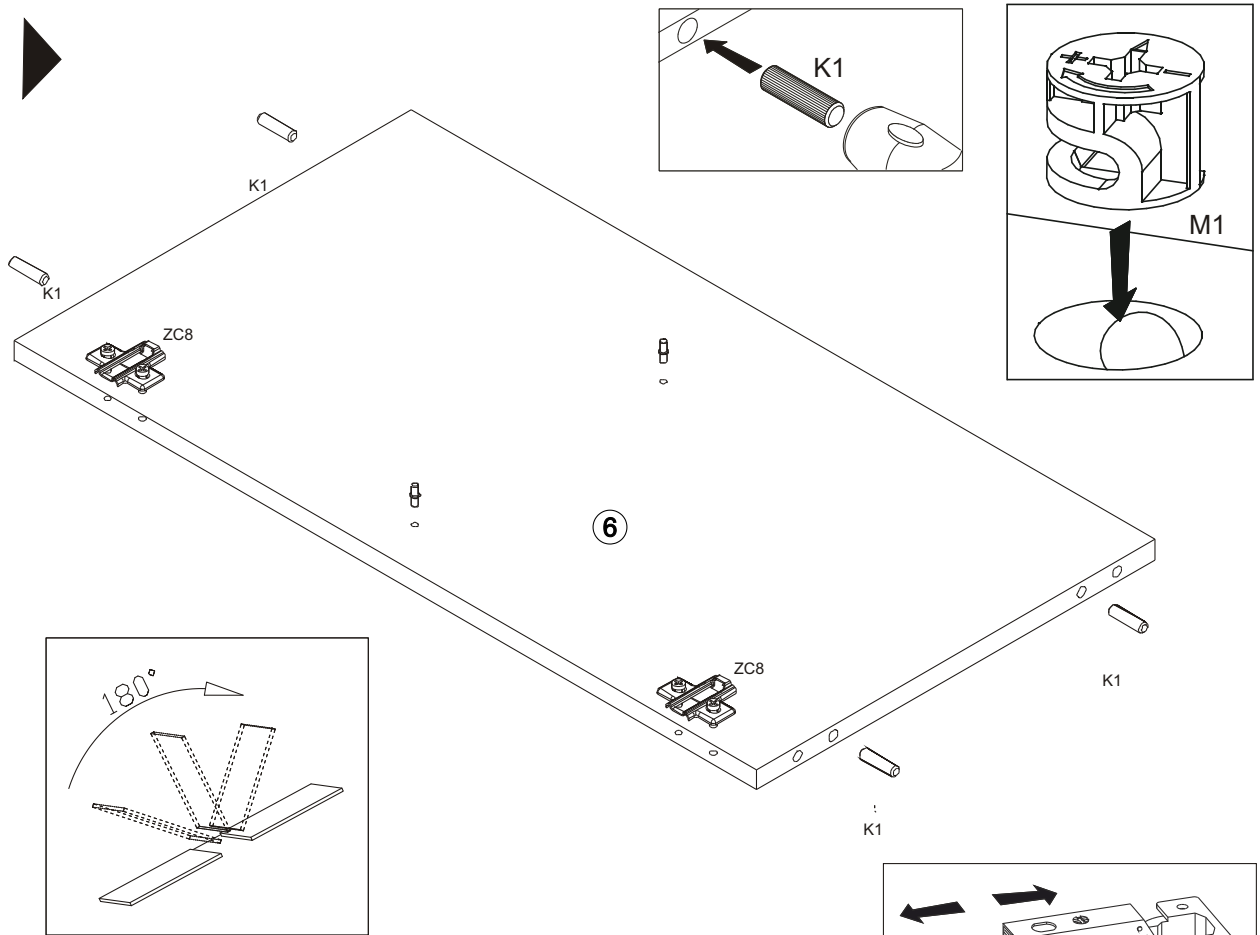
# 9 ▶



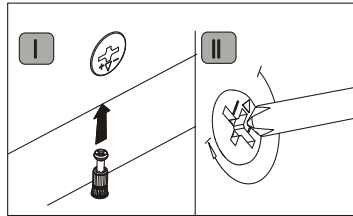
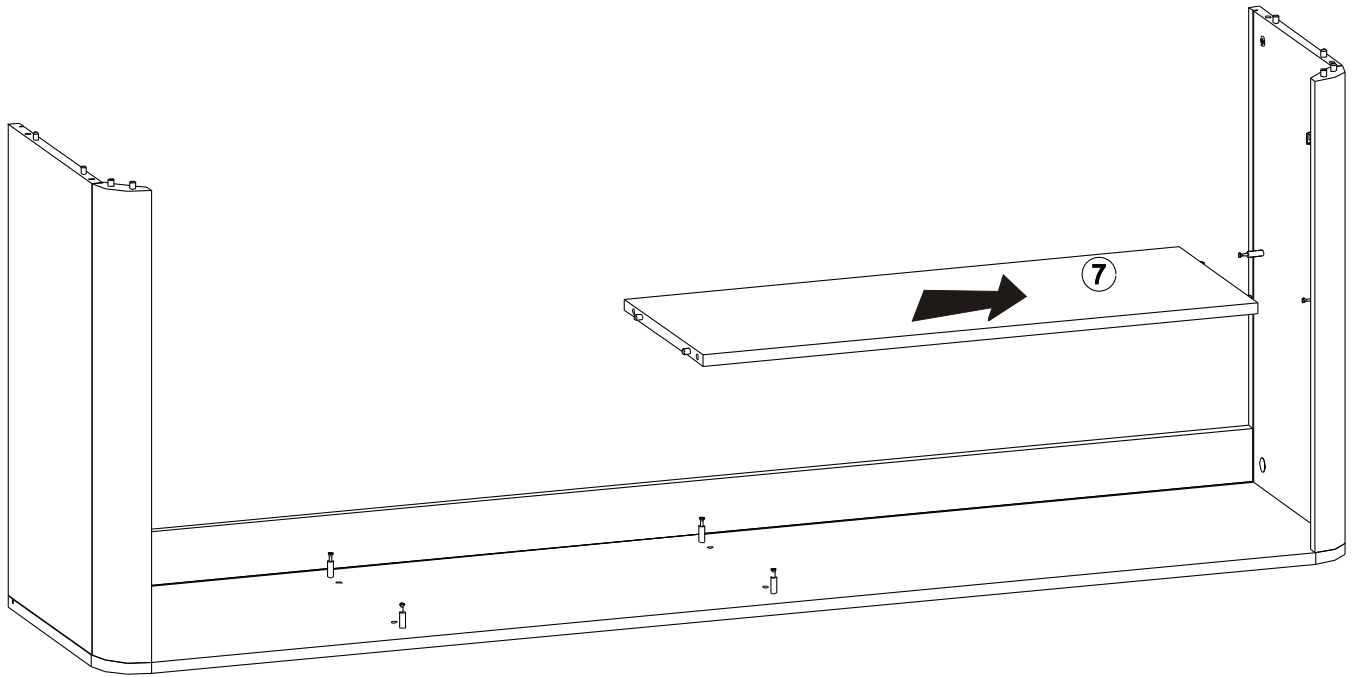
# 10 ▶



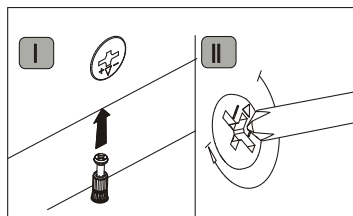
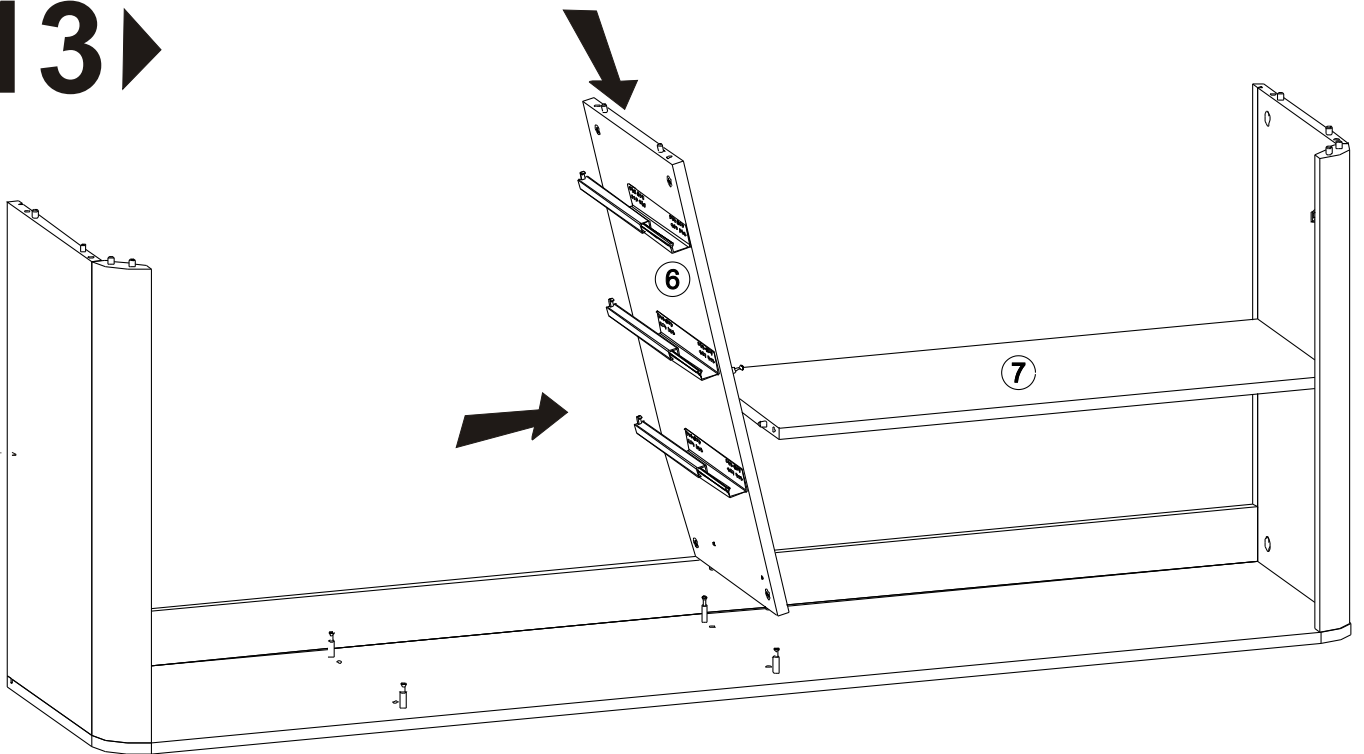
# 11 ▶



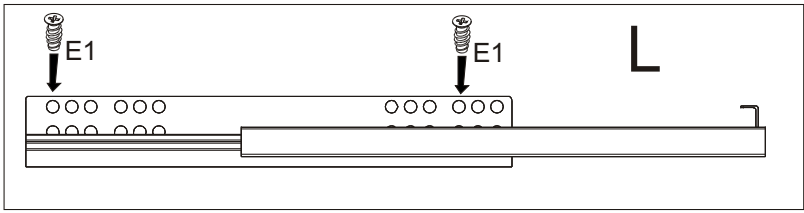
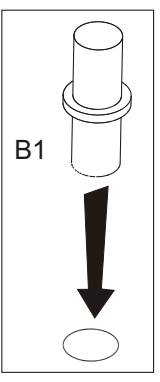
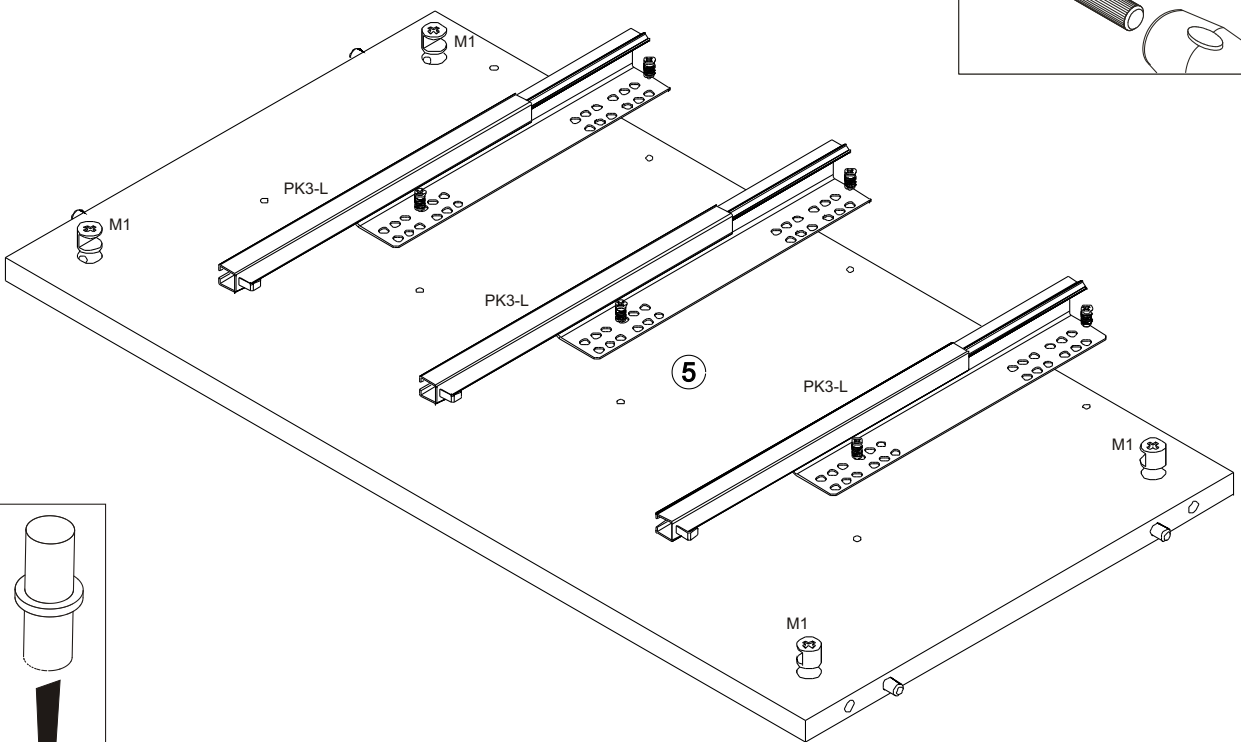
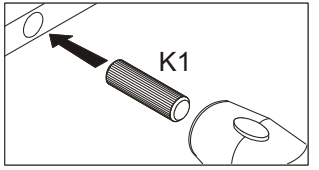
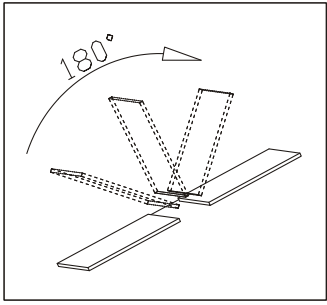
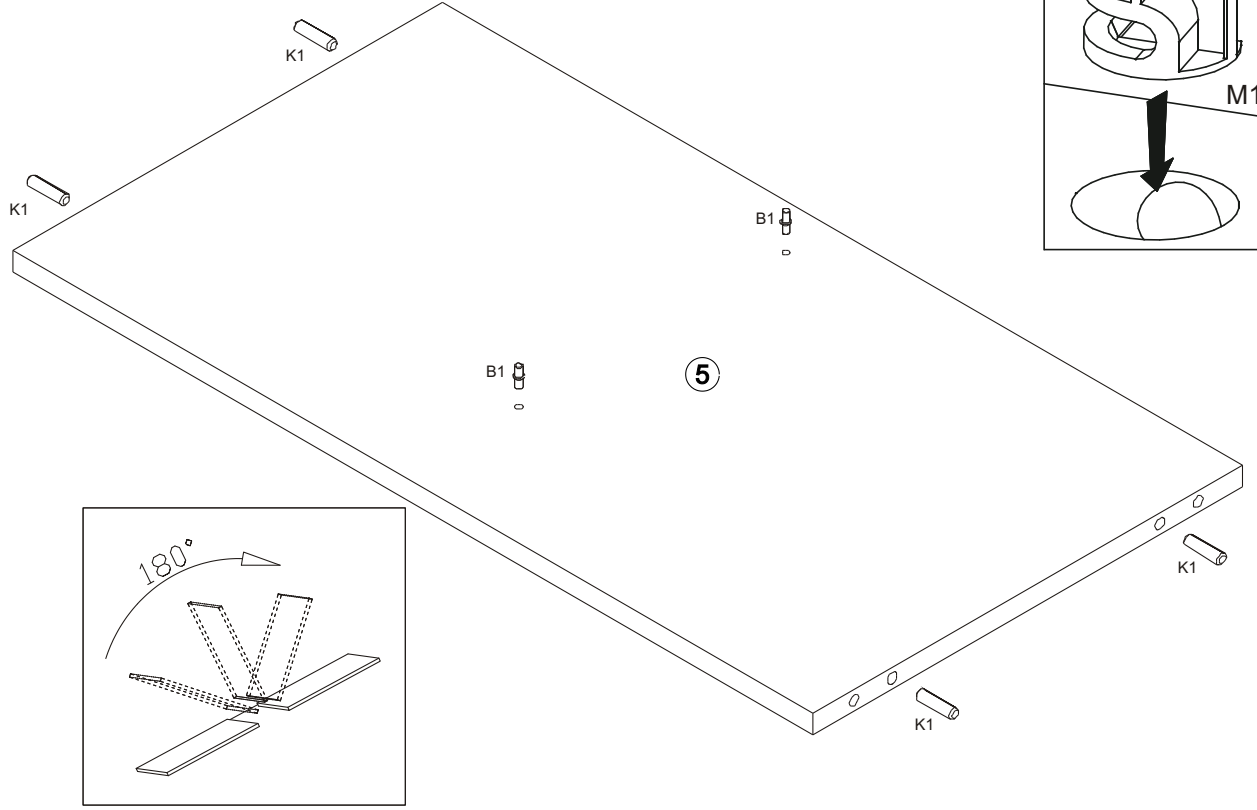
# 12 ▶



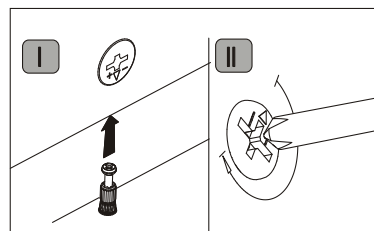
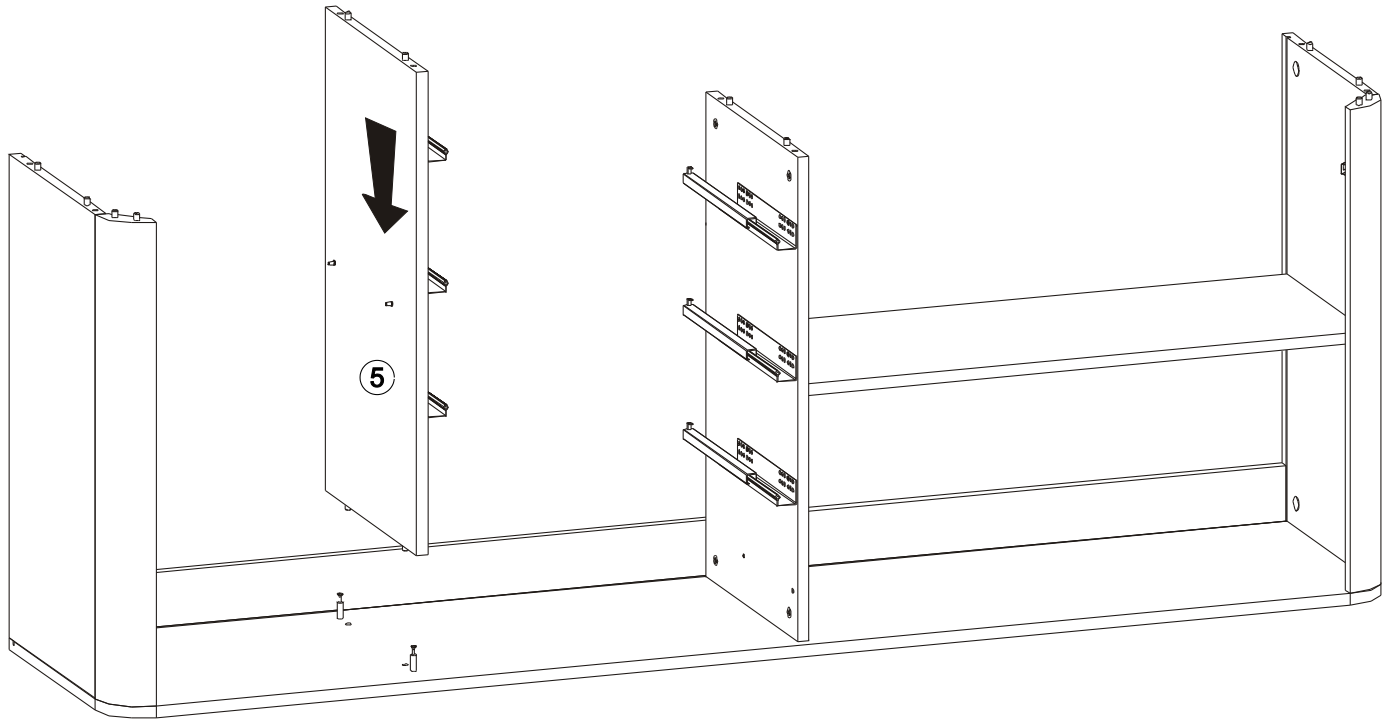
# 13 ▶



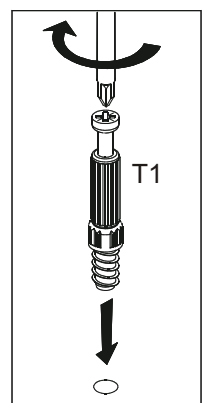
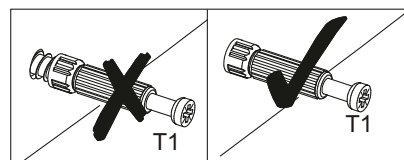
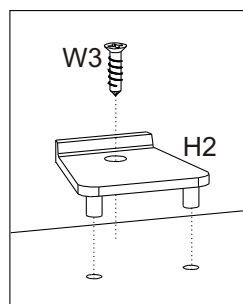
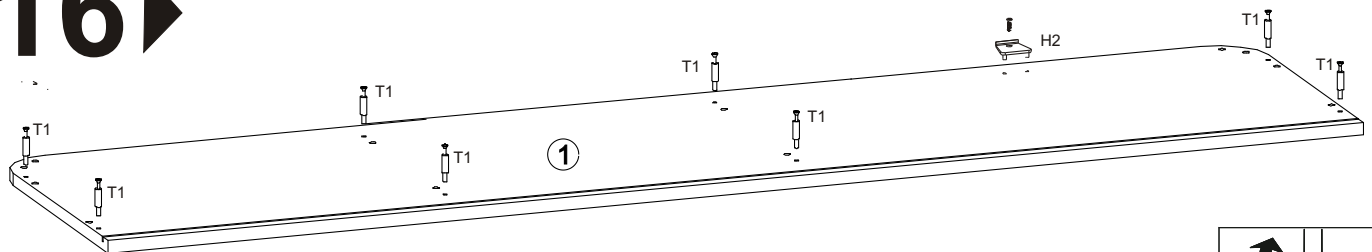
# 14



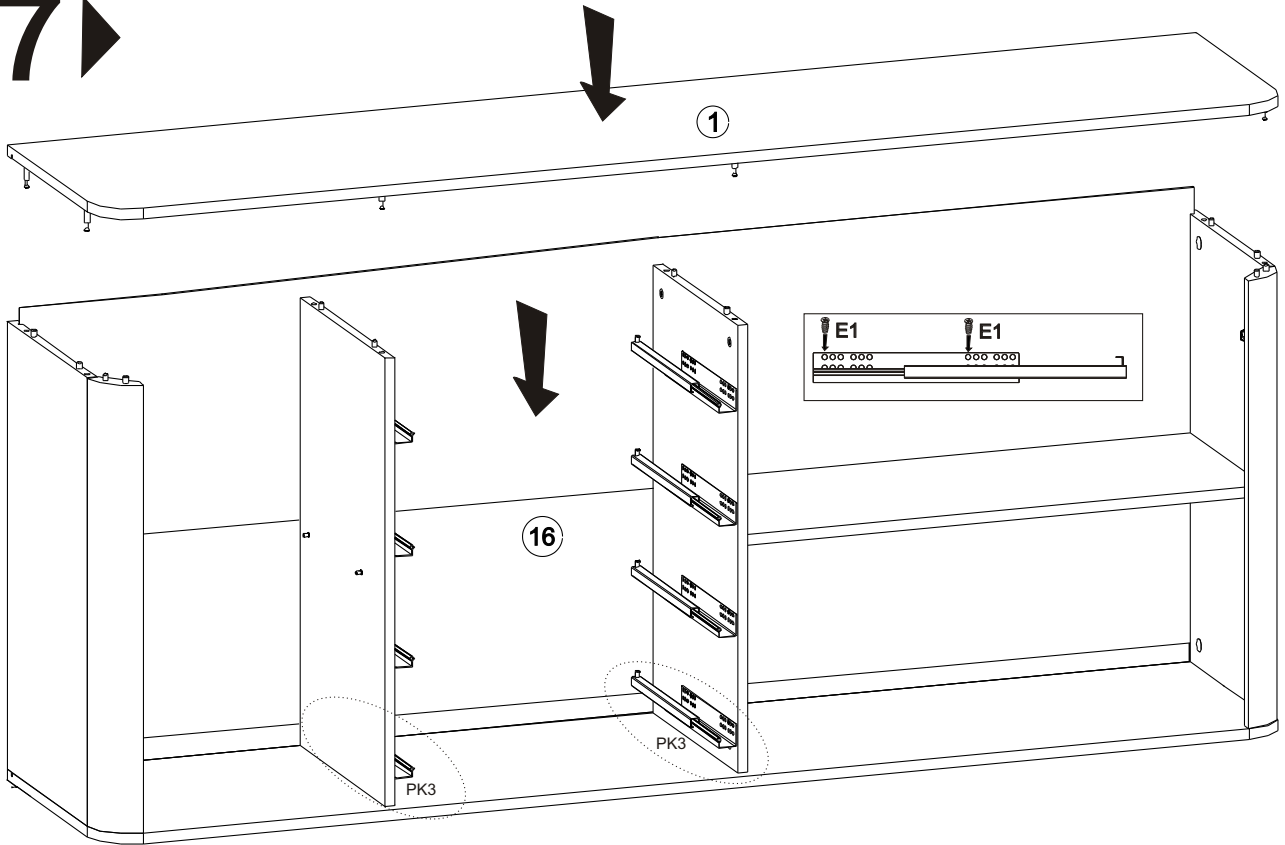
# 15 ▶



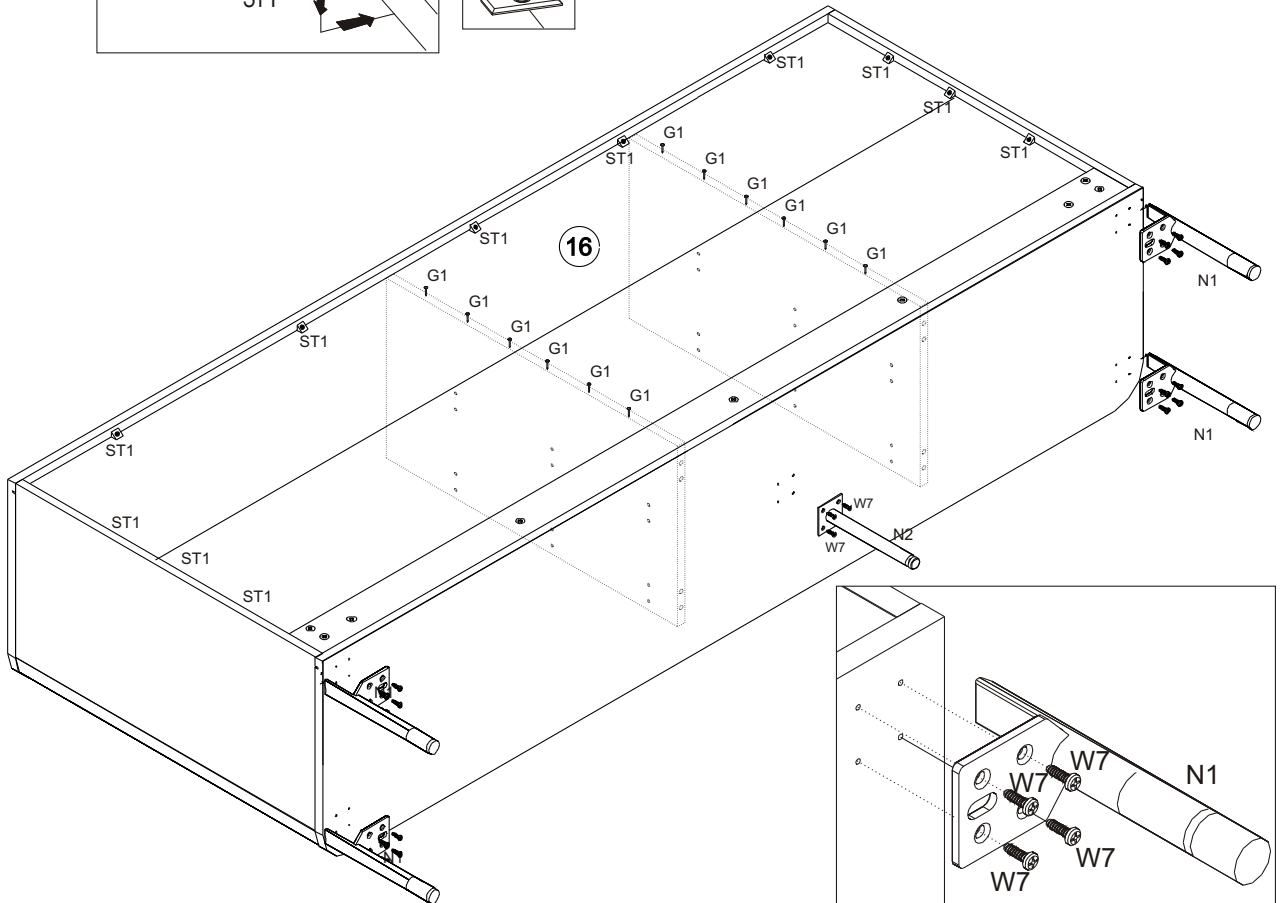
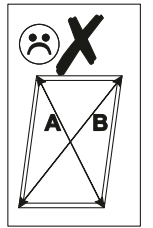
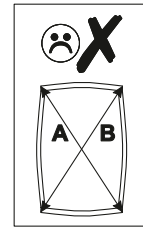
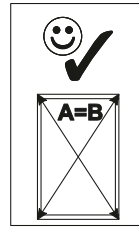
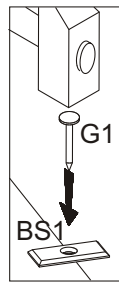
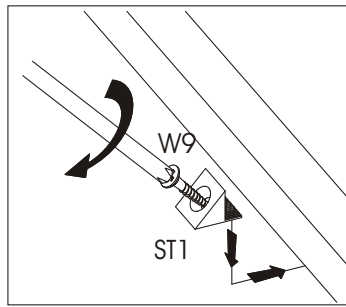
# 16 ▶



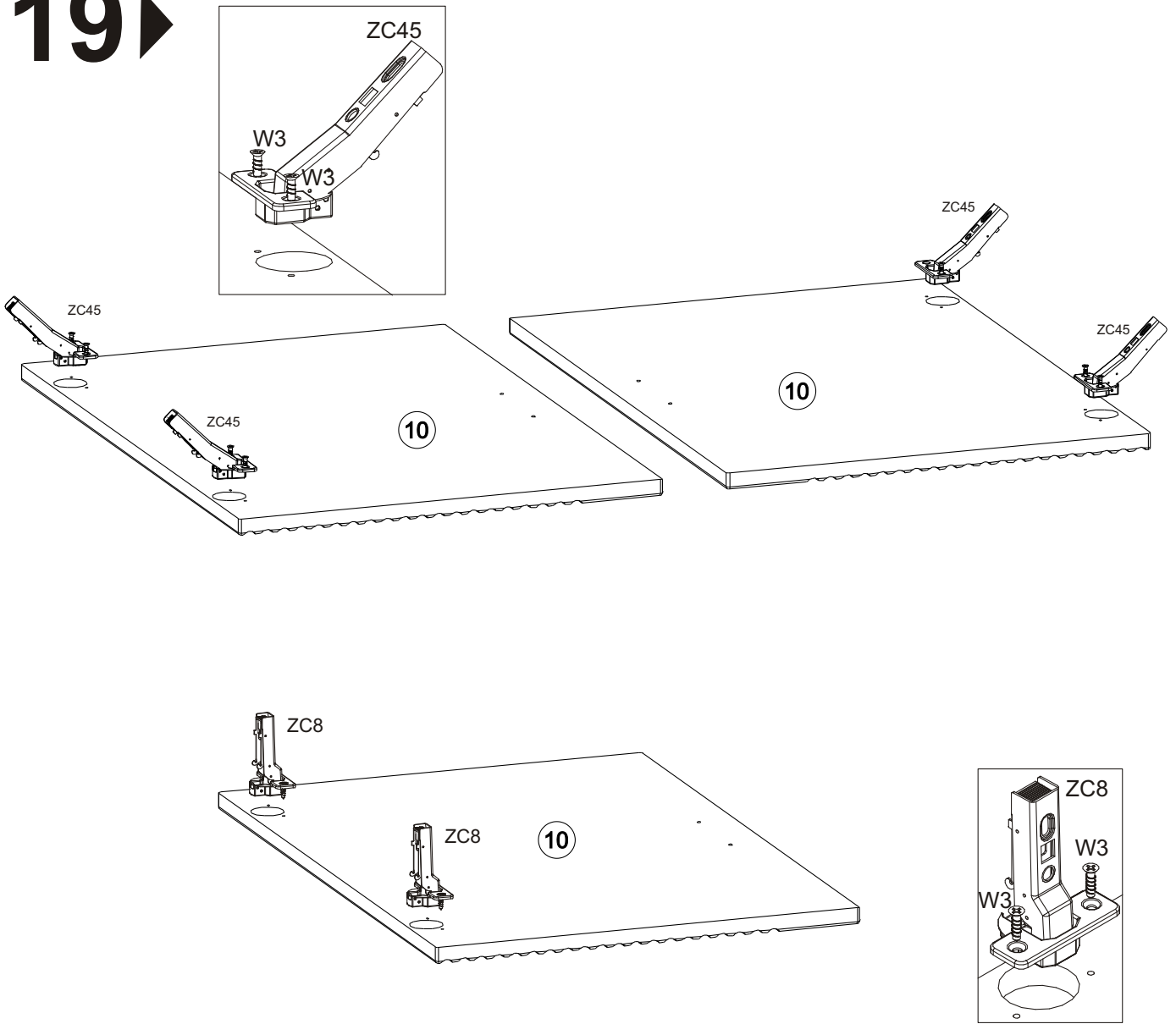
# 17▶



# 18▶



# 19 ▶



# 20 ▶

