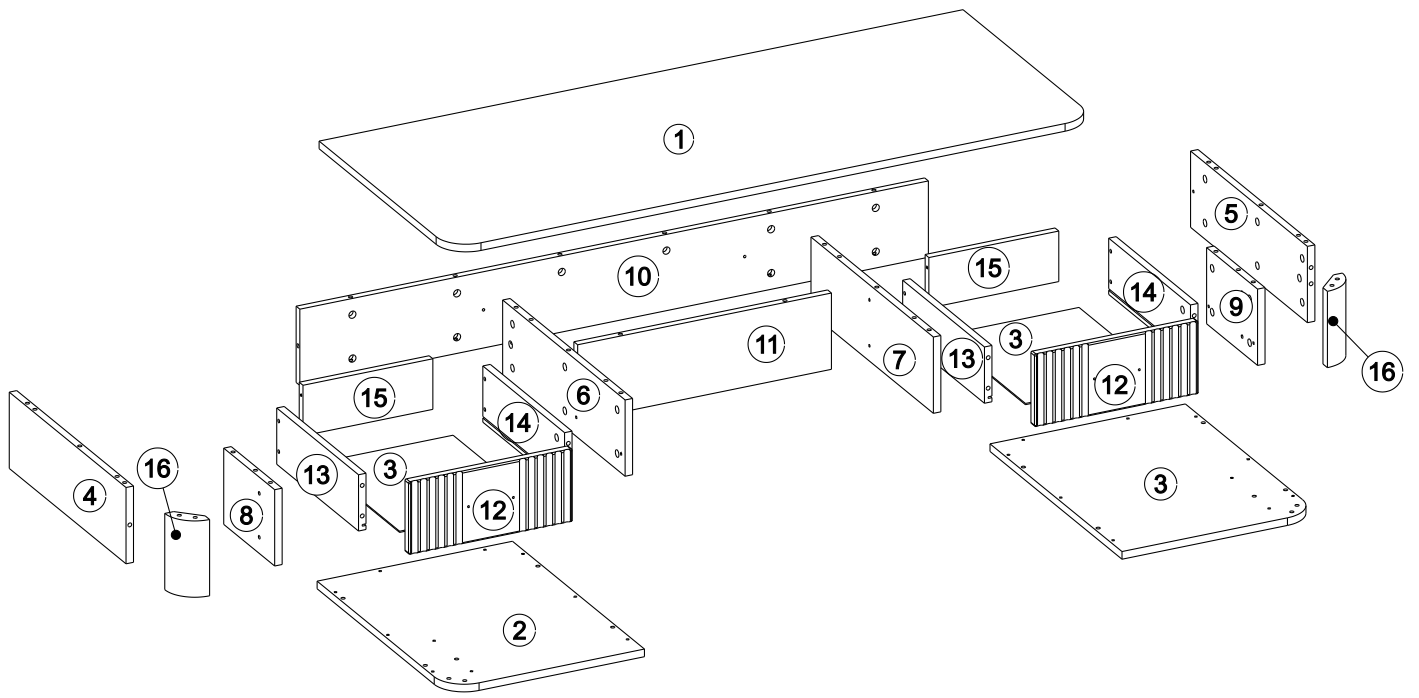
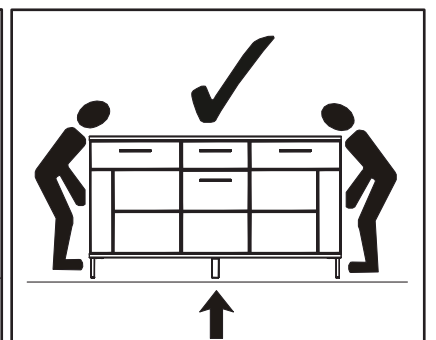
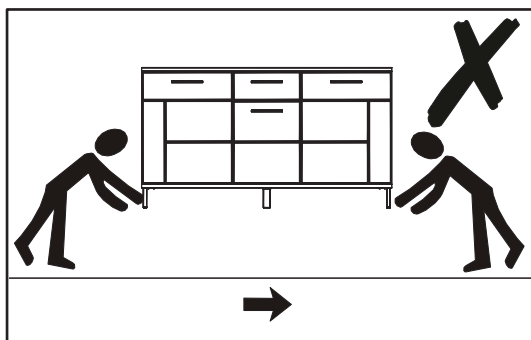
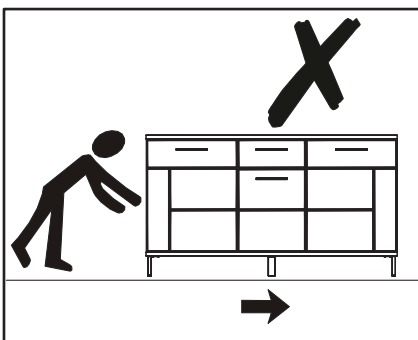
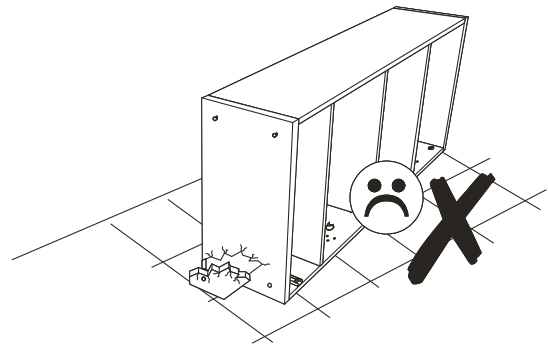
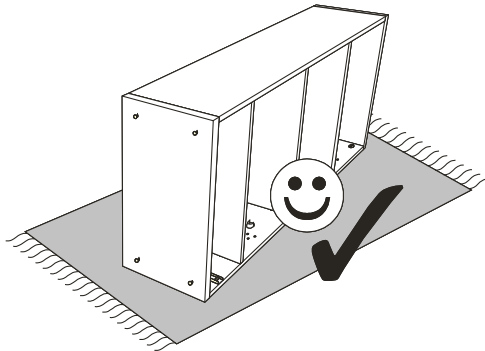
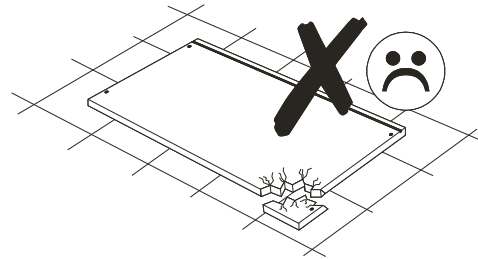
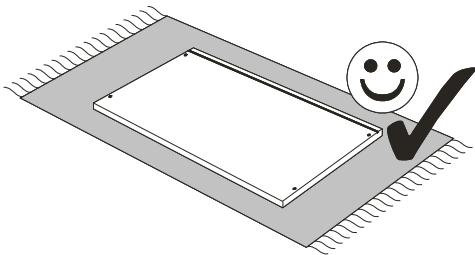
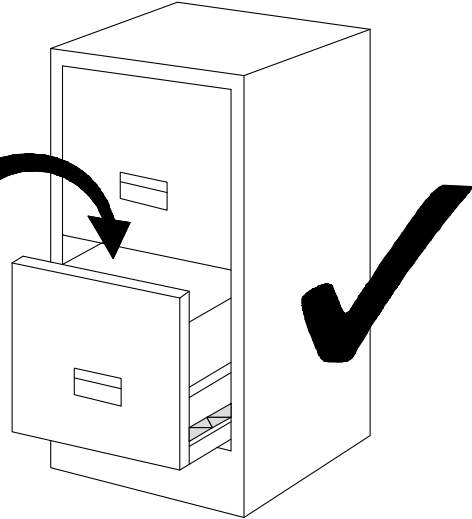
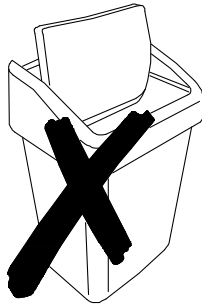
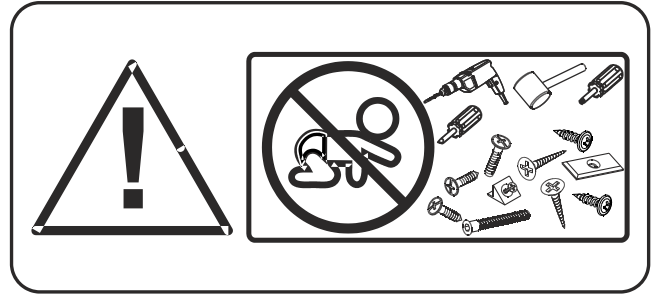
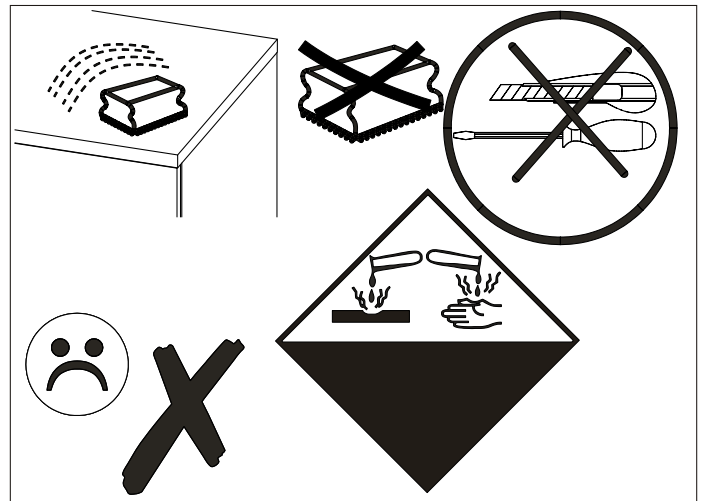
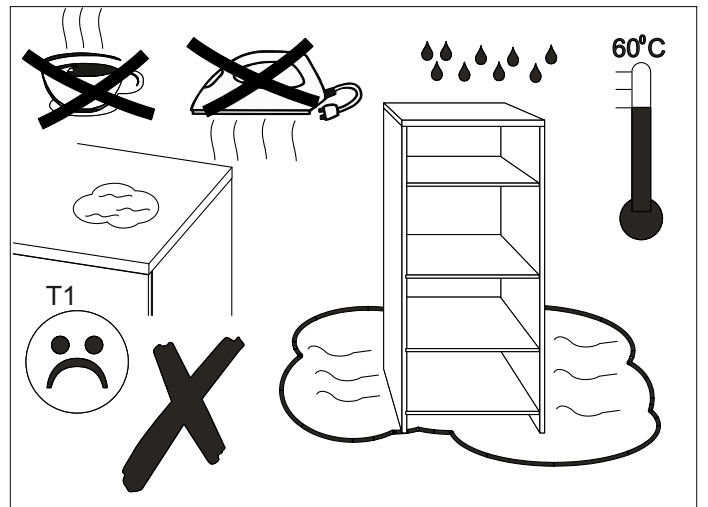
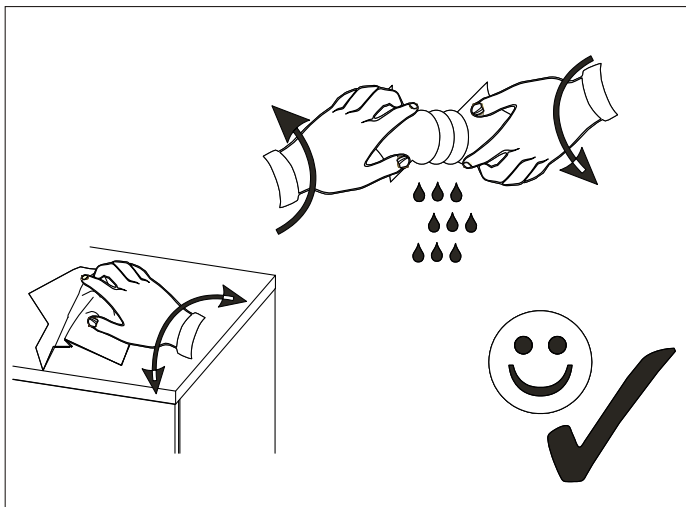
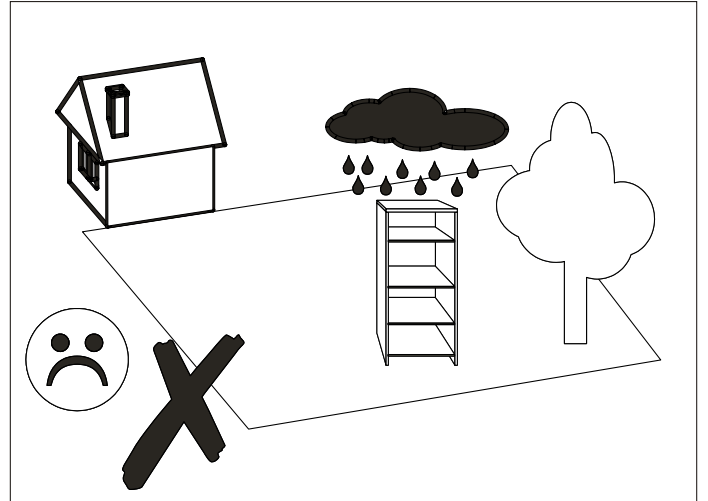
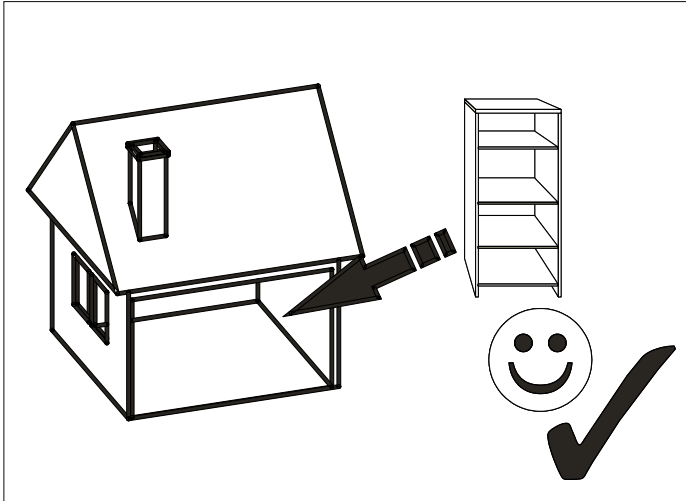


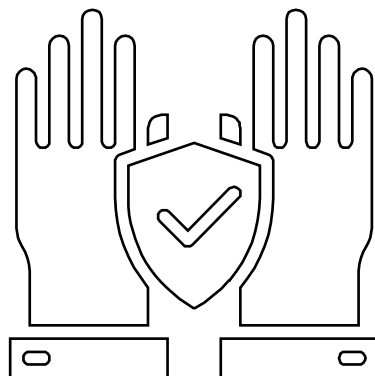
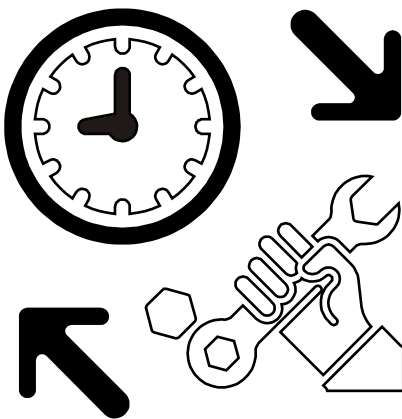
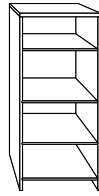
			2x				
2x #350L PK3	2x #350P PK3	4x 3x16 W6		N1	8x #20/863 ZN1	4x M4x24 S4	
8x 6.4x50 K5	28x 8x30 K1	2x U 1	1x K20	62x #15/15 M1	62x DU232T T1	20x 4,5x16 W7	6x 2x20 G1
							8x 6x12 E1



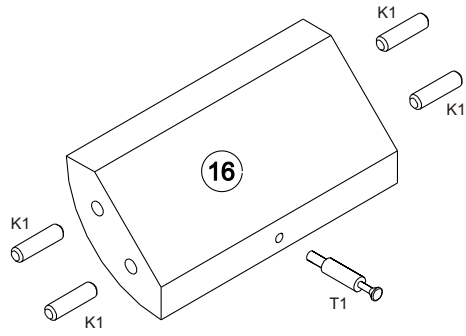
16	160x90.5	1/4
16	160x90.5	1/4
15	278x106	1/4
14	350x118	1/4
13	350x118	1/4
12	350x152	2/4
11	543x160	1/4
10	1345x160	1/4
9	218x160	1/4
8	160x218	1/4
7	160x524	1/4
6	160x524	1/4
5	160x500	1/4
4	160x500	1/4
3	357x293	1/4
2	418x565	1/4
1	1378x565	1/4



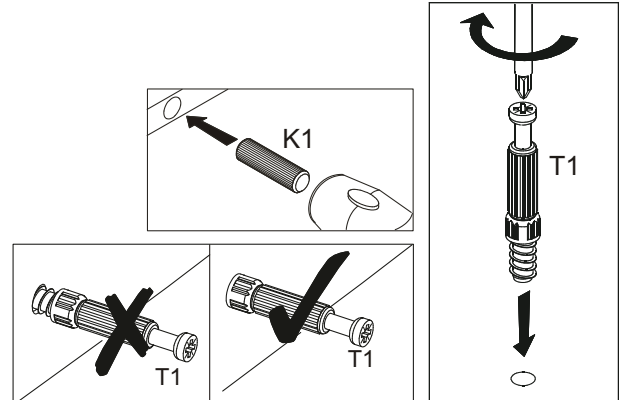




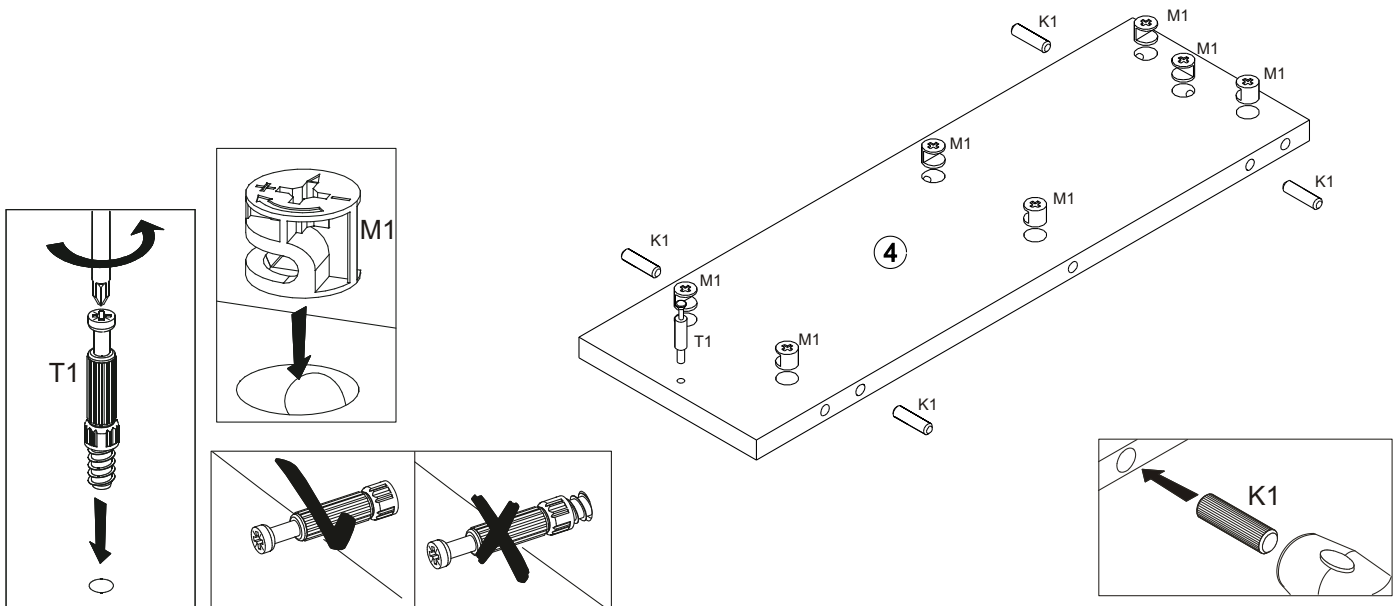
1▶



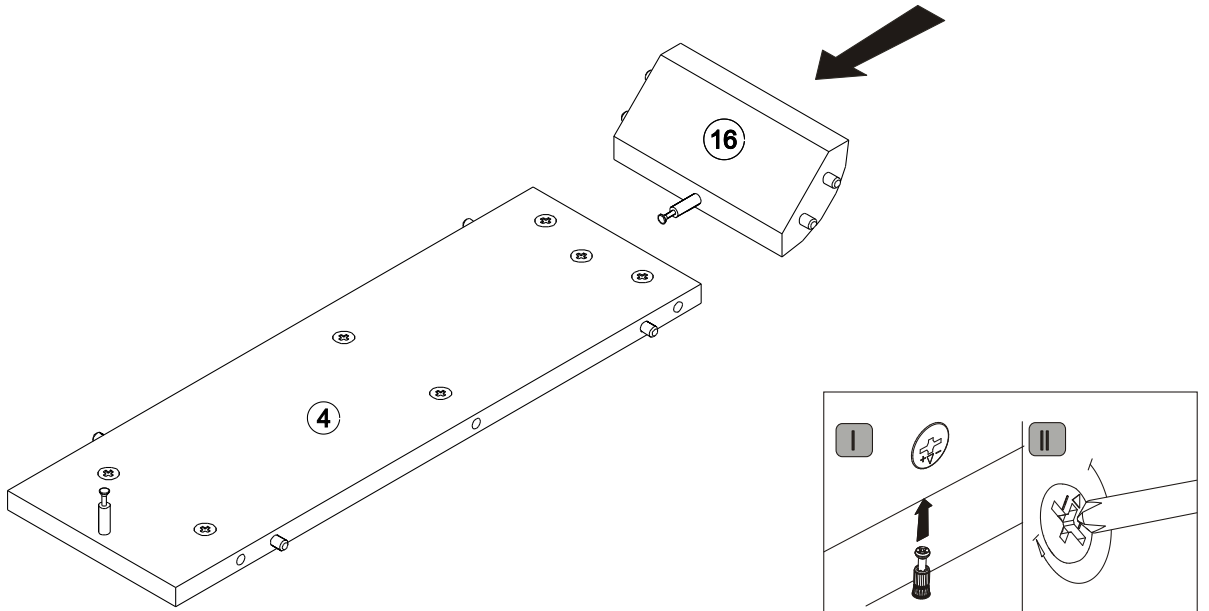
x2



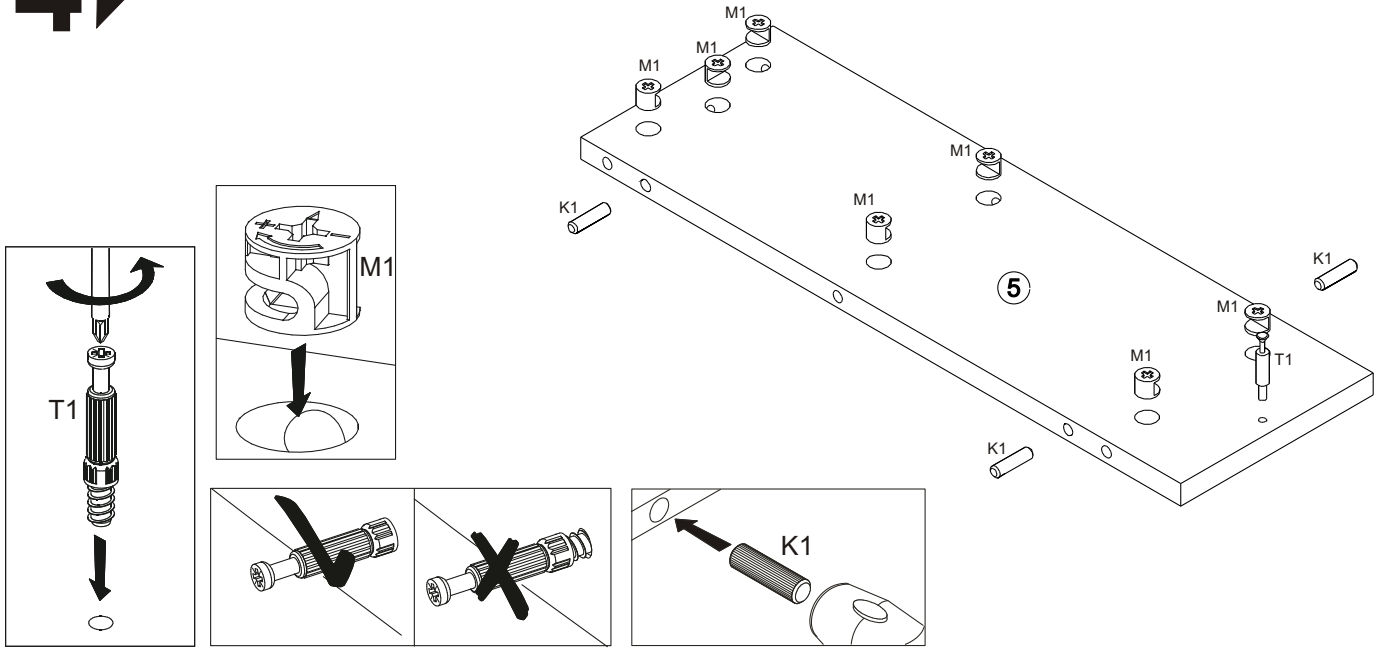
2▶



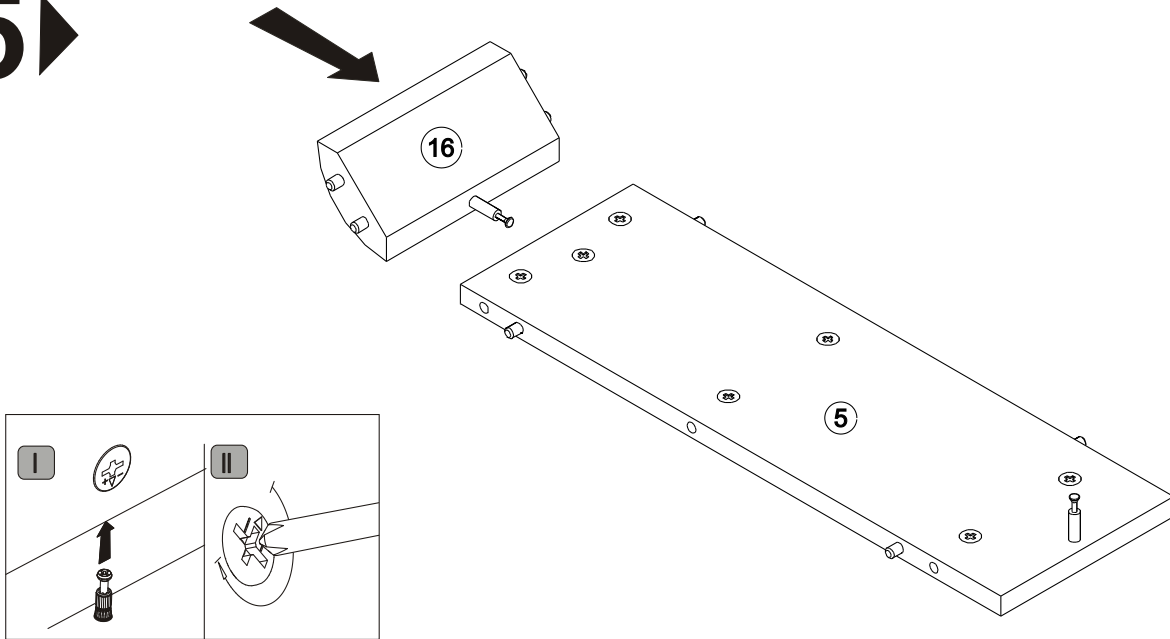
3▶



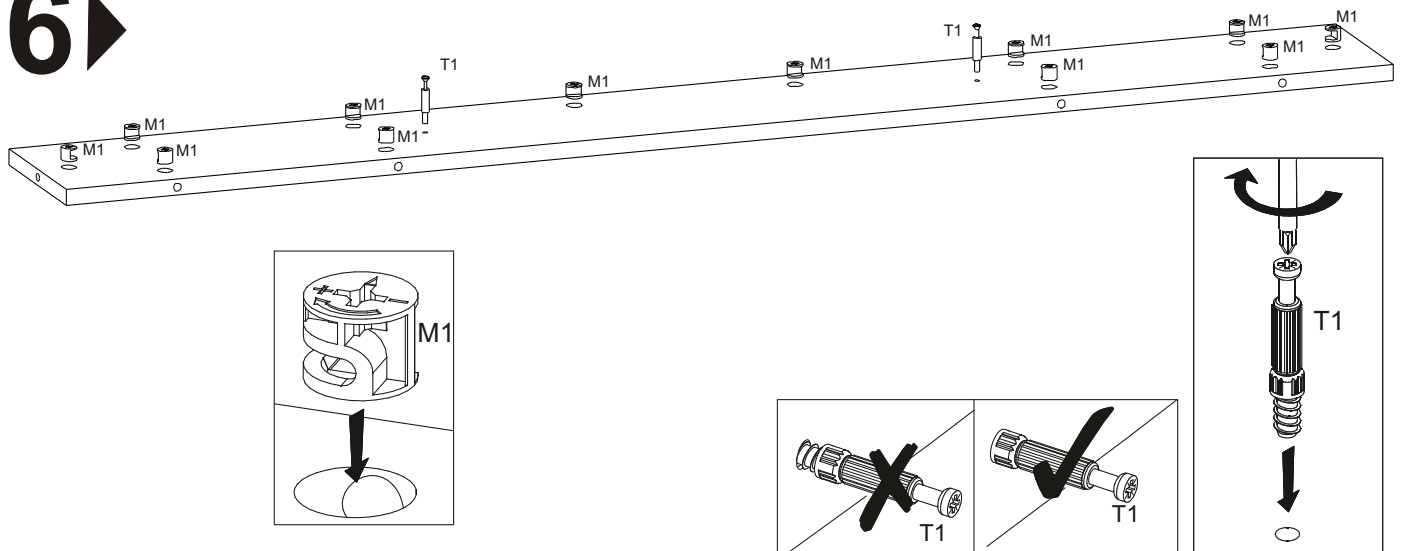
# 4



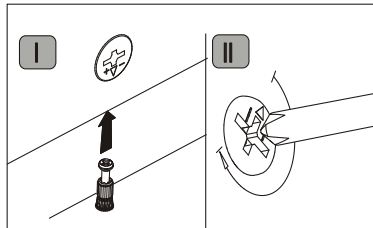
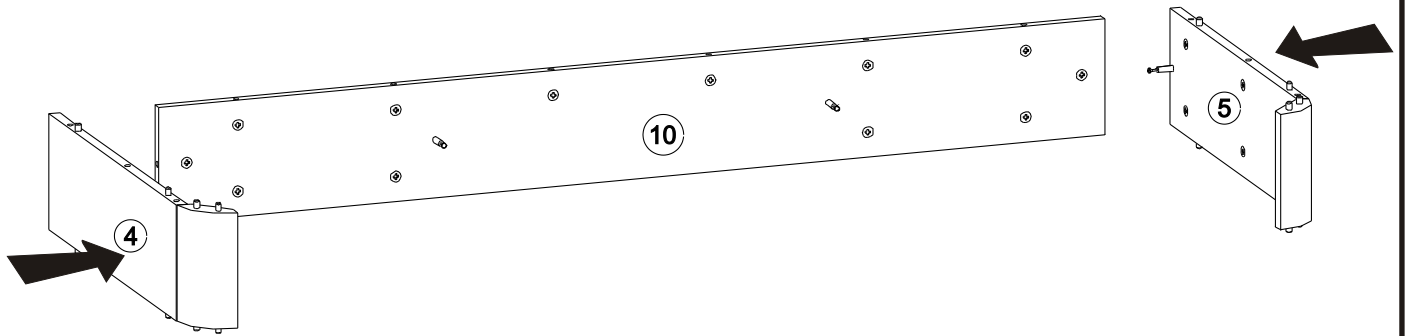
# 5



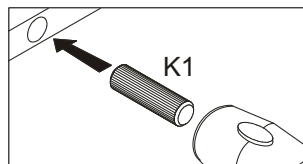
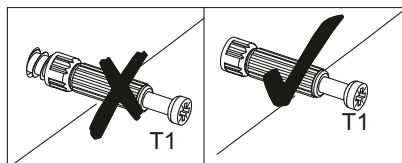
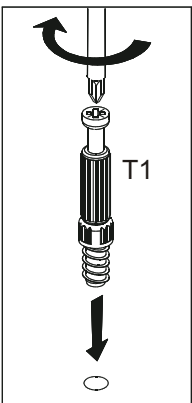
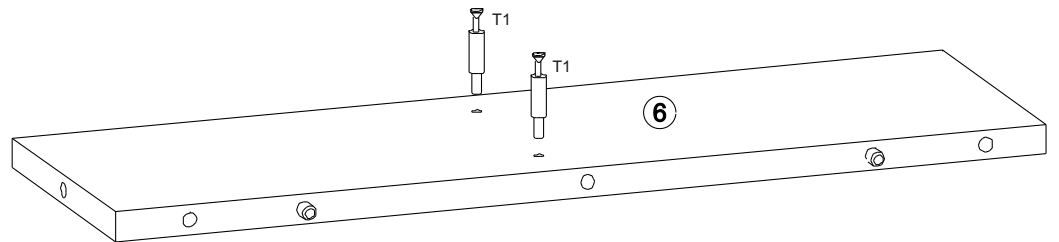
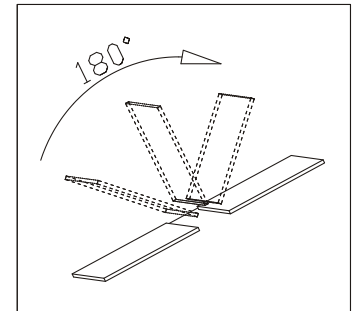
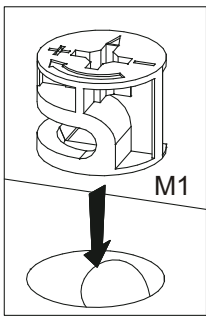
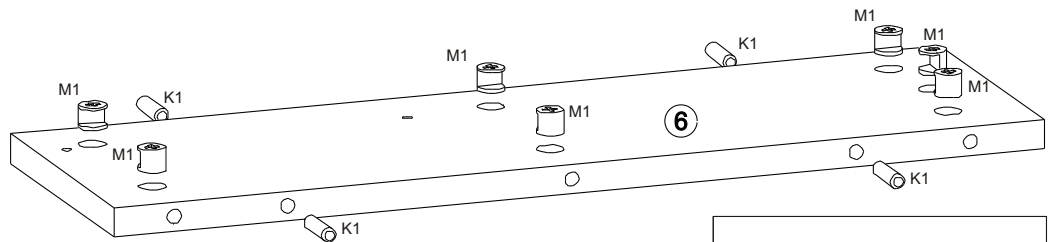
# 6



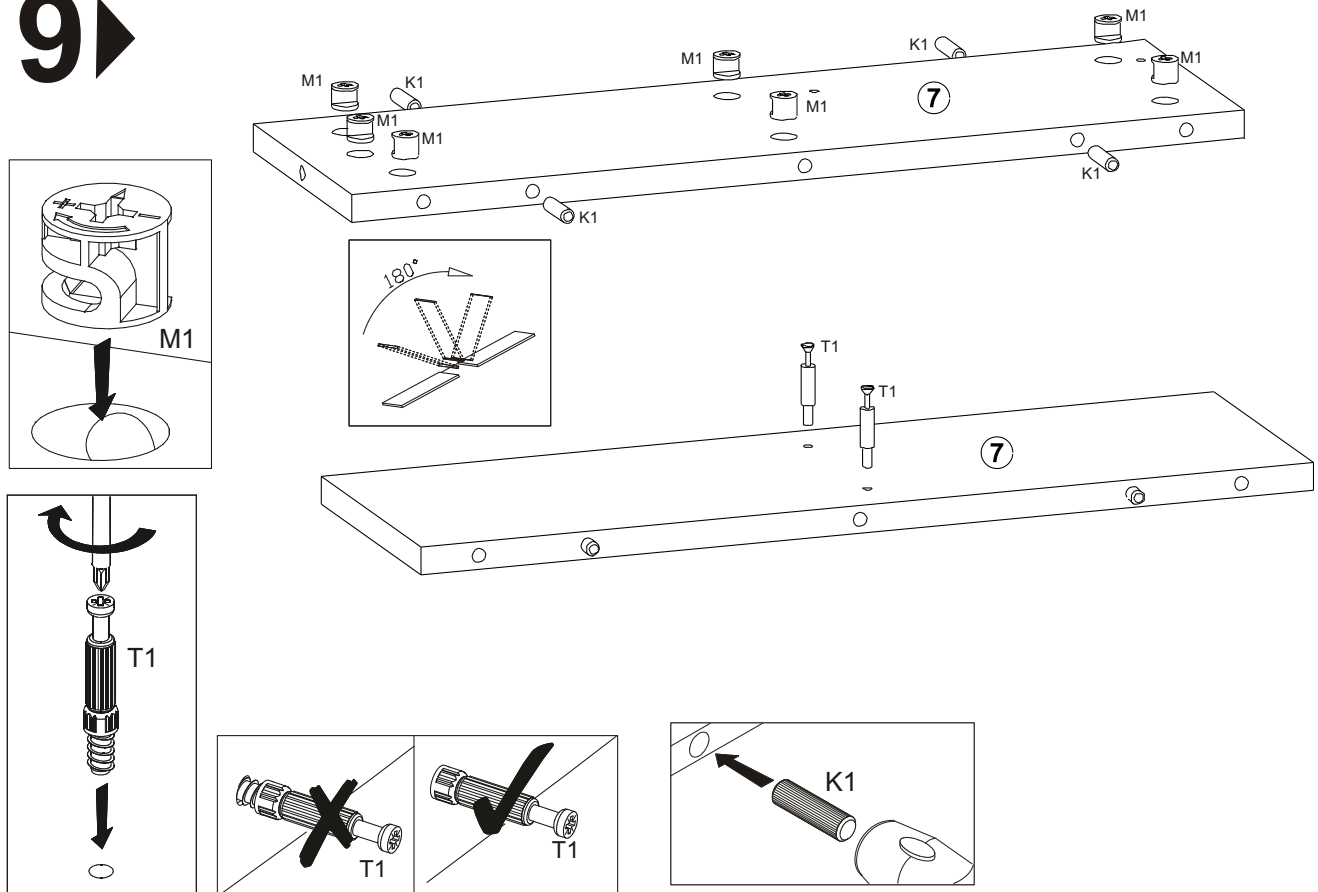
# 7



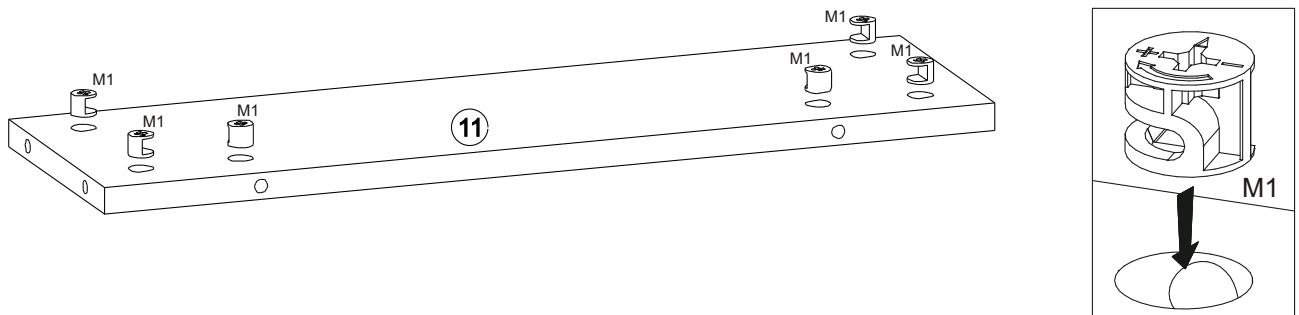
# 8



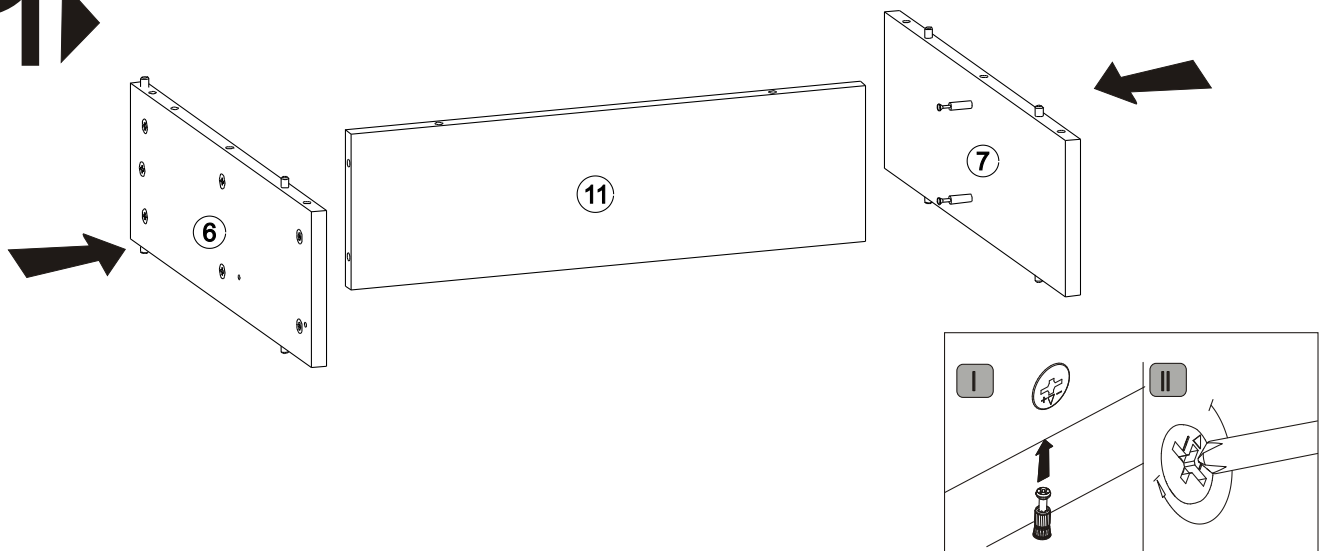
# 9 ▶



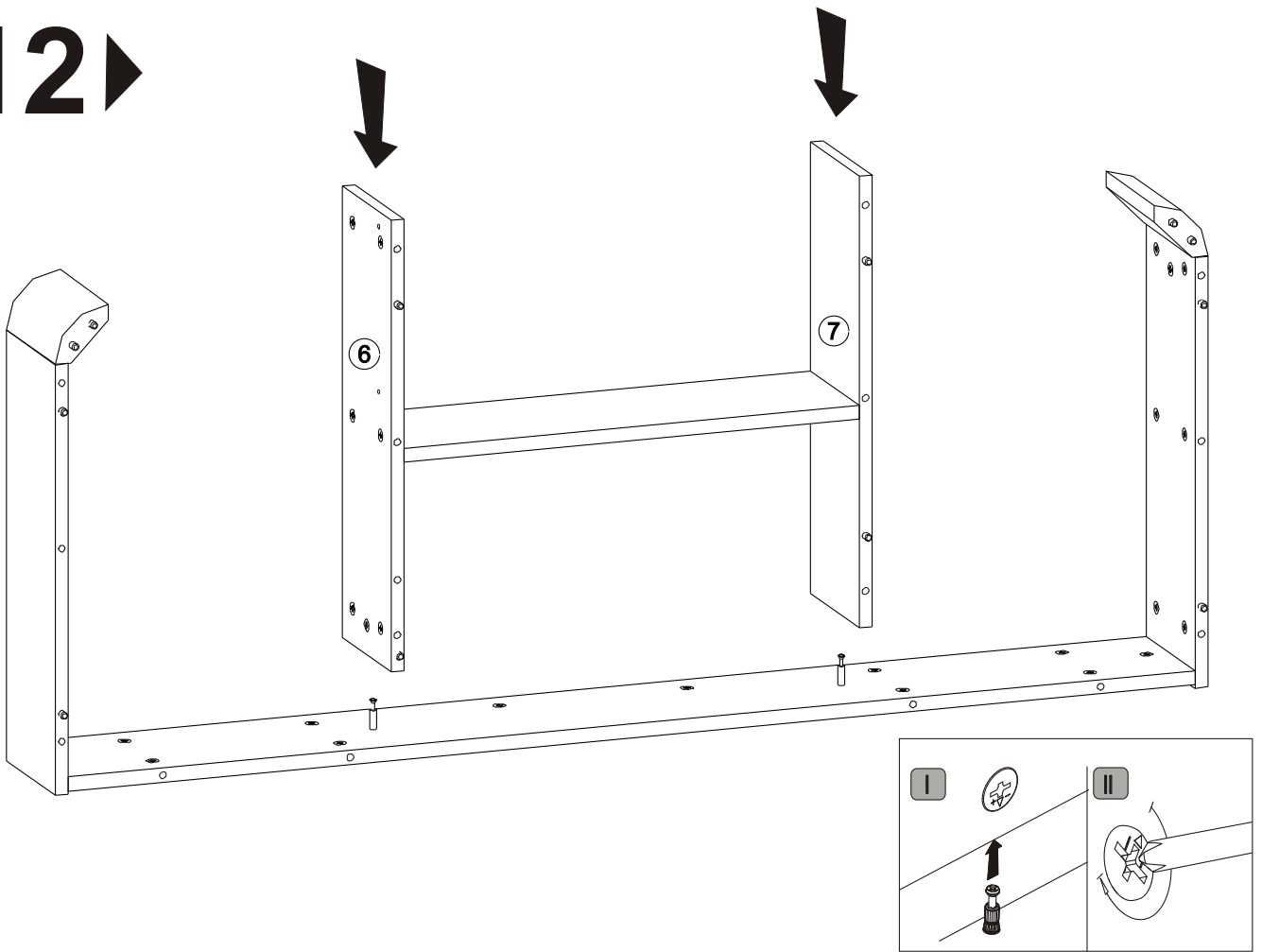
# 10 ▶



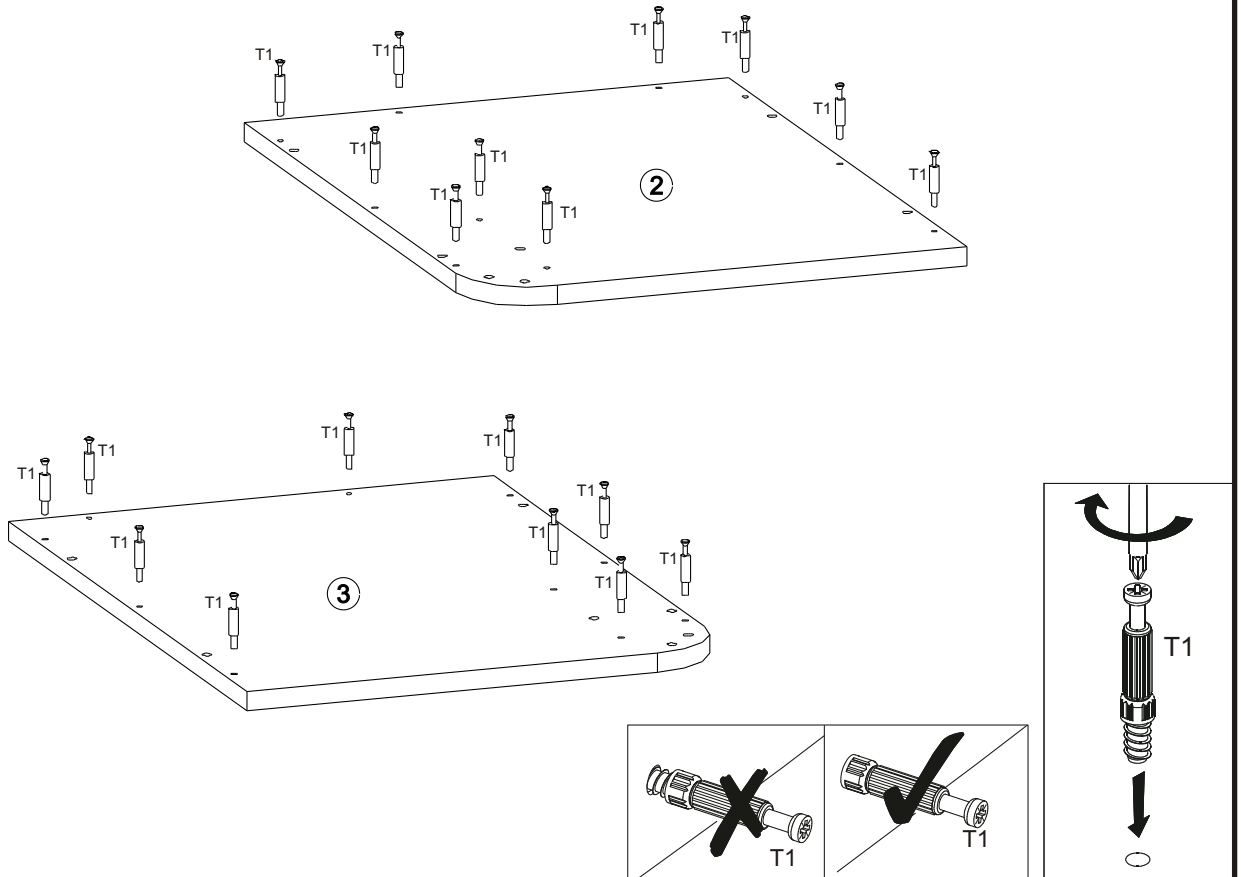
# 11 ▶



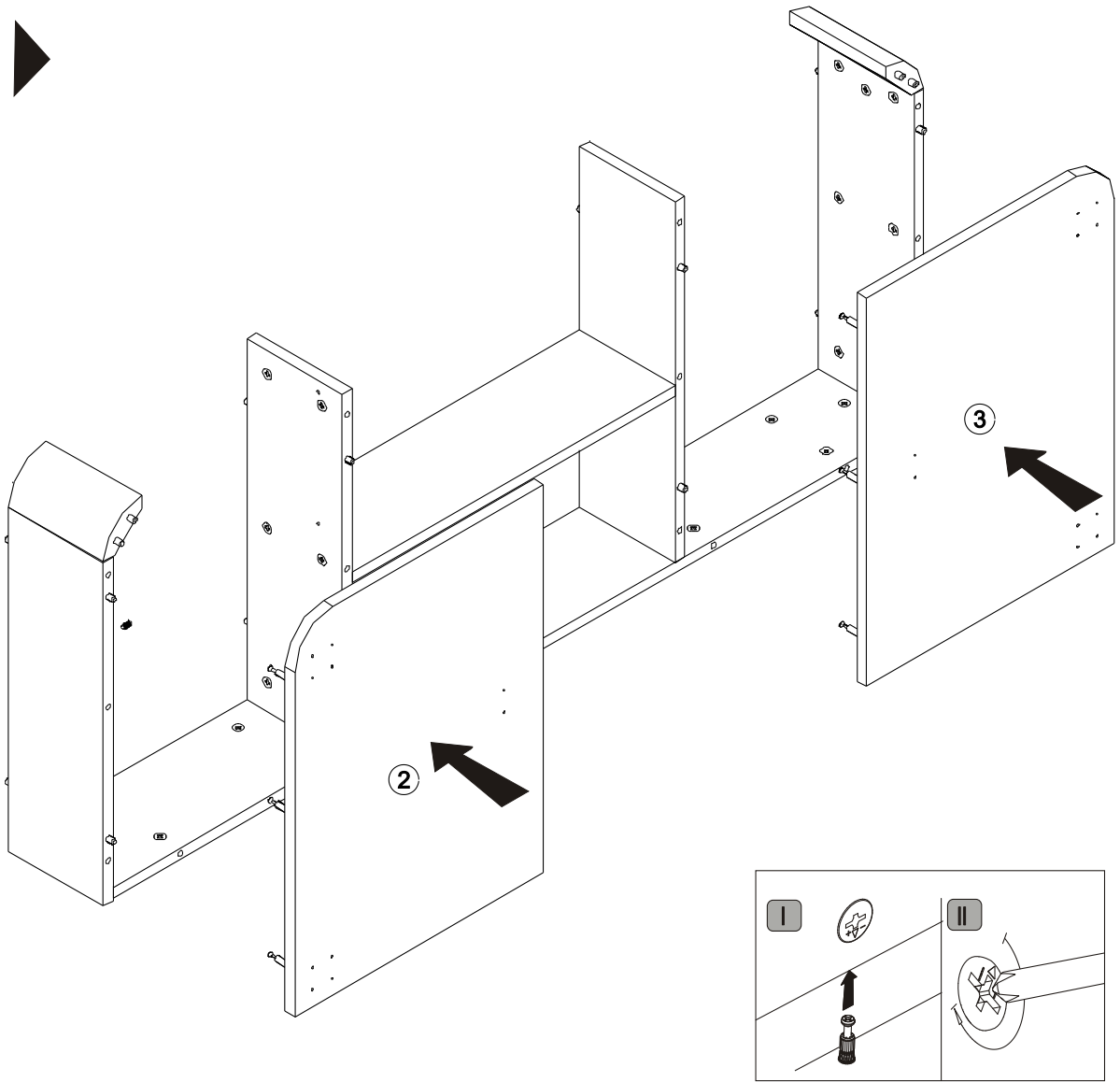
# 12 ▶



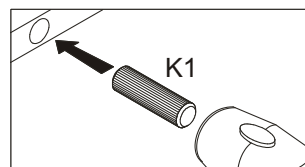
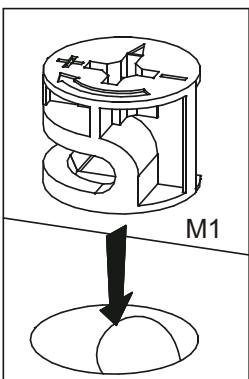
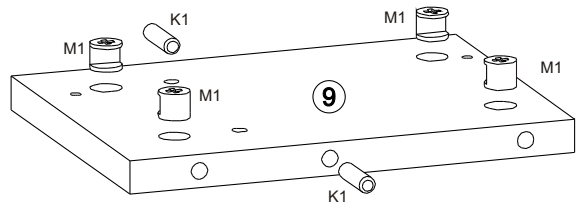
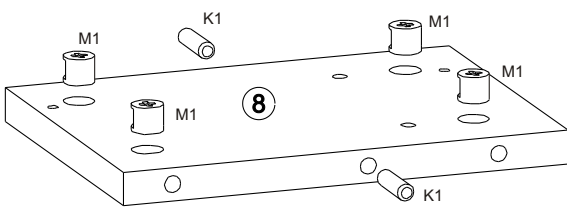
# 13 ▶



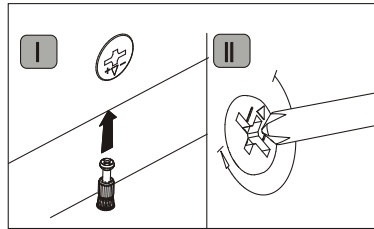
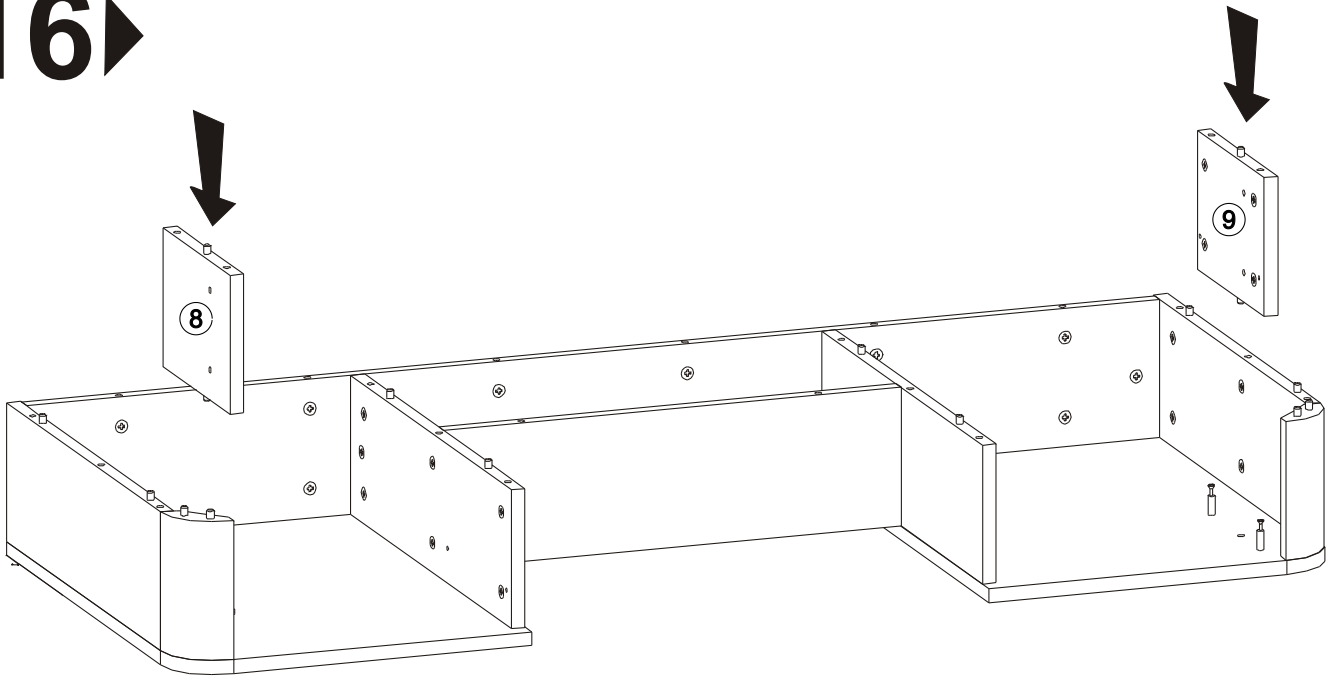
# 14▶



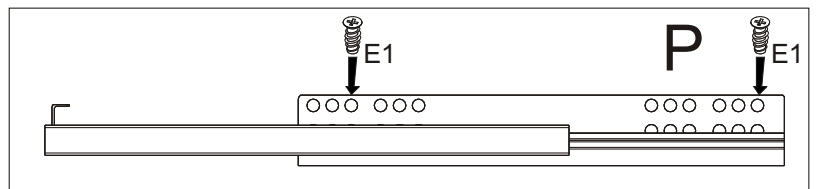
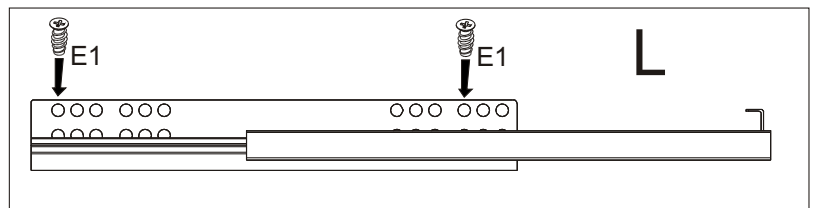
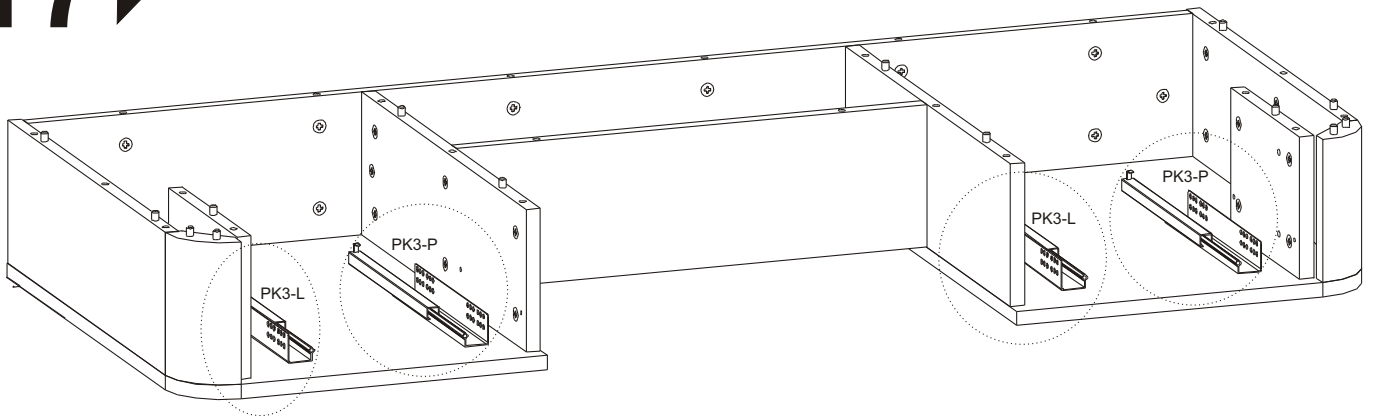
# 15▶



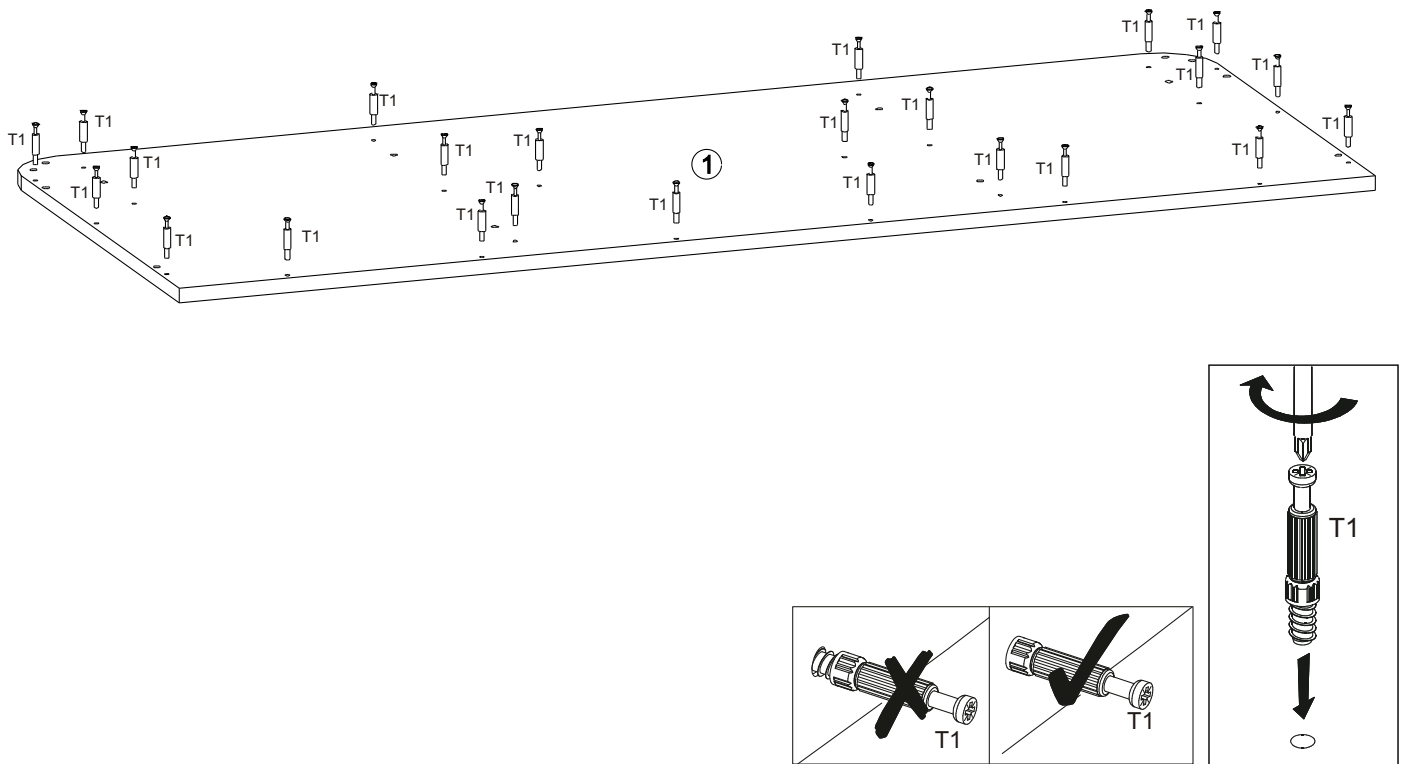
# 16▶



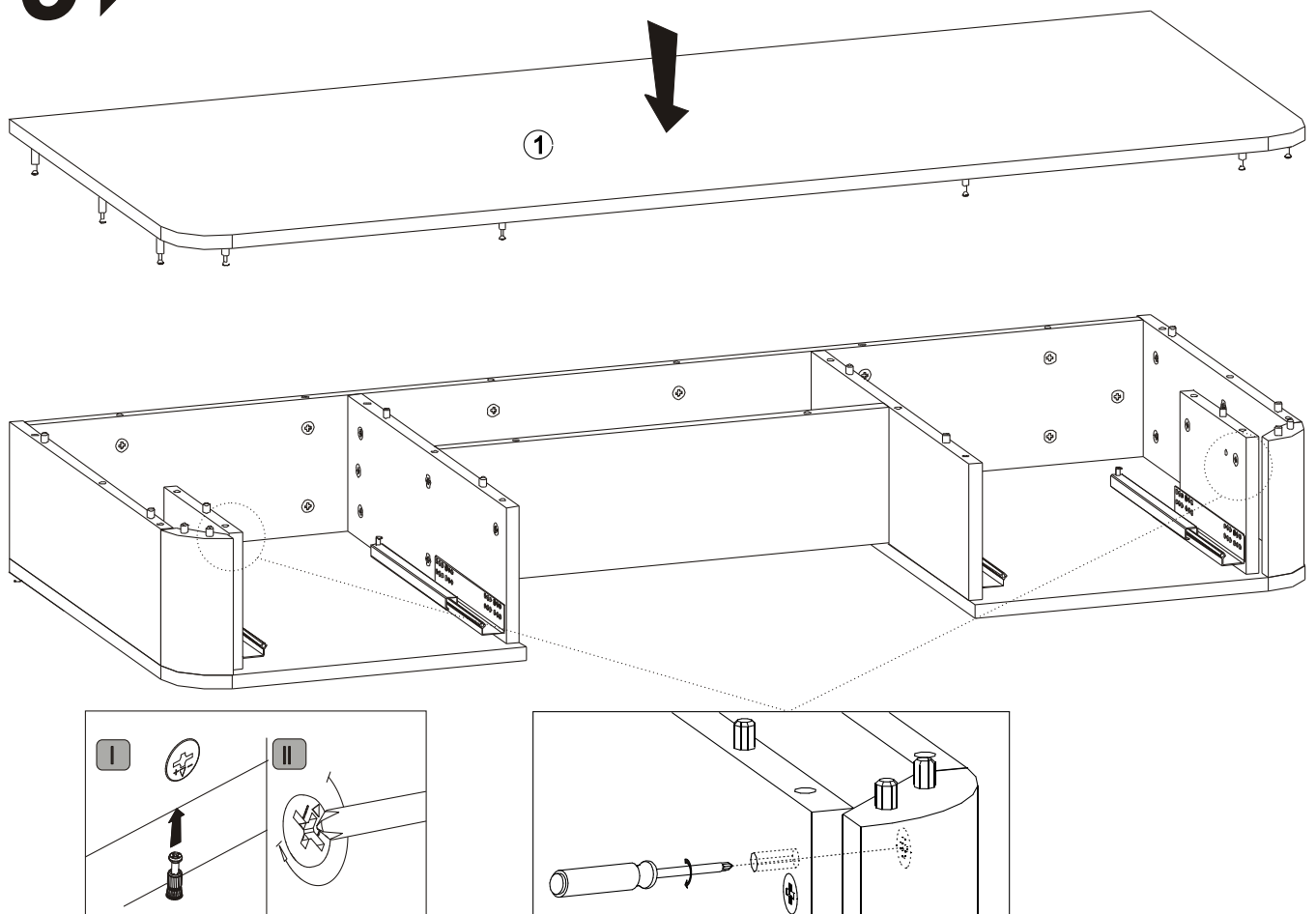
# 17▶



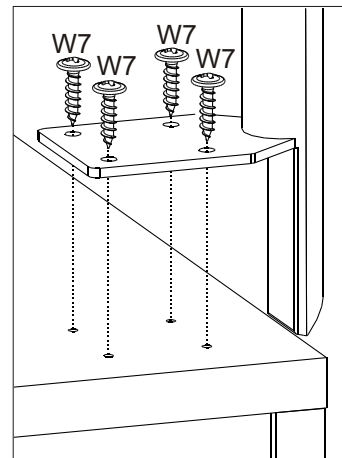
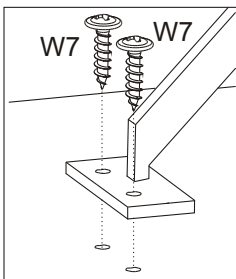
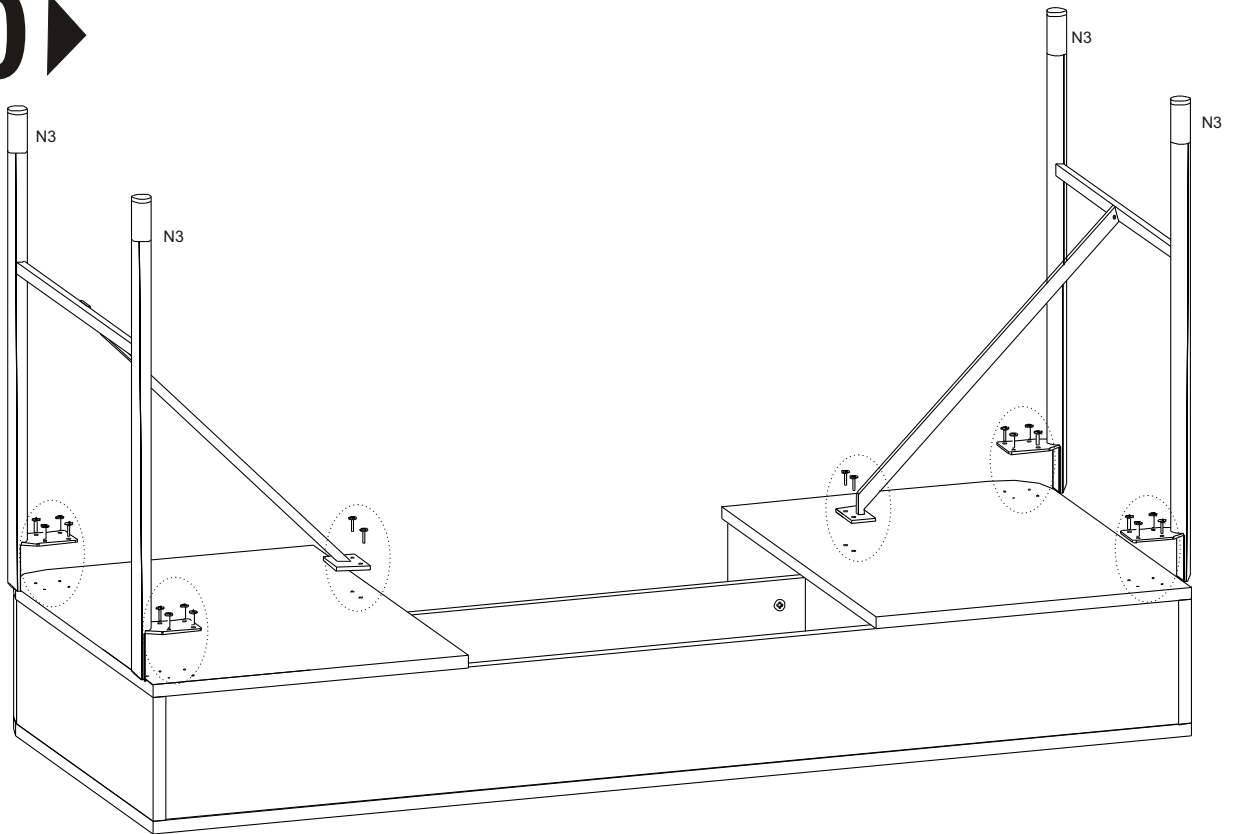
# 18▶



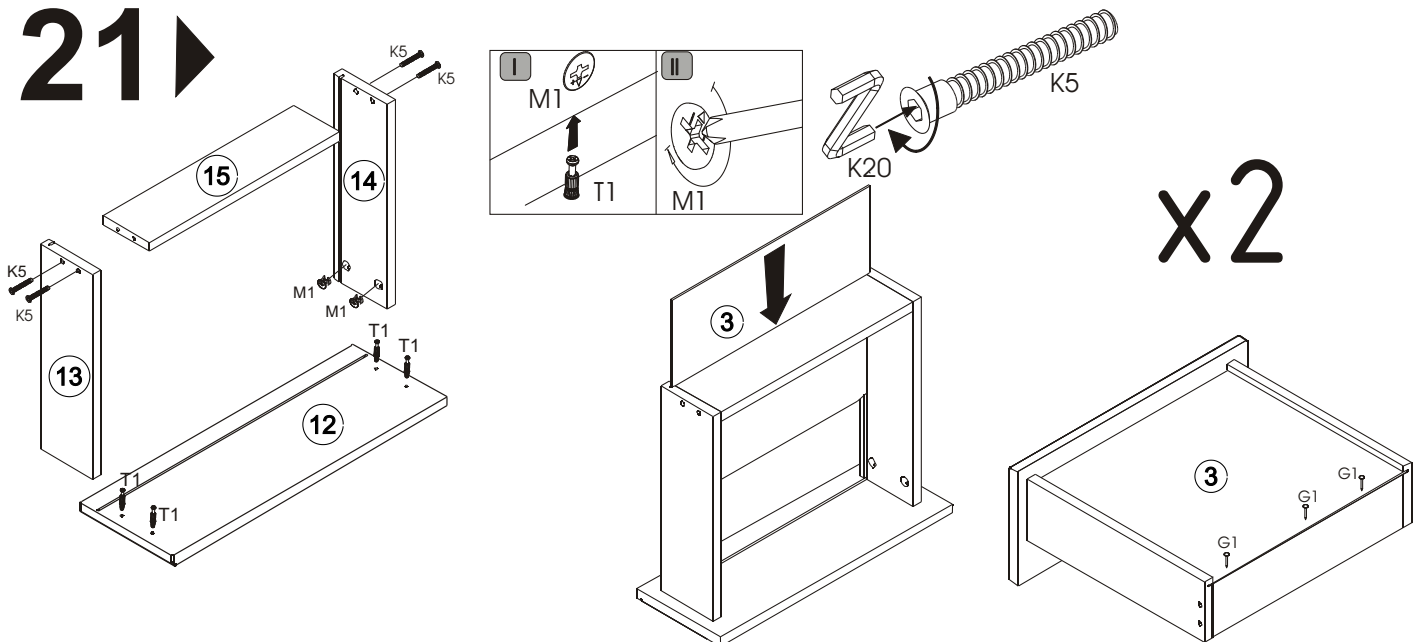
# 19▶



# 20 ▶



# 21 ▶



# 22 ▶

