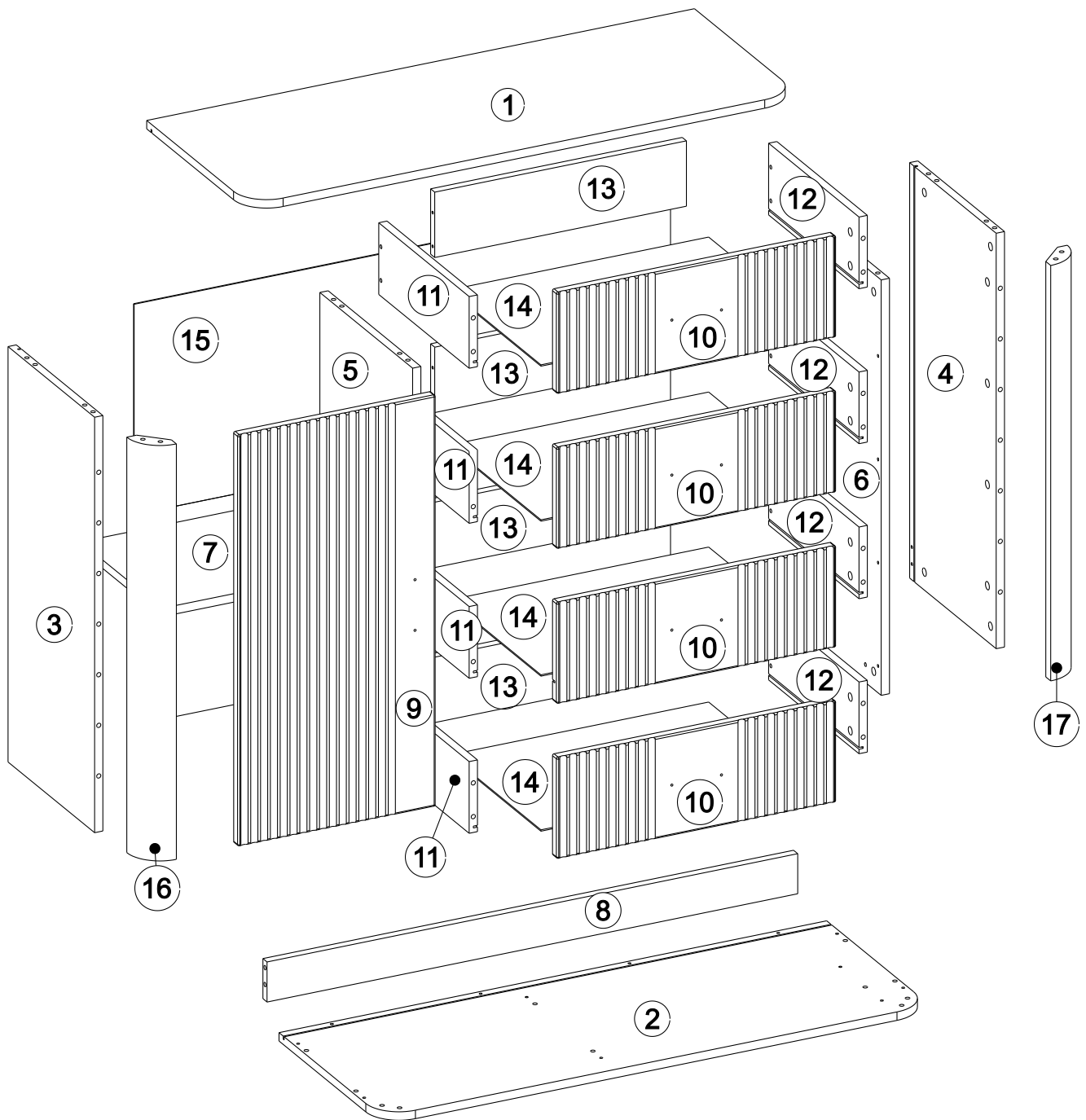
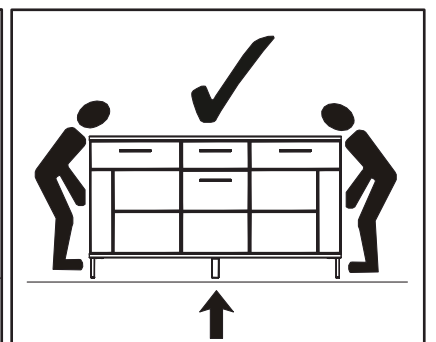
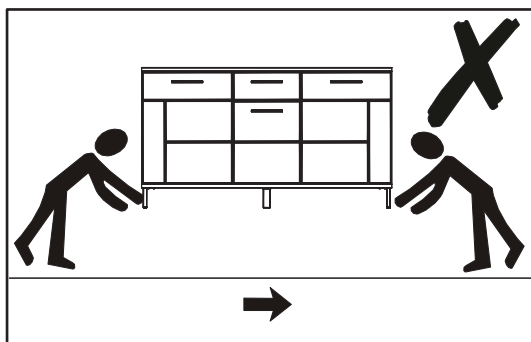
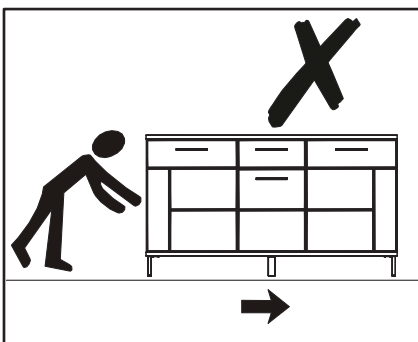
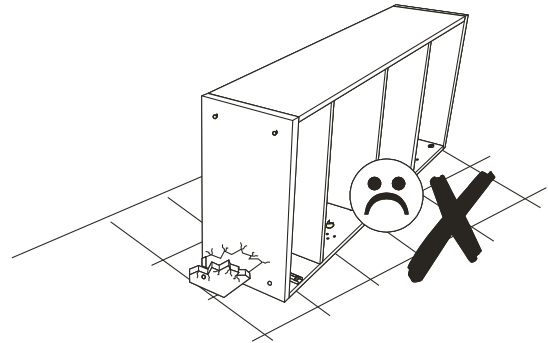
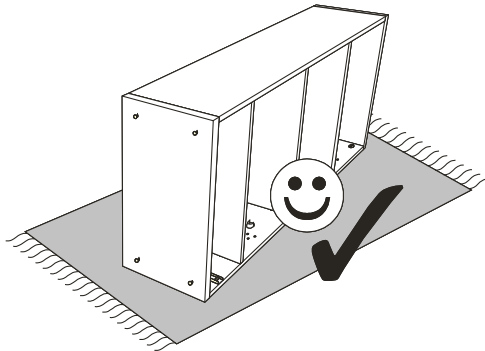
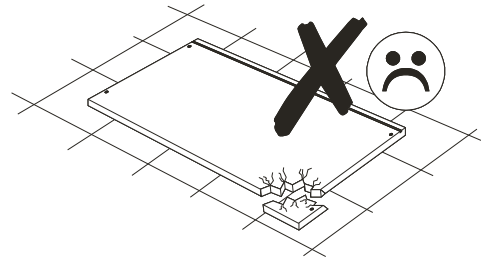
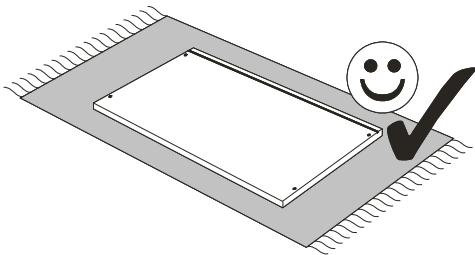
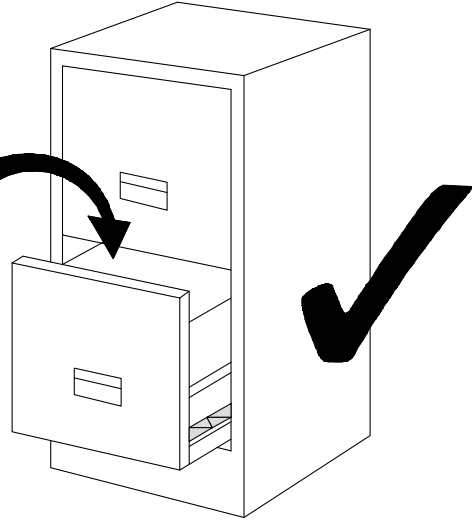
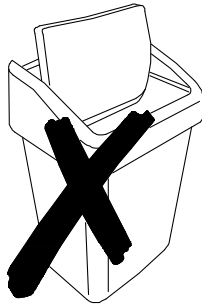
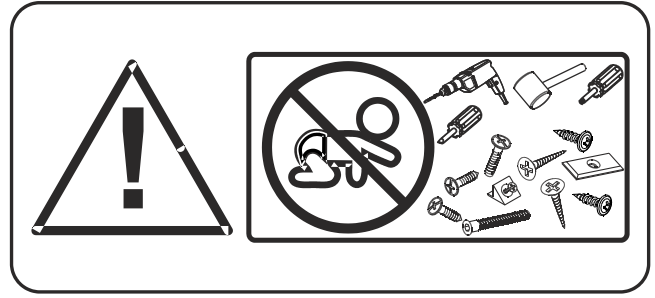
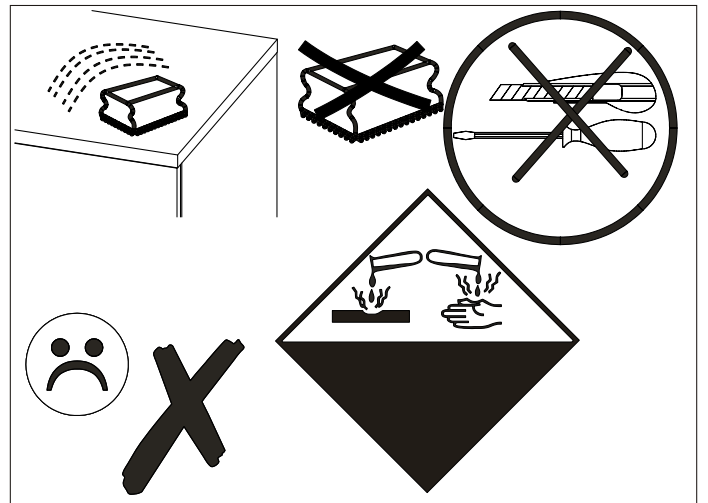
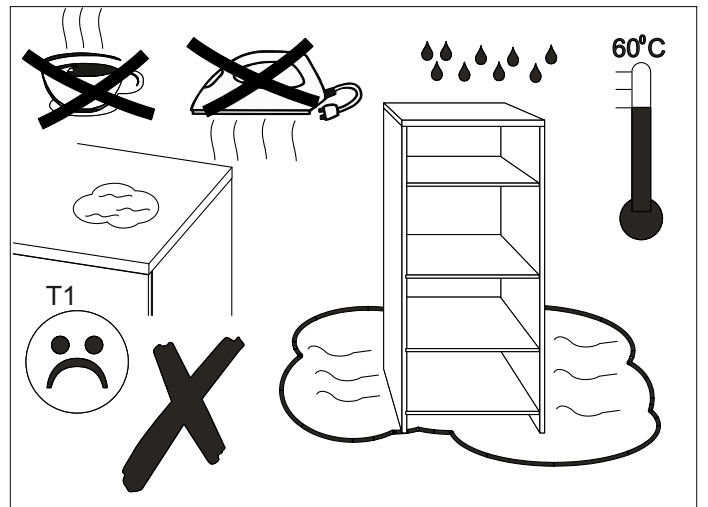
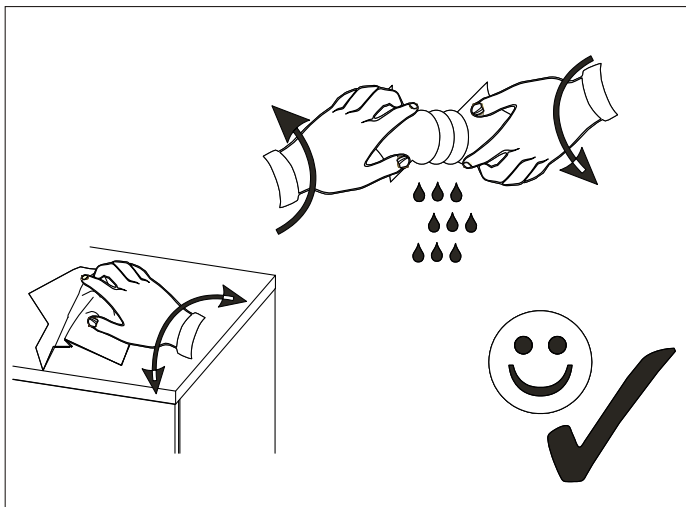
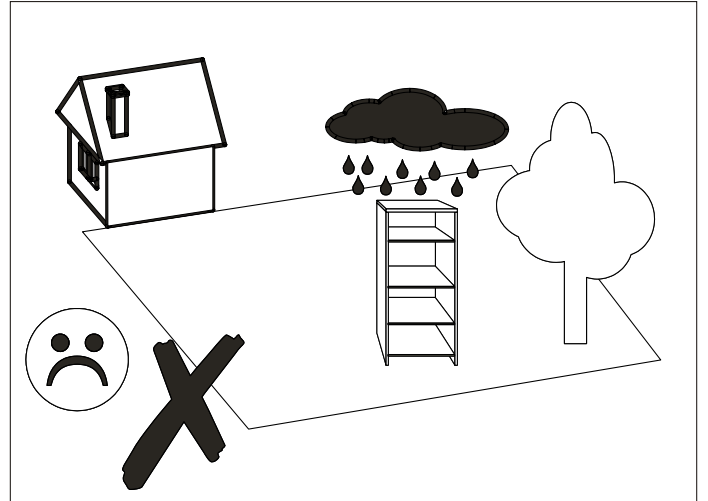
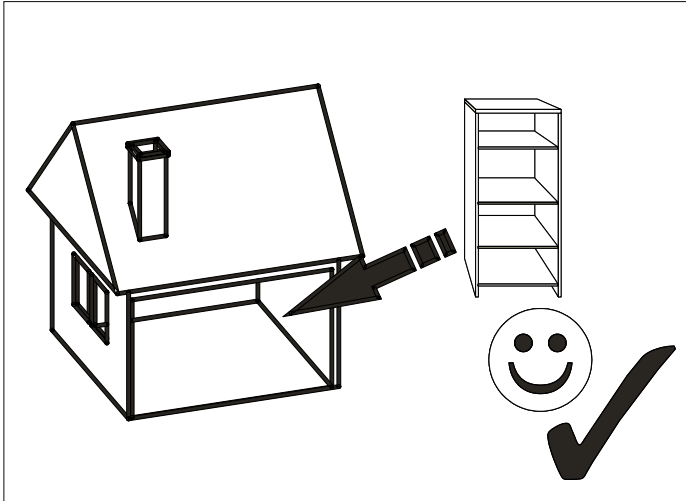


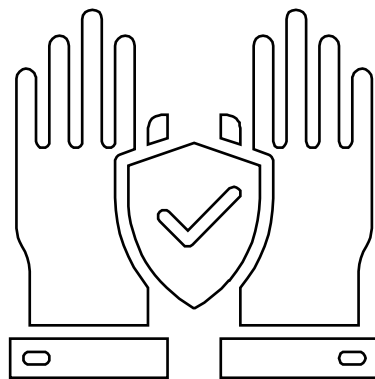
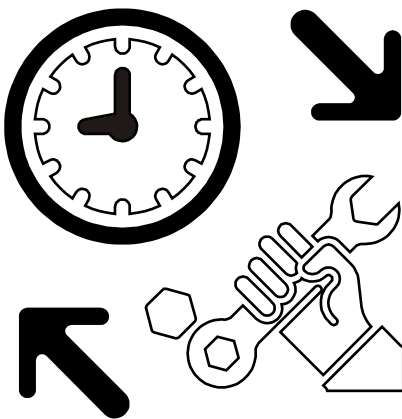
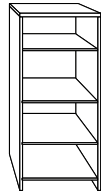
2x ZC45	4x 3.5x13 W3	4x B1	10x M4x24 S4					
24x #20/863 ZN1	8x 3x16 W6	10x ST1	4x #350L PK3	4x #350P PK3	10x 3x20 W9	4x N1		
16x 6.4x50 K5	28x 8x30 K1	5x U 1	1x K20	48x #15/15 cam lock"/> #15/15 M1	48x DU232T T1	16x 4,5x16 W7	30x 2x20 G1	16x 6x12 E1



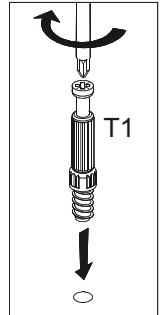
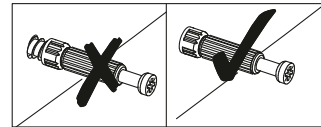
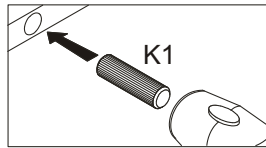
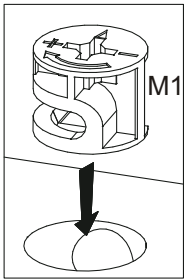
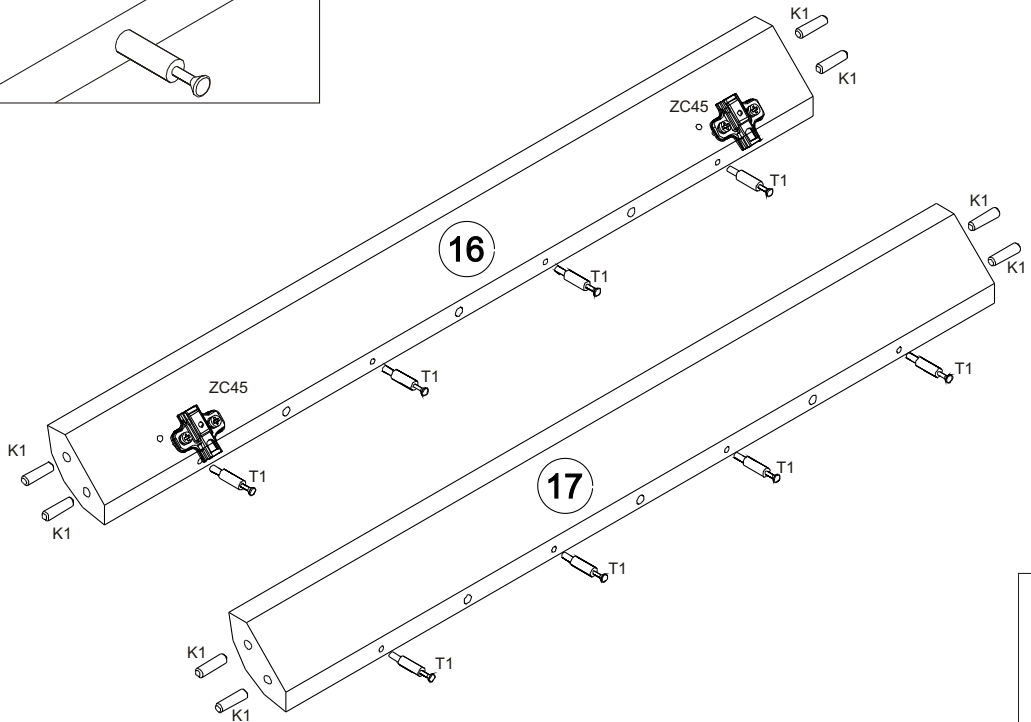
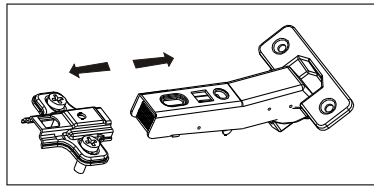
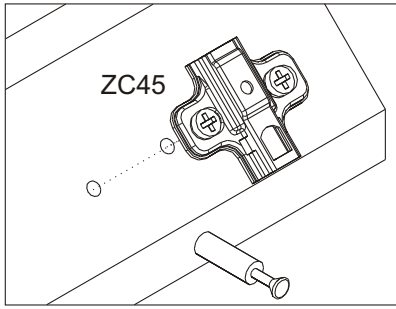
9	780x382	3/5			
8	1027x76	1/5	17	788x90.5	2/5
7	425x312	2/5	16	788x90.5	2/5
6	788x217	2/5	15	1038x798	1/5
5	788x359	2/5	14	355x502	1/5
4	788x335.5	2/5	13	487x124	1/5
3	788x335.5	2/5	12	350x136	1/5
2	1060x400	1/5	11	350x136	1/5
1	1060x400	1/5	10	540x192	3/5



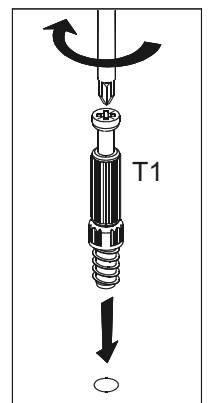
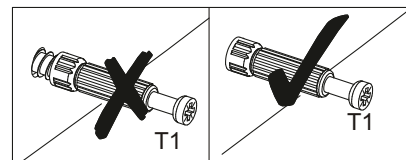
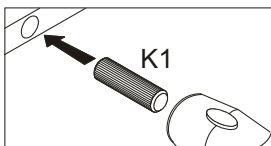
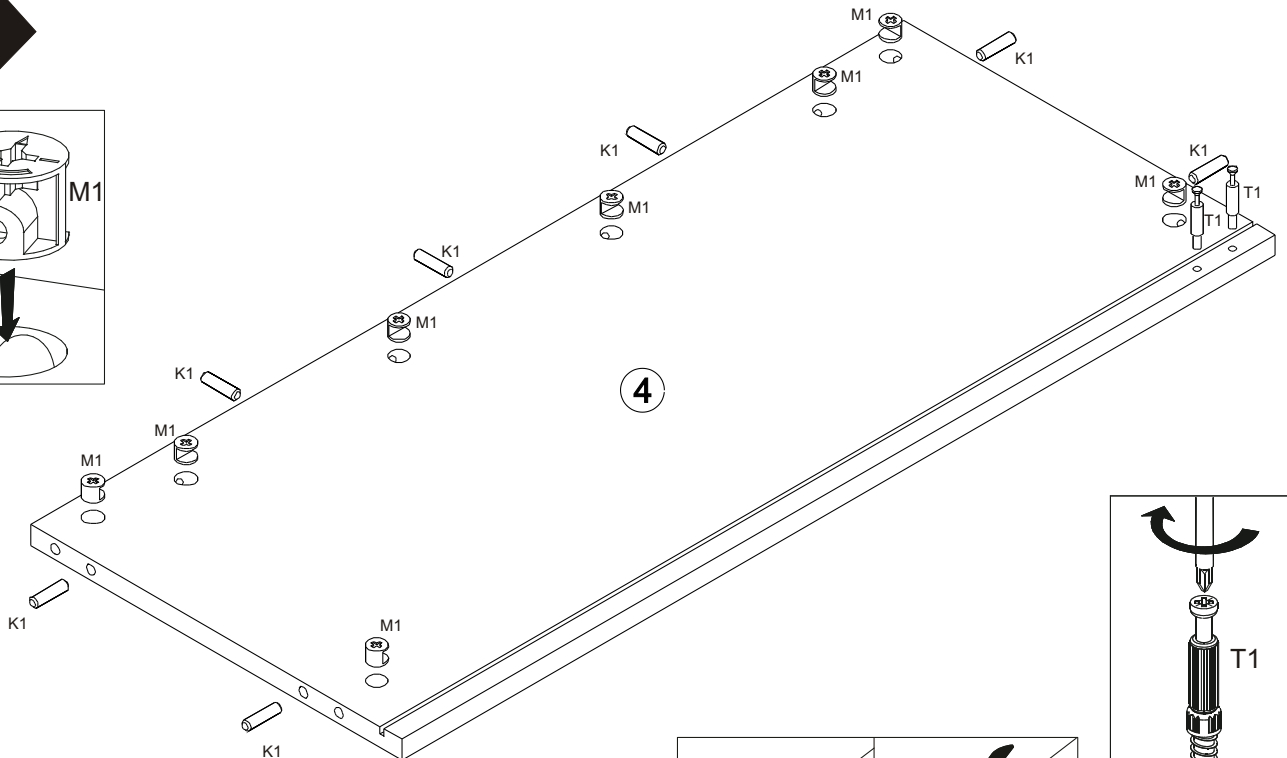
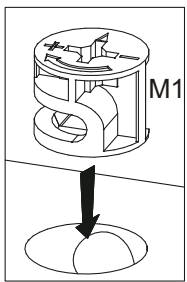




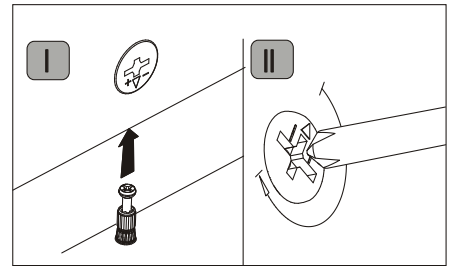
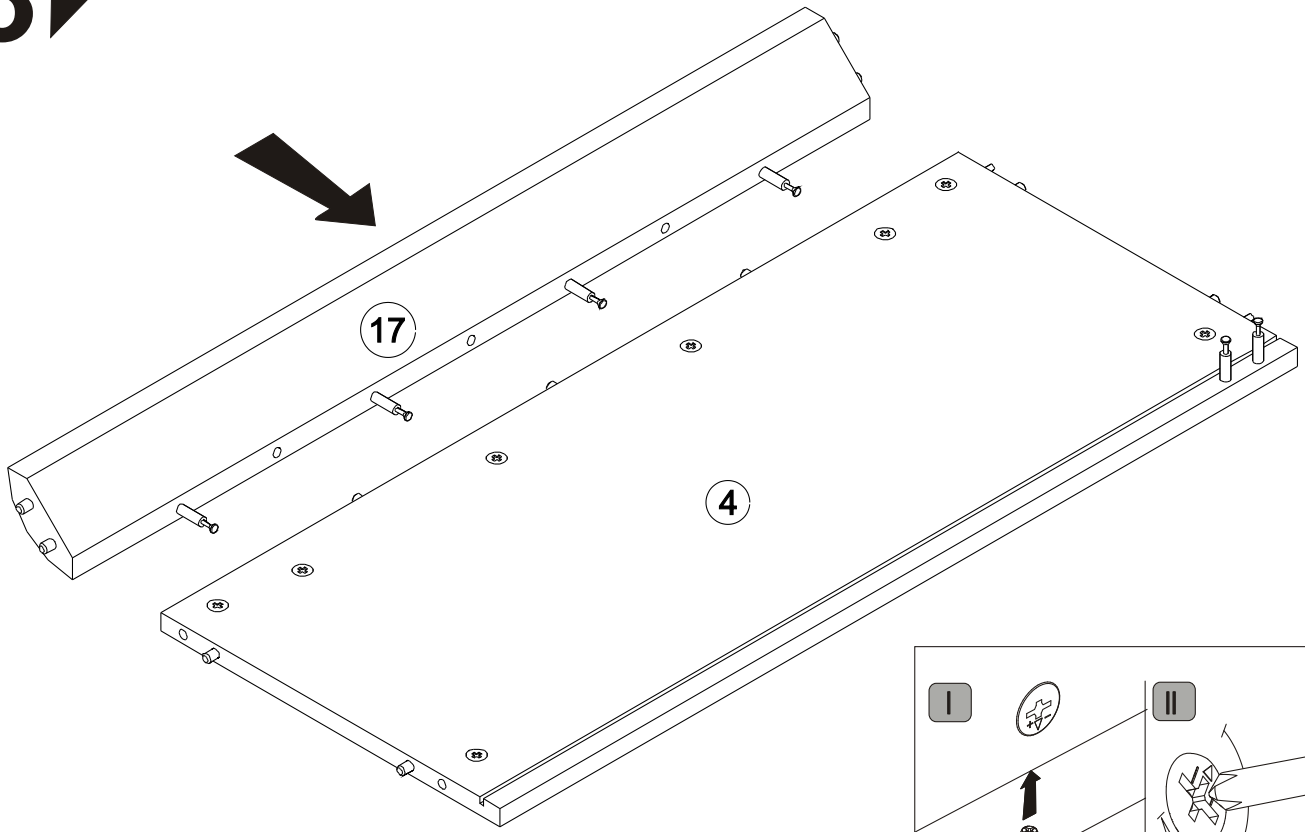
1



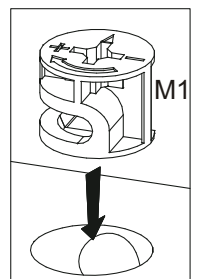
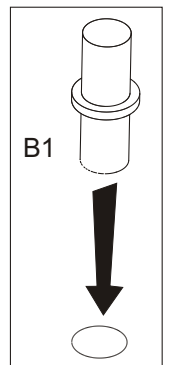
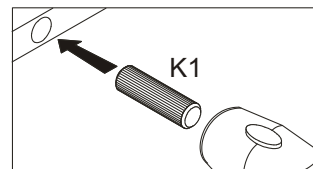
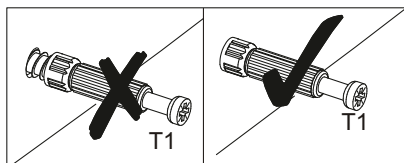
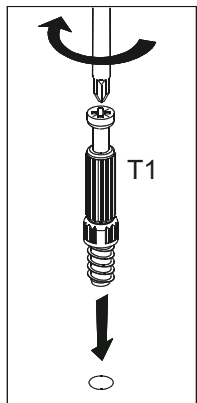
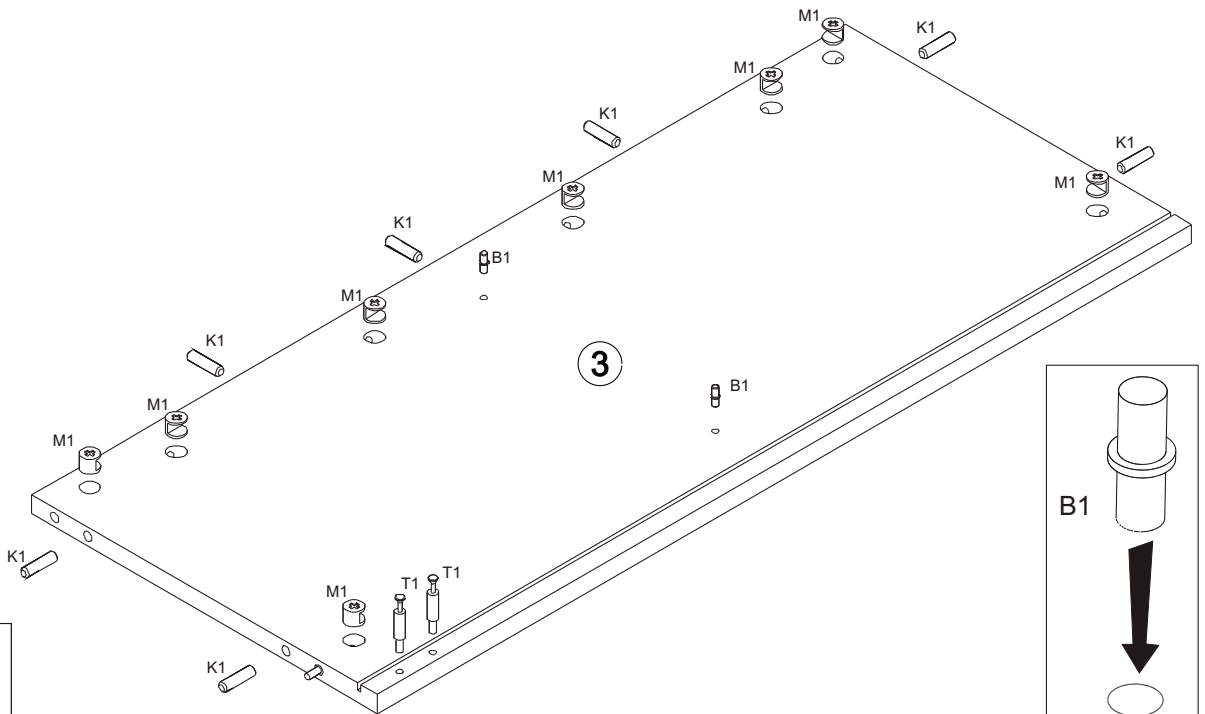
2



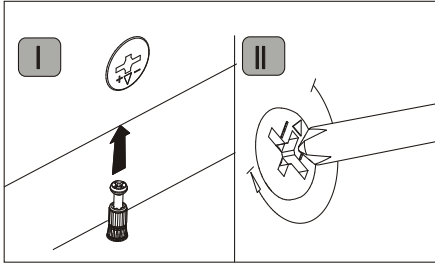
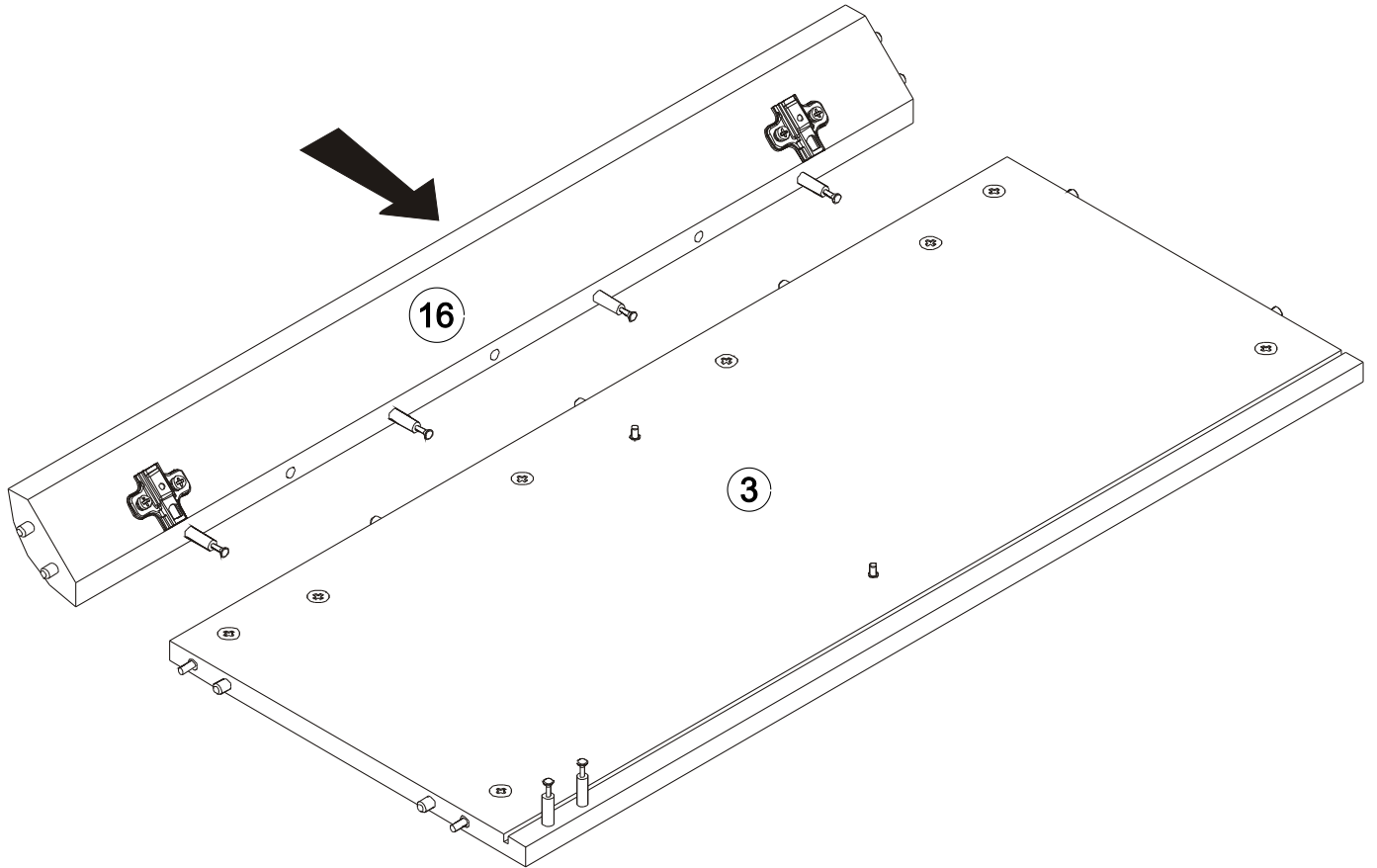
3



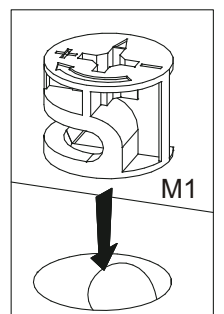
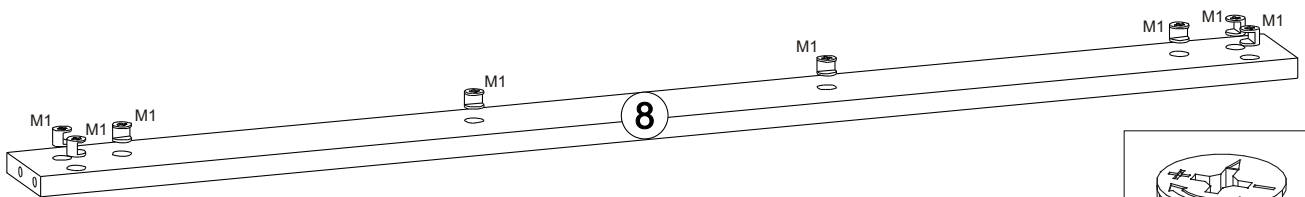
4



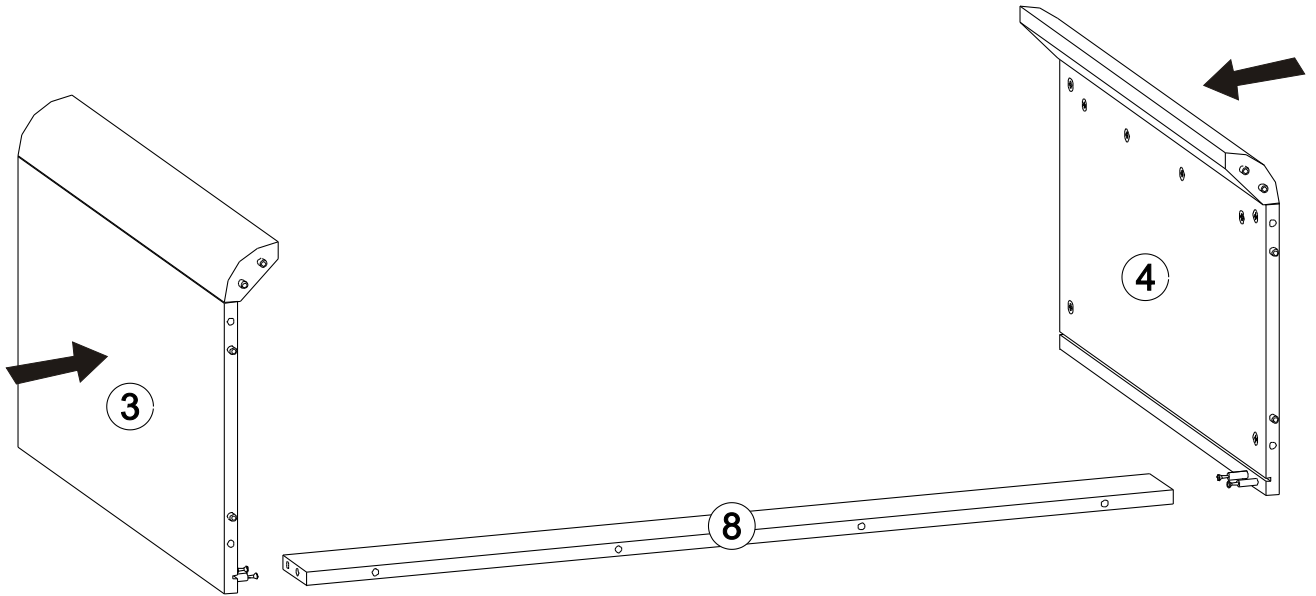
5 ▶



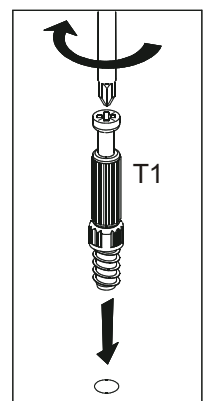
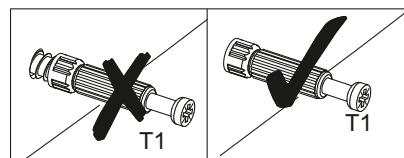
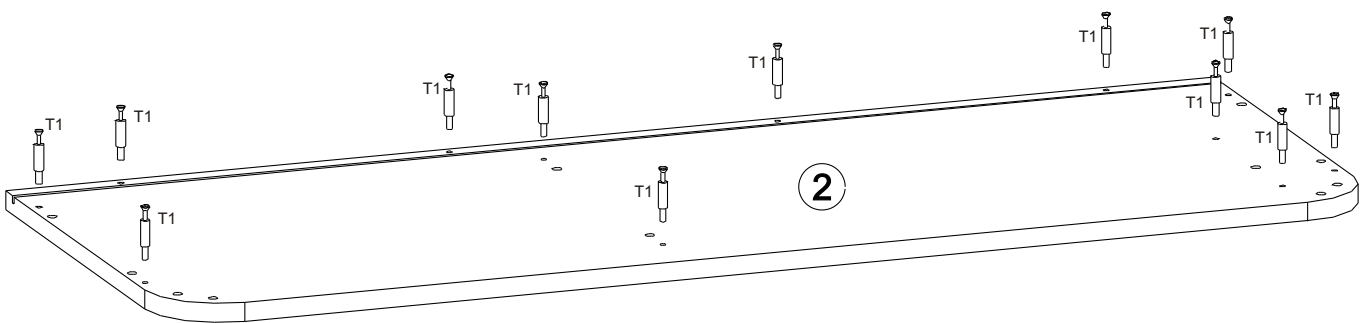
6 ▶



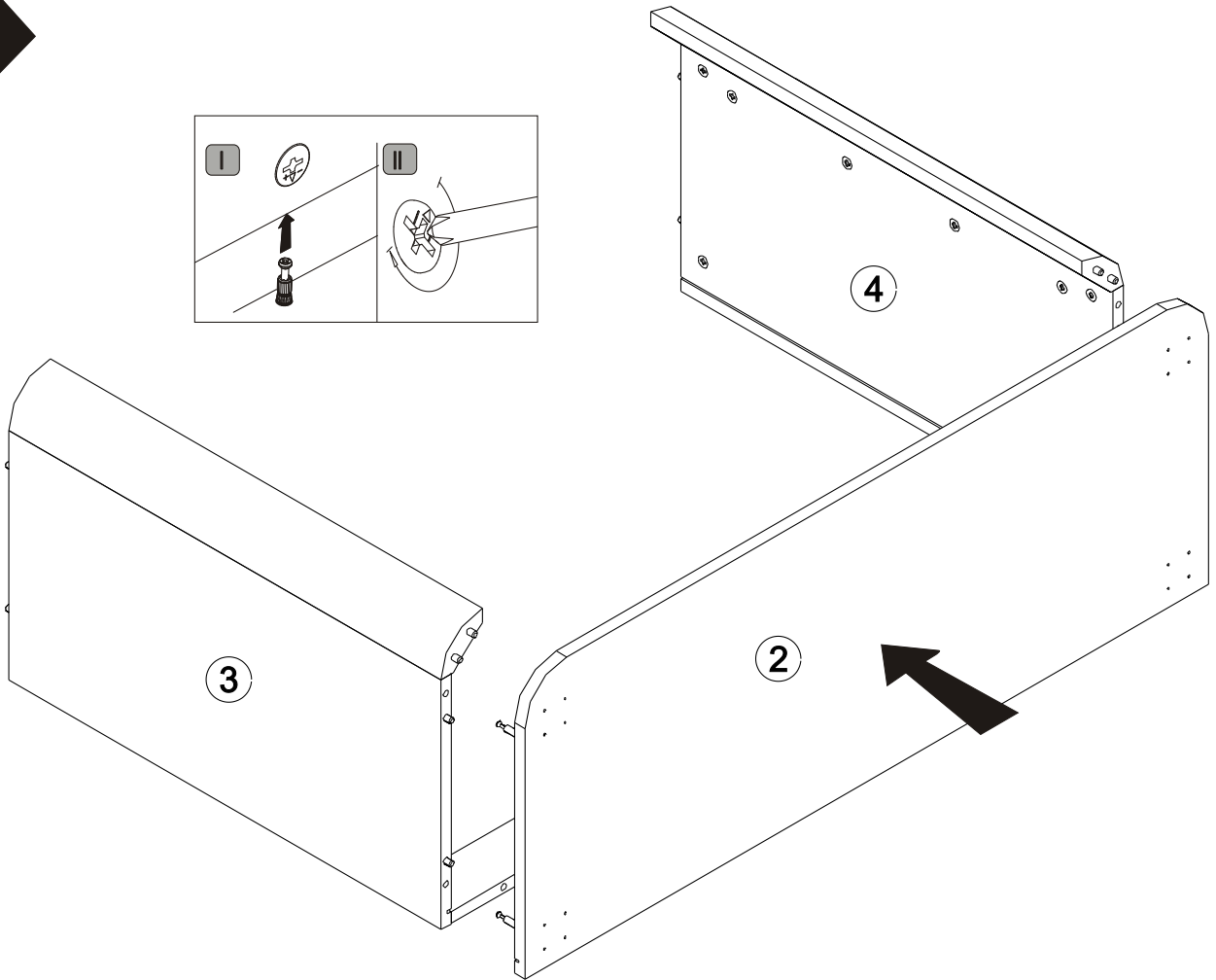
7 ▶



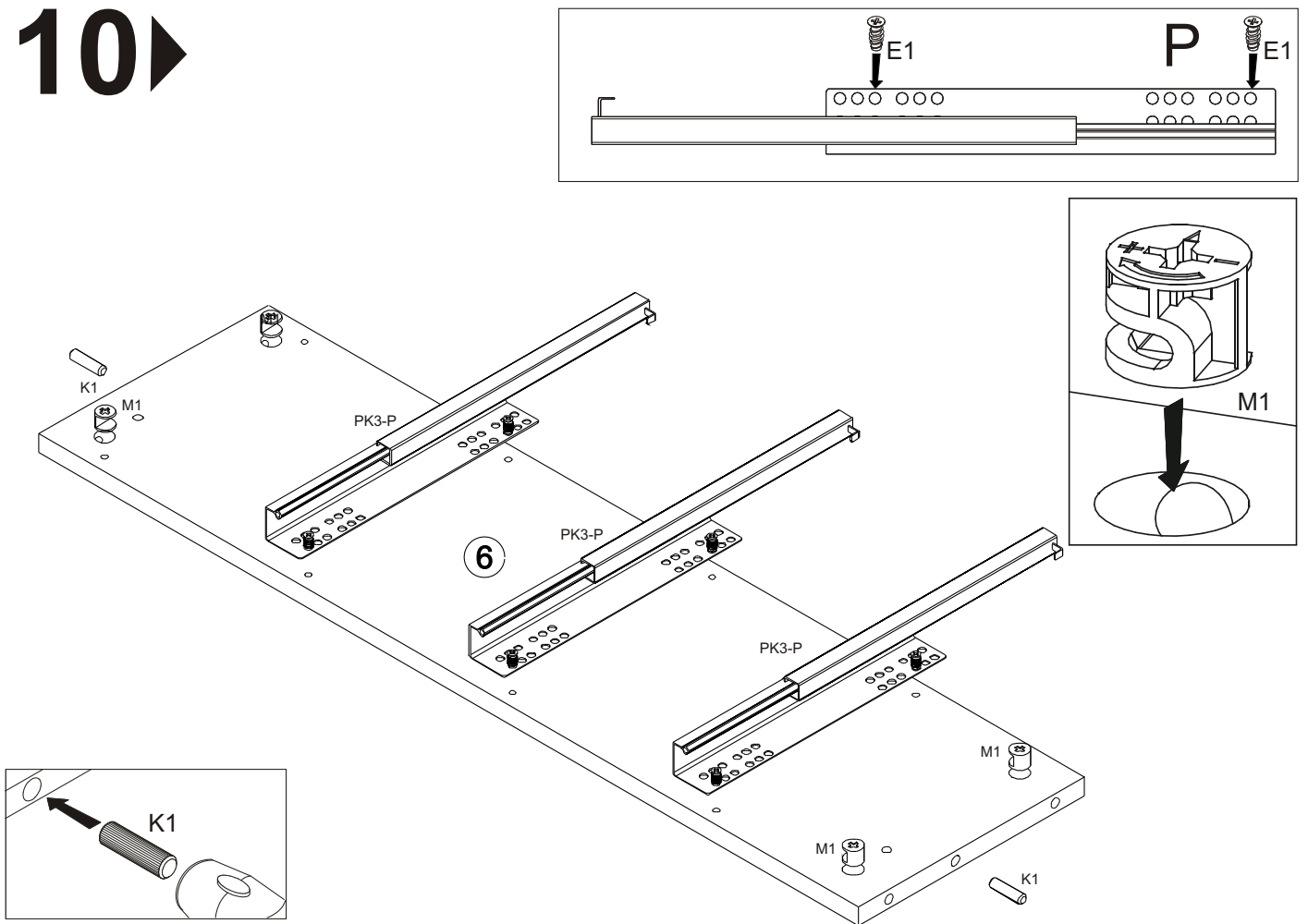
8 ▶



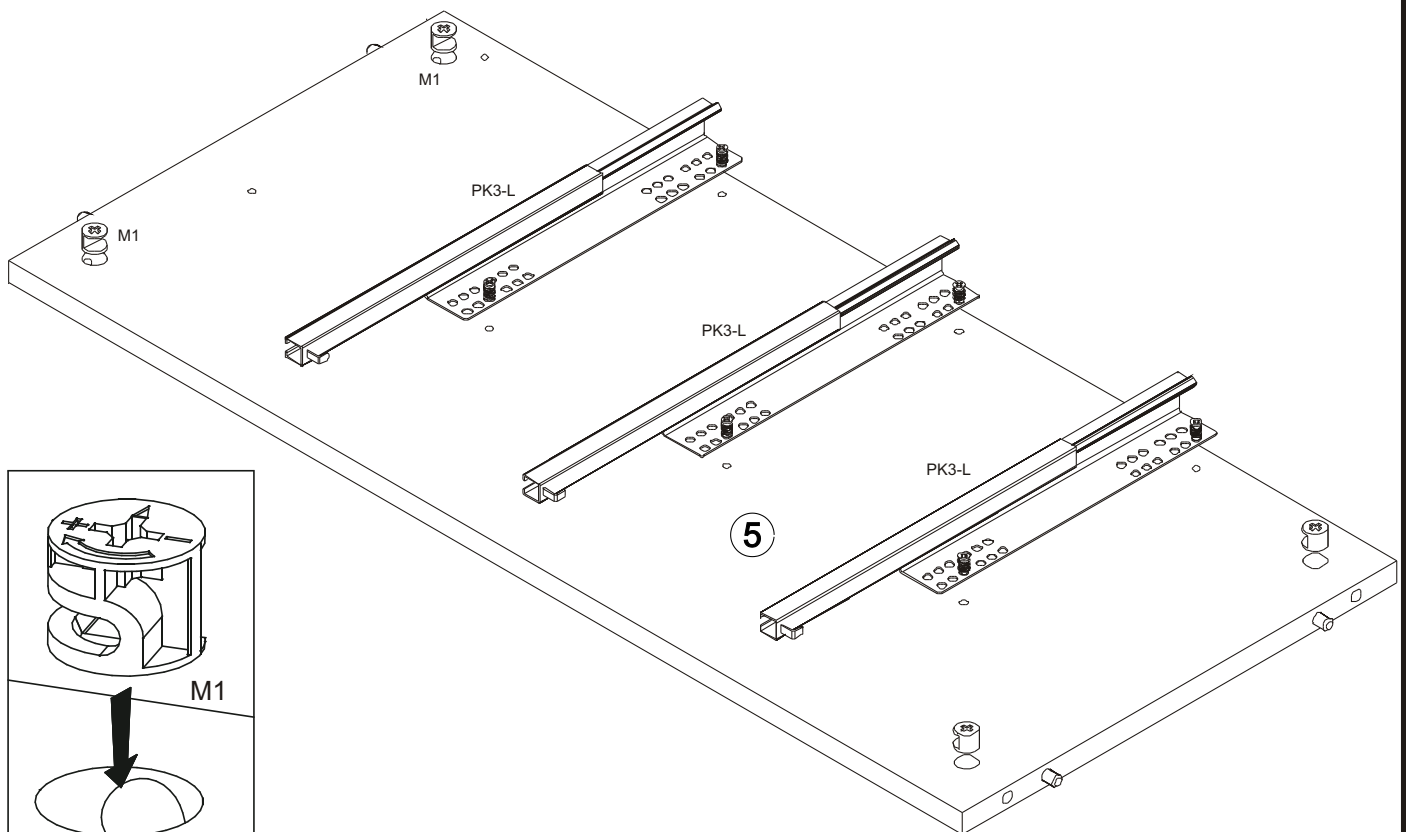
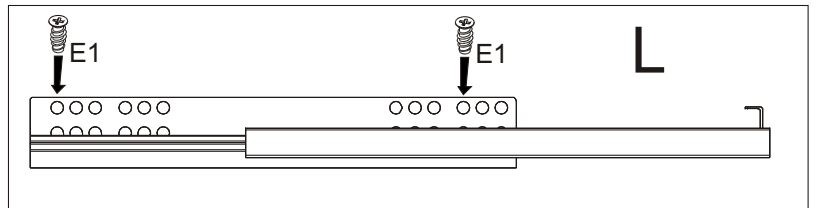
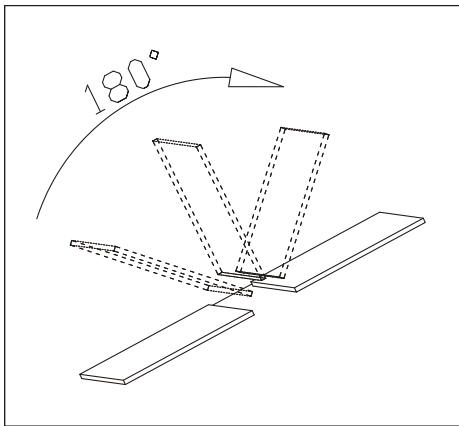
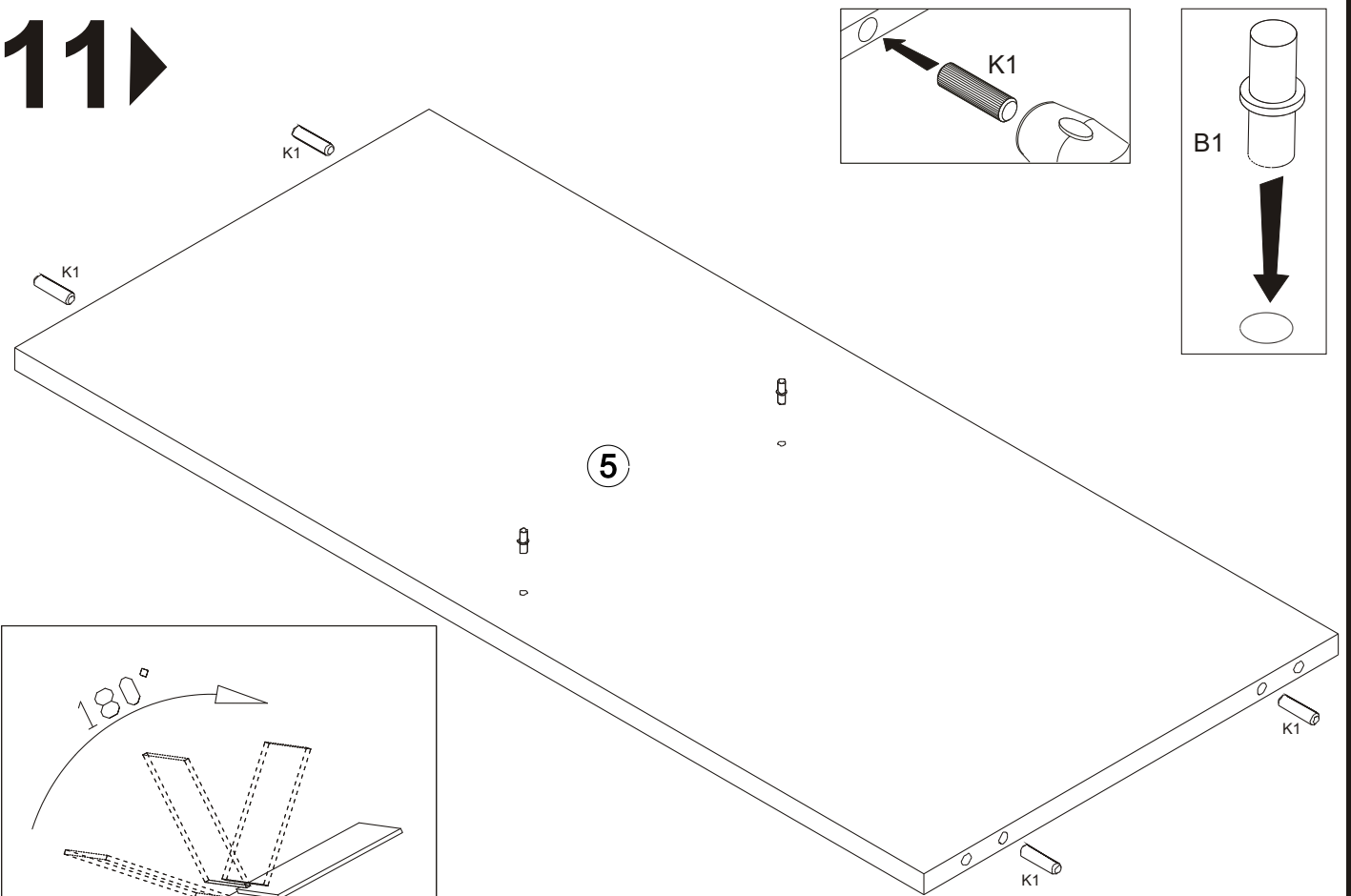
9 ▶



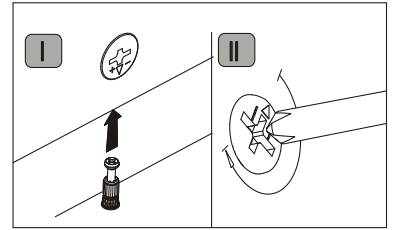
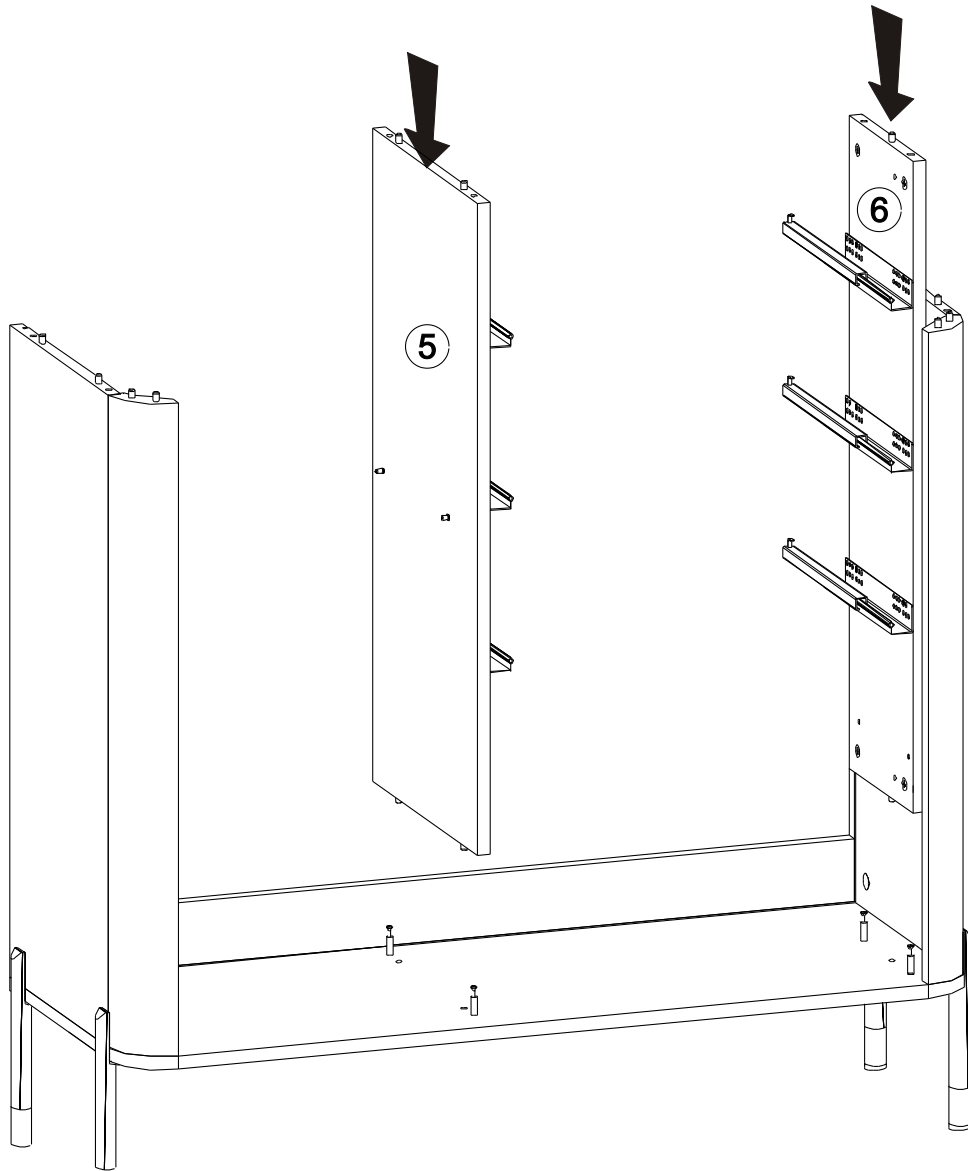
10 ▶



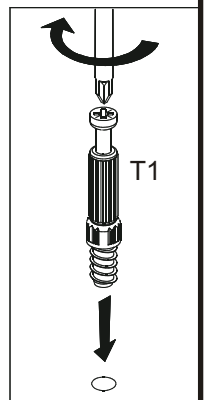
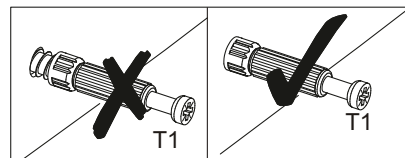
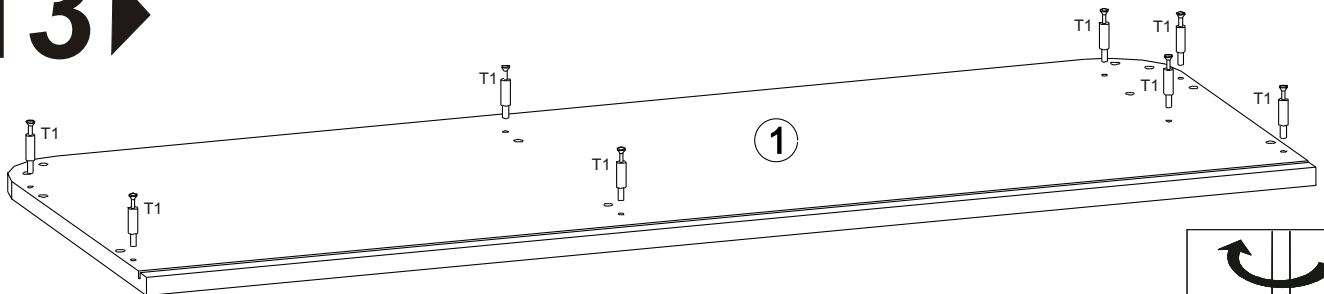
11 ▶



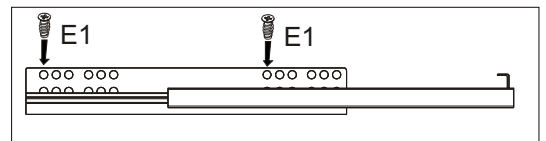
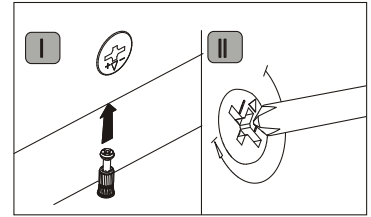
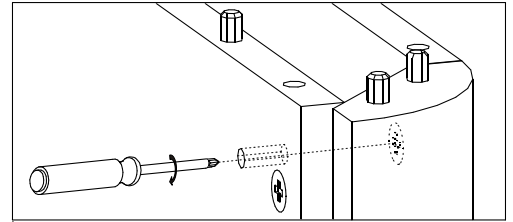
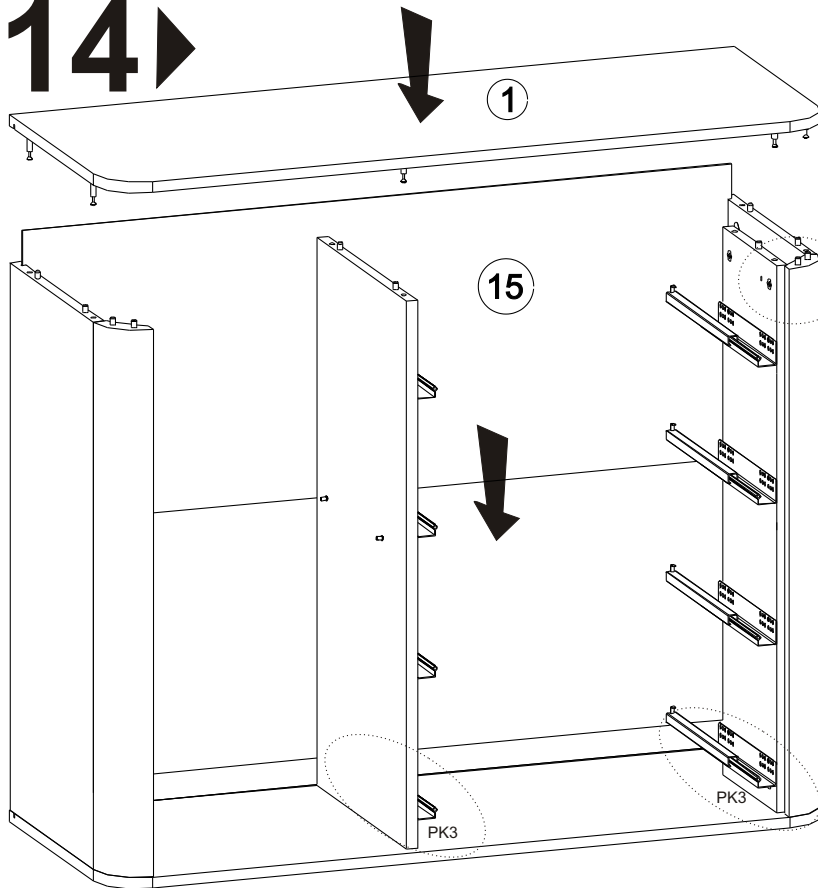
12 ▶



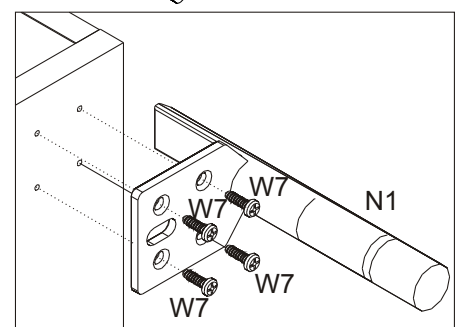
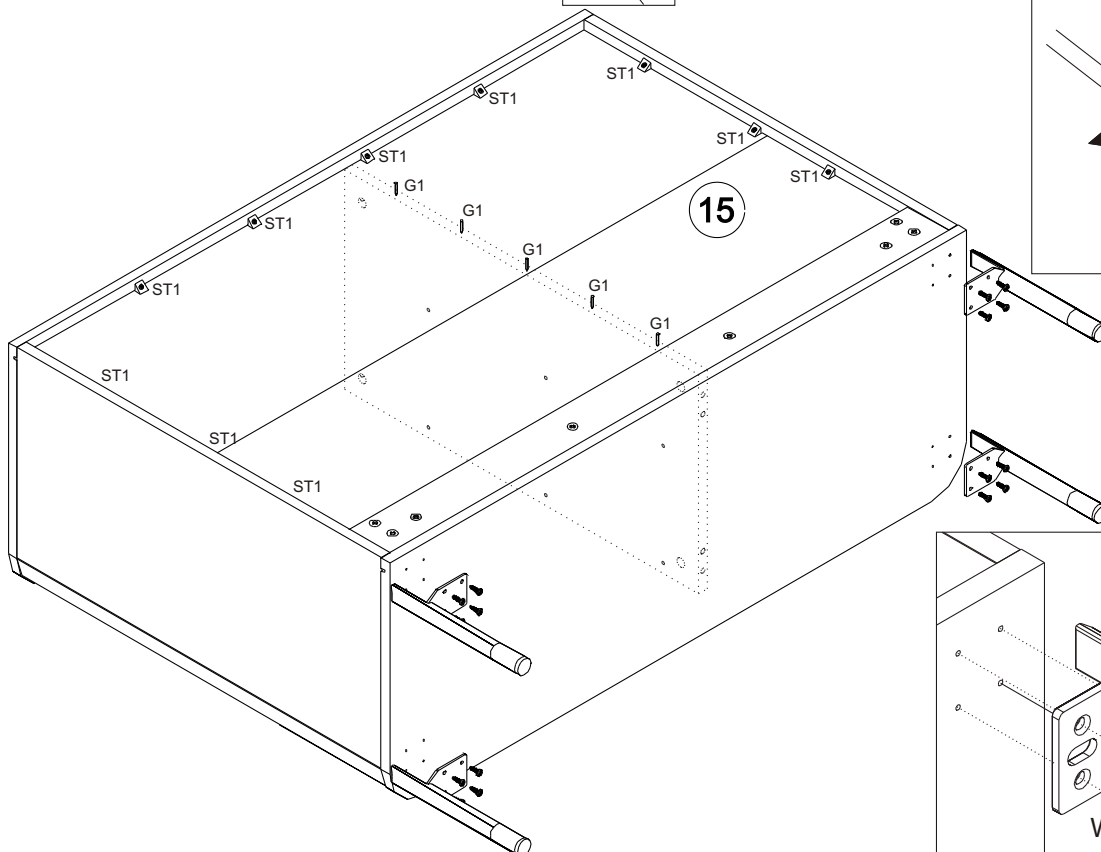
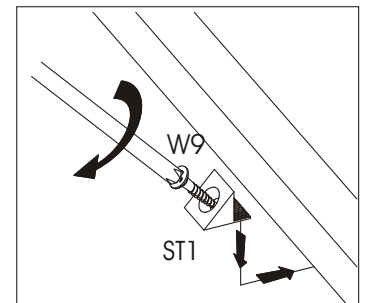
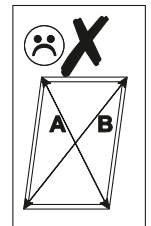
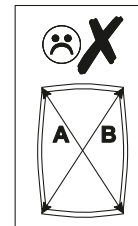
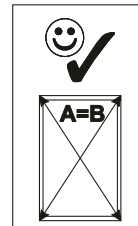
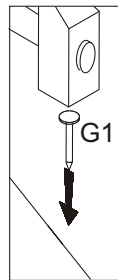
13 ▶



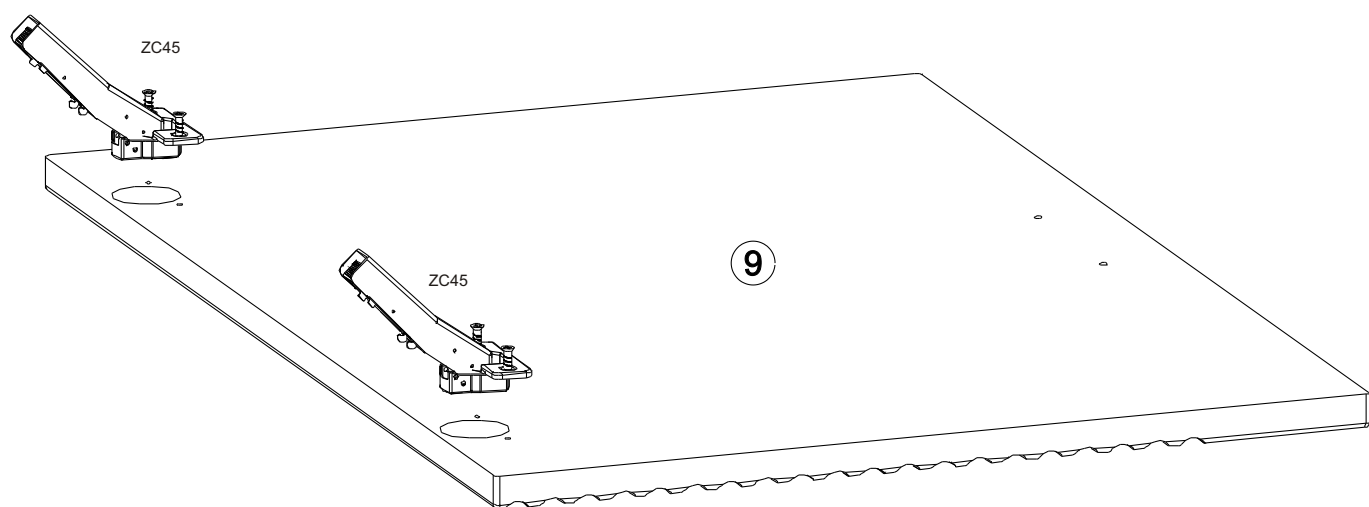
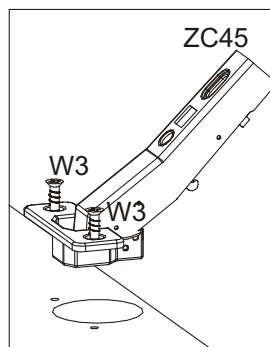
14▶



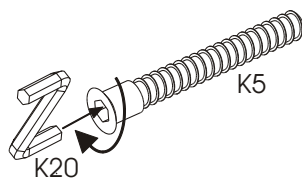
15▶



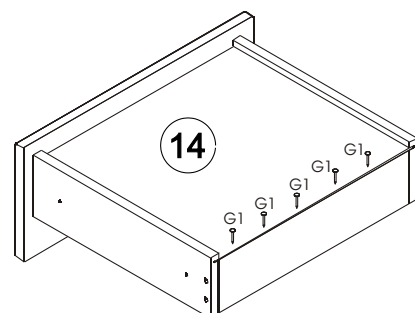
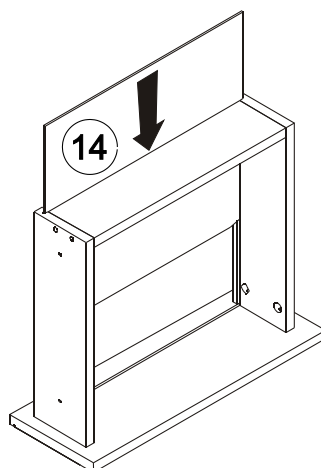
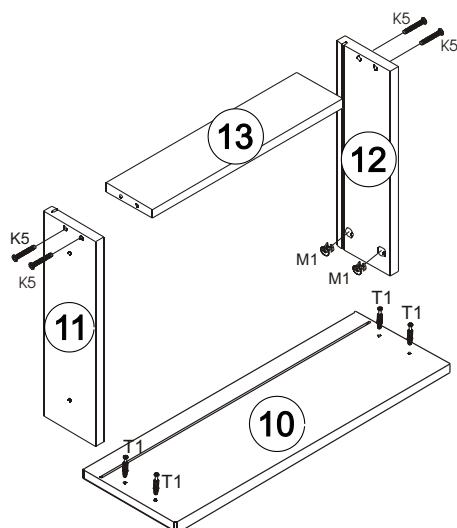
16▶



17▶



x4



18 ▶

