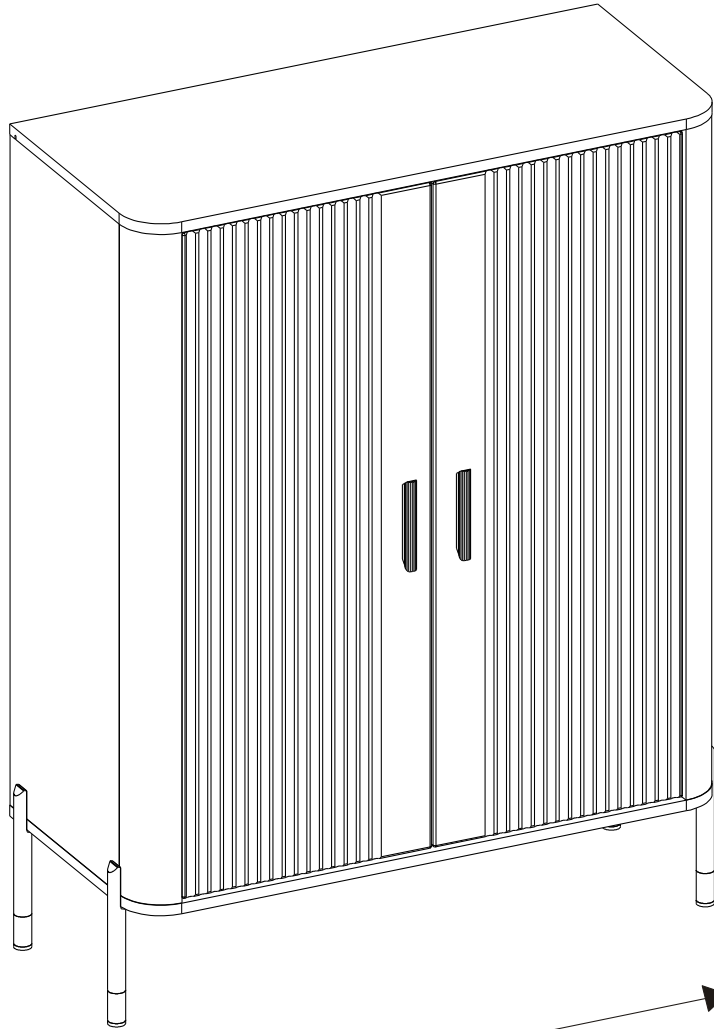


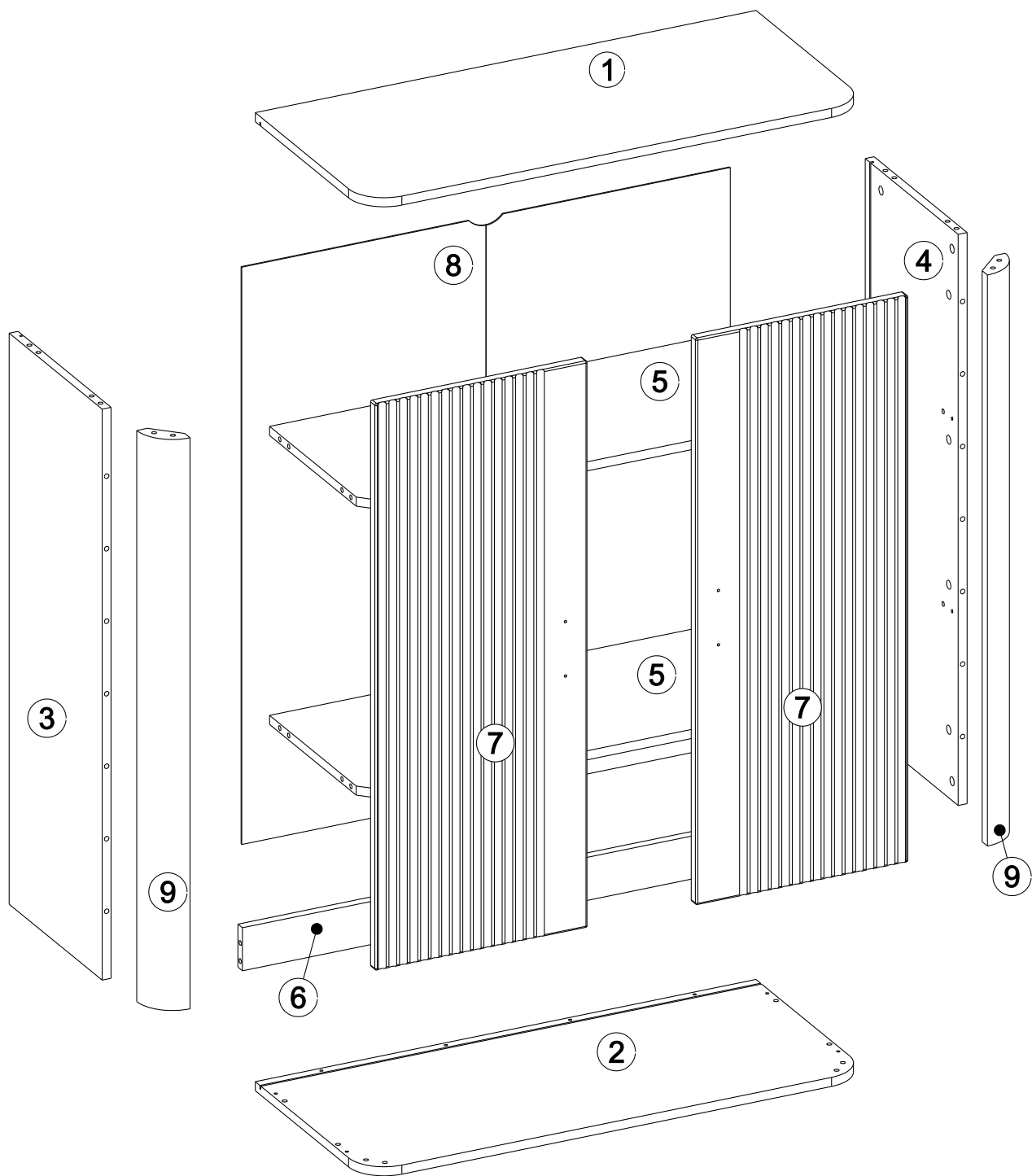
122

40

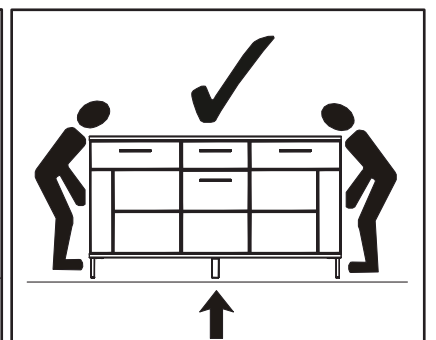
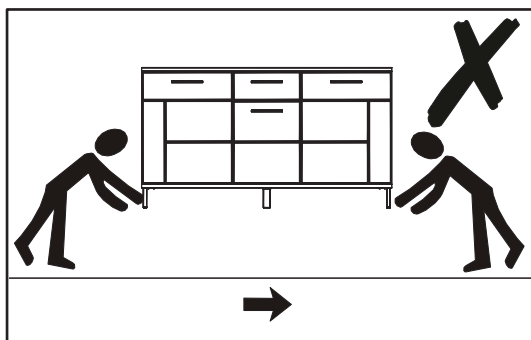
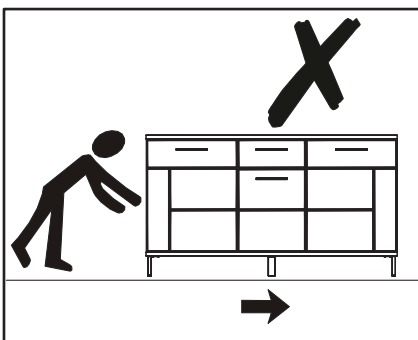
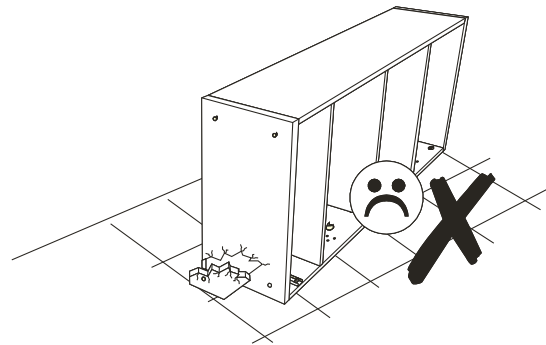
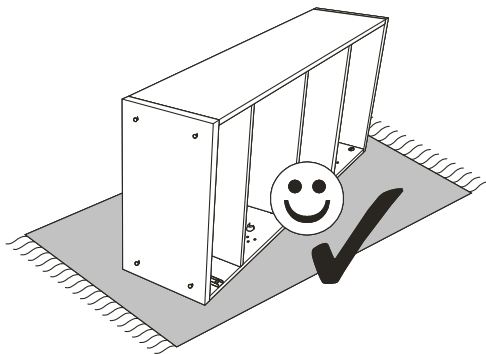
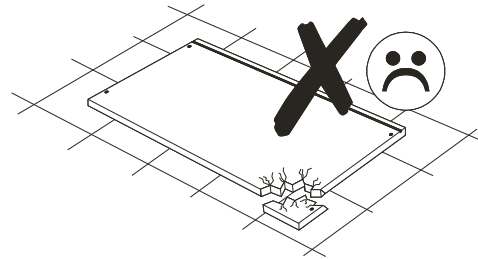
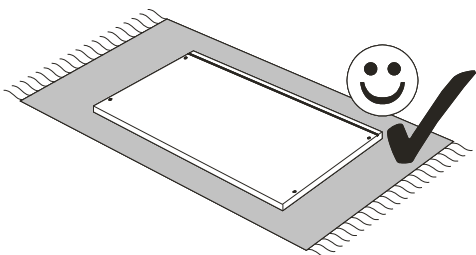
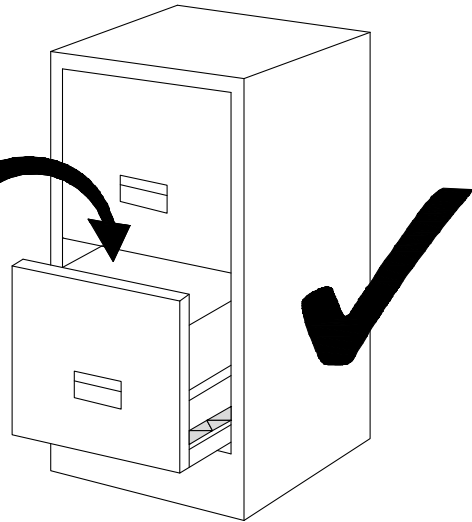
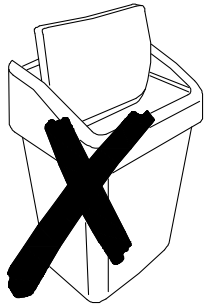
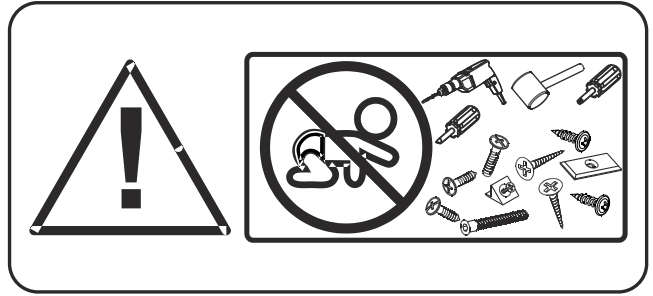
93

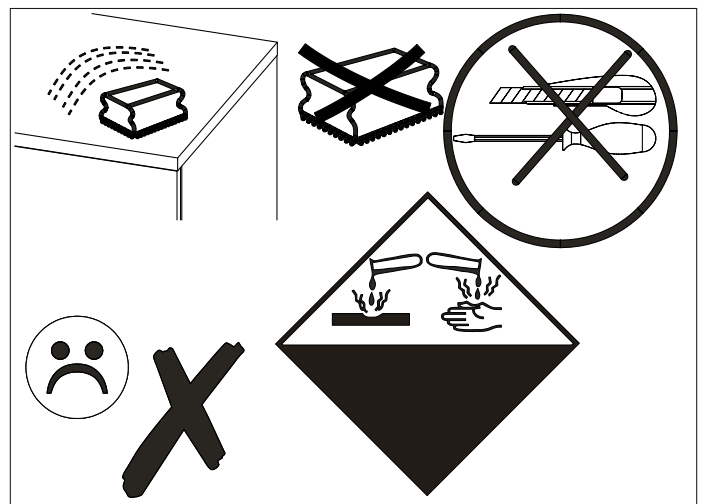
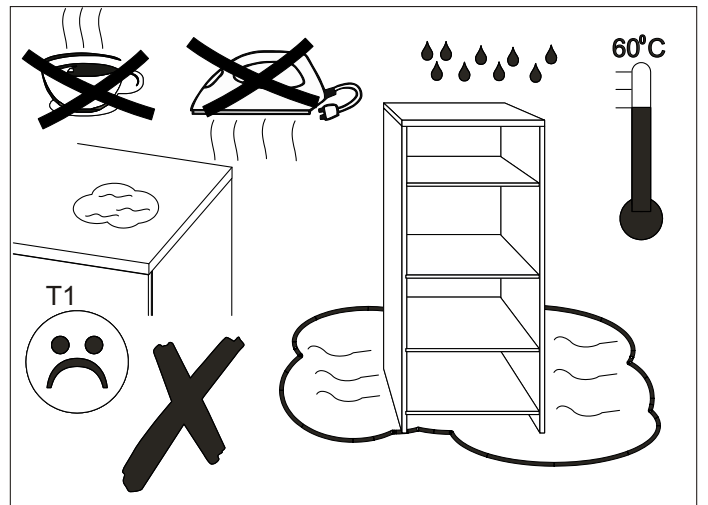
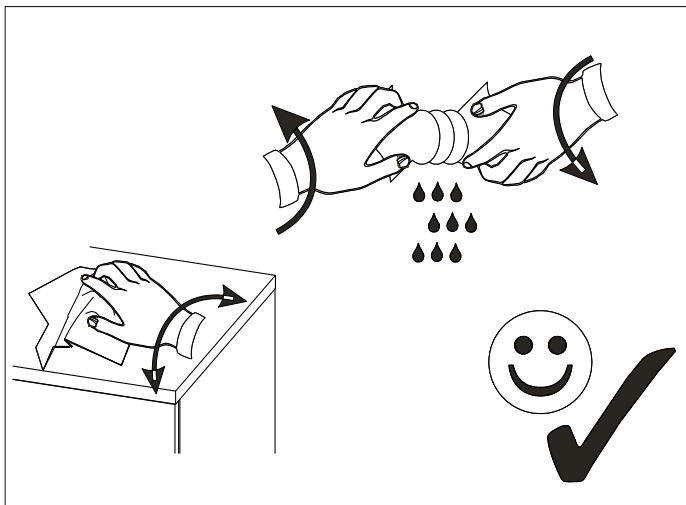
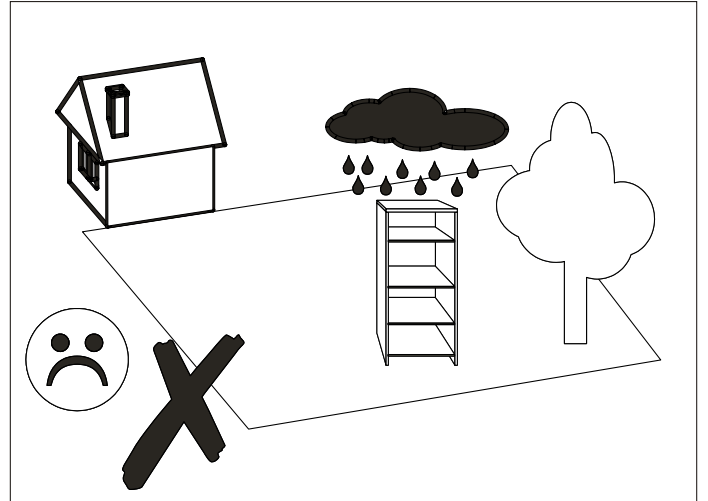
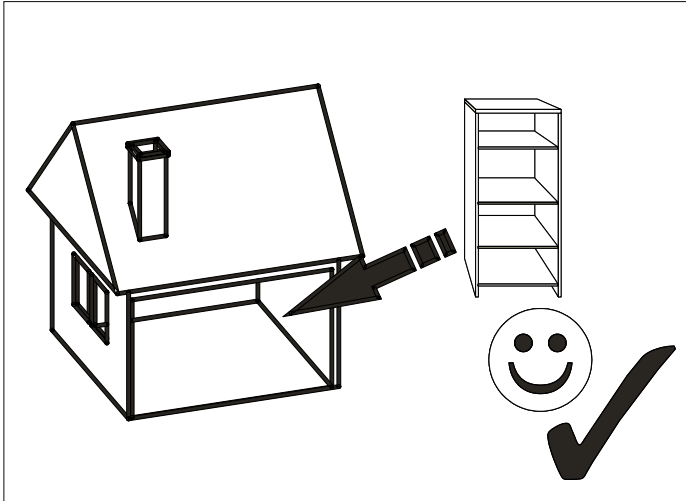


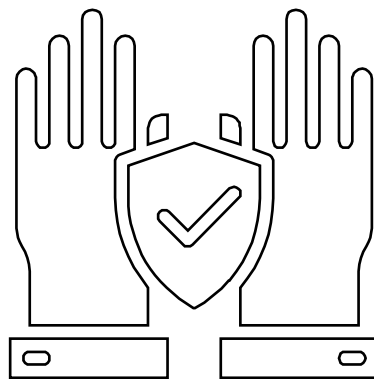
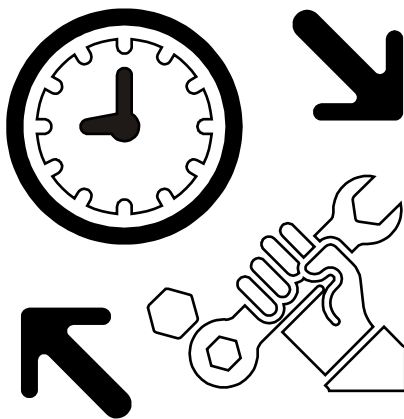
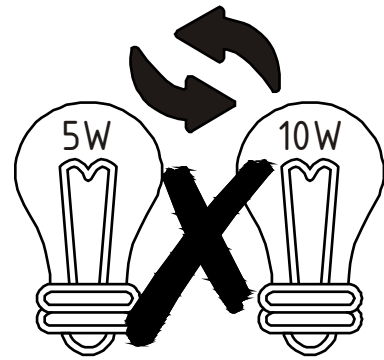
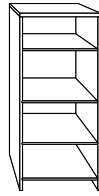
24x #20/863 ZN1	14x 3.5x13 W3	9x ST1	8x 3x16 W6	4x N1	9x 3x20 W9	1x Ł1	2x 4mm O1	
16x 6.4x50 K5	30x 8x30 K1	2x U 1	6x ZC45	32x #15/15 M1	32x DU232T T1	16x 4.5x16 W7	10x 2x20 G1	6x M4x24 S4



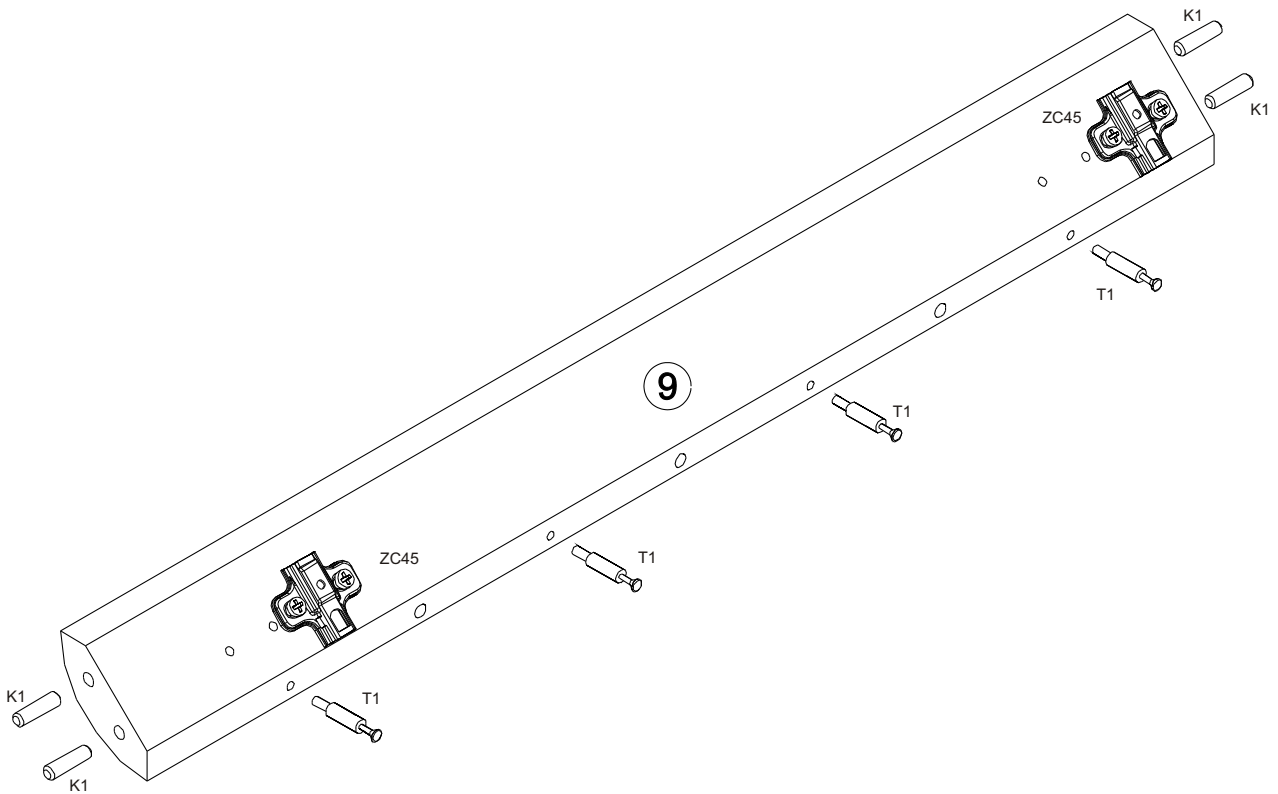
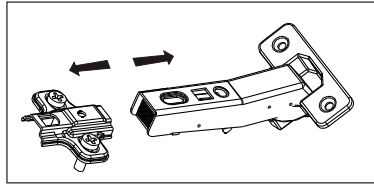
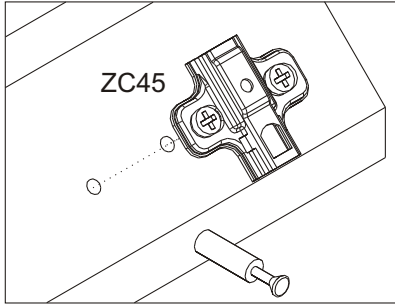
9	1008x90.5	2/5
8	1019x880	2/5
7	382x1000	3/5
6	869x76	1/5
5	869x354	2/5
4	1008x335.5	2/5
3	1008x335.5	2/5
2	902x400	1/5
1	902x400	1/5



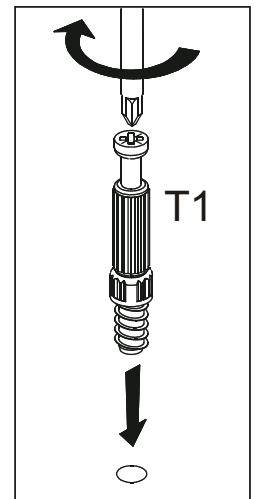
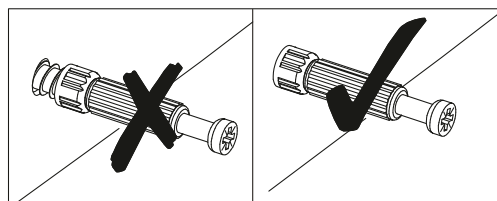
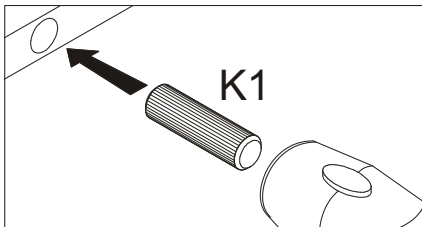




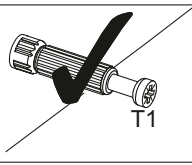
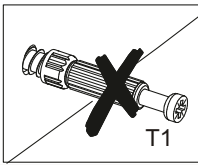
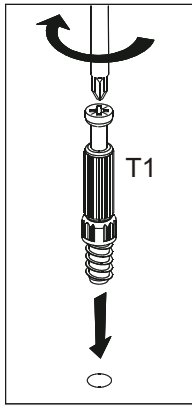
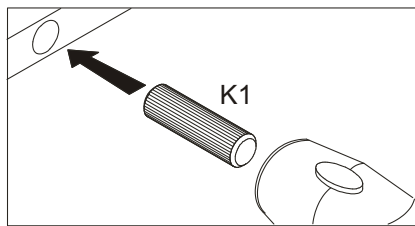
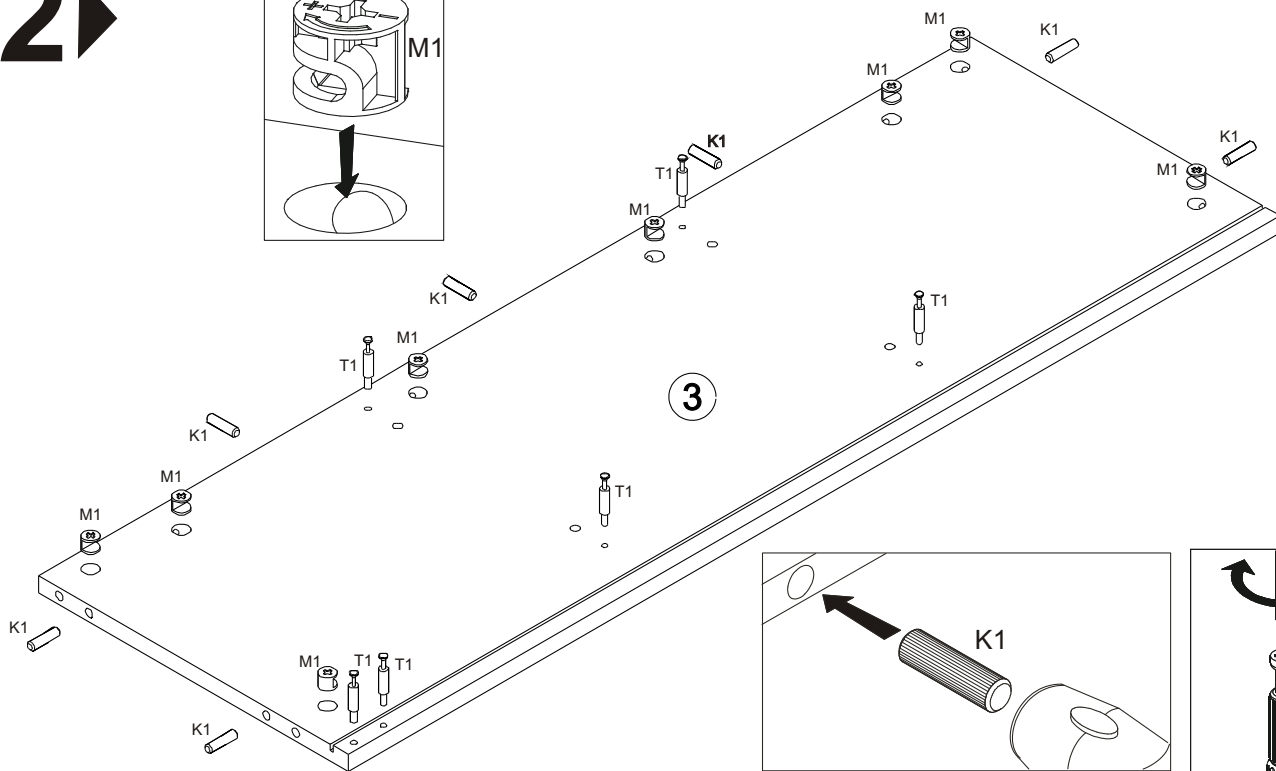
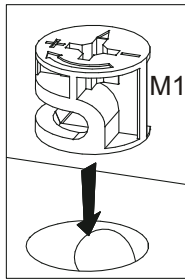
1 ▶



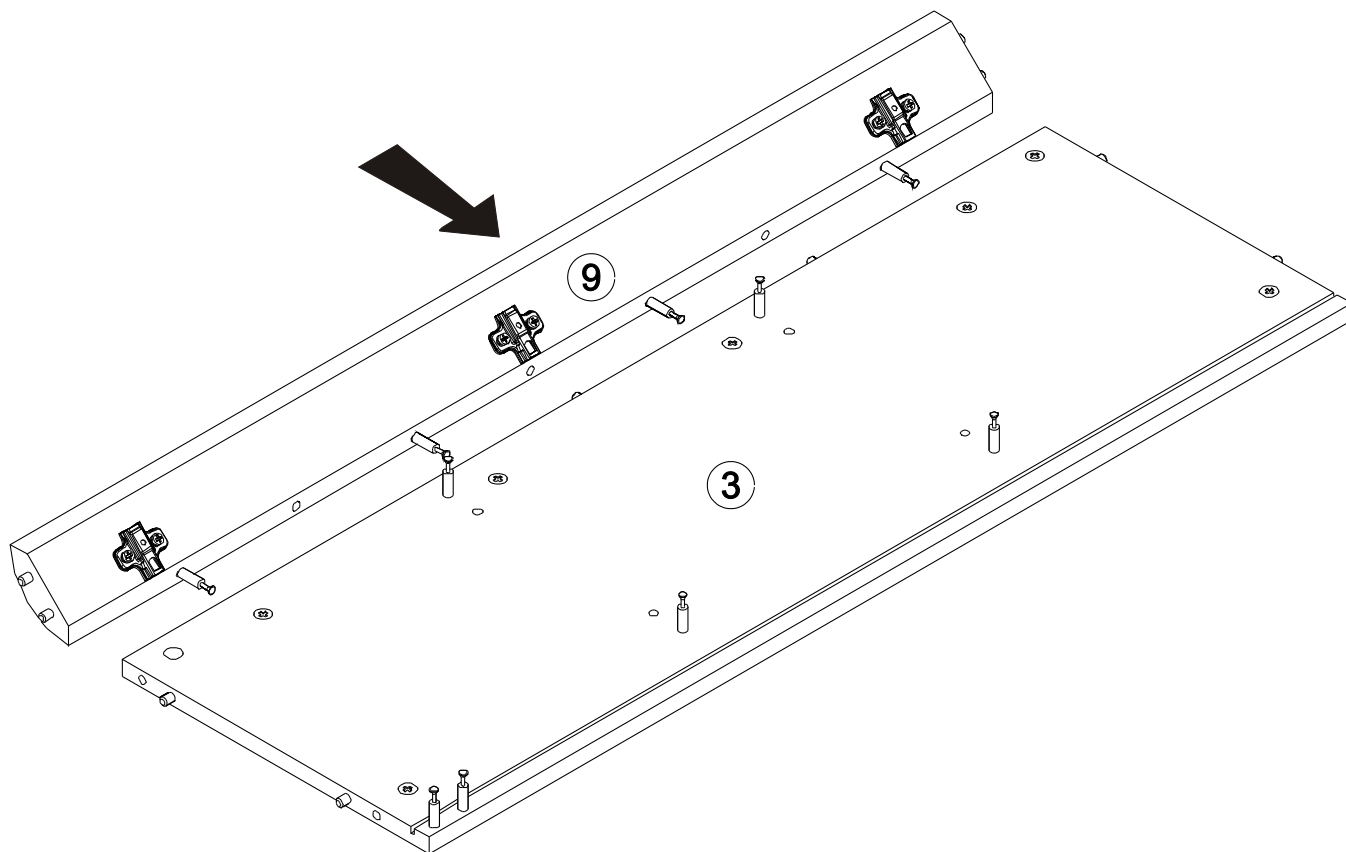
x2



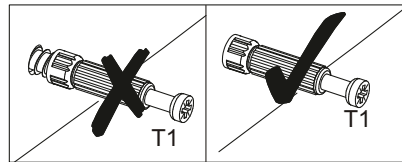
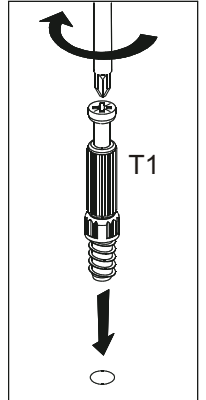
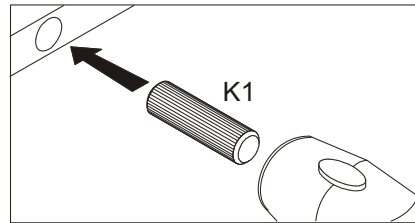
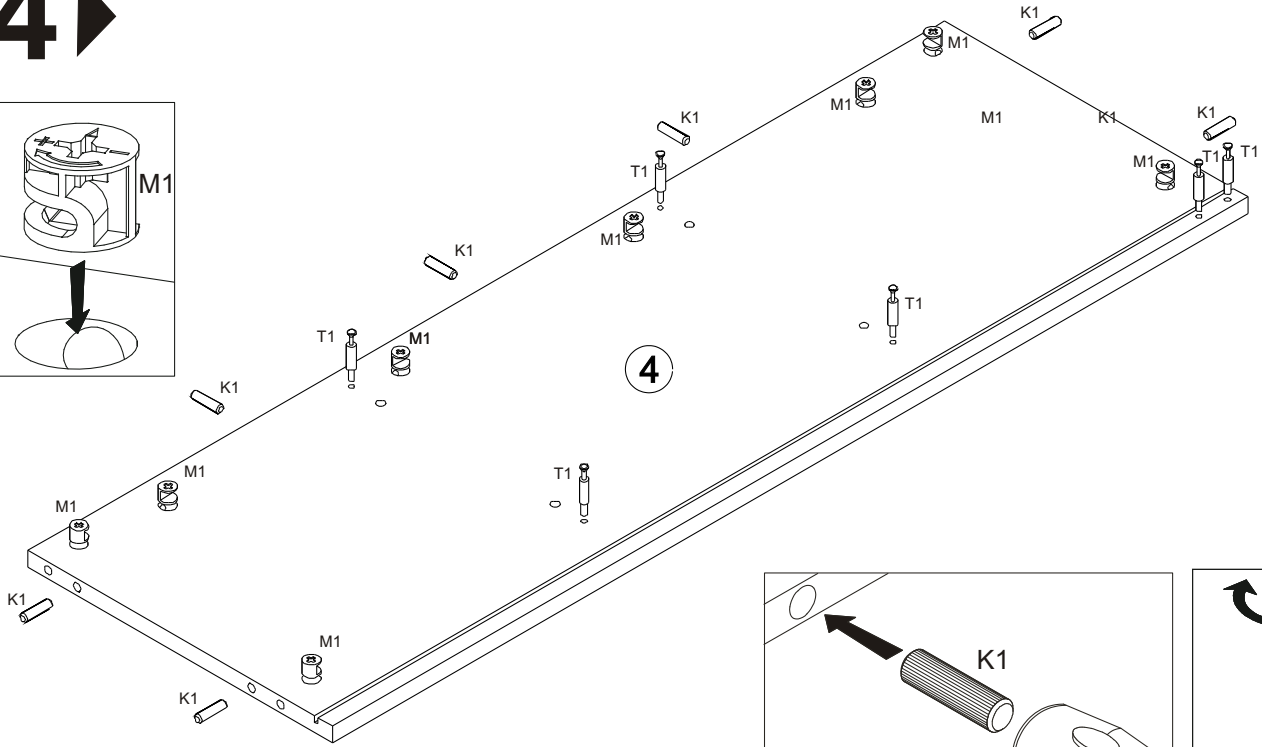
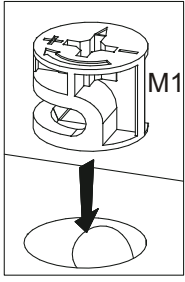
2 ▶



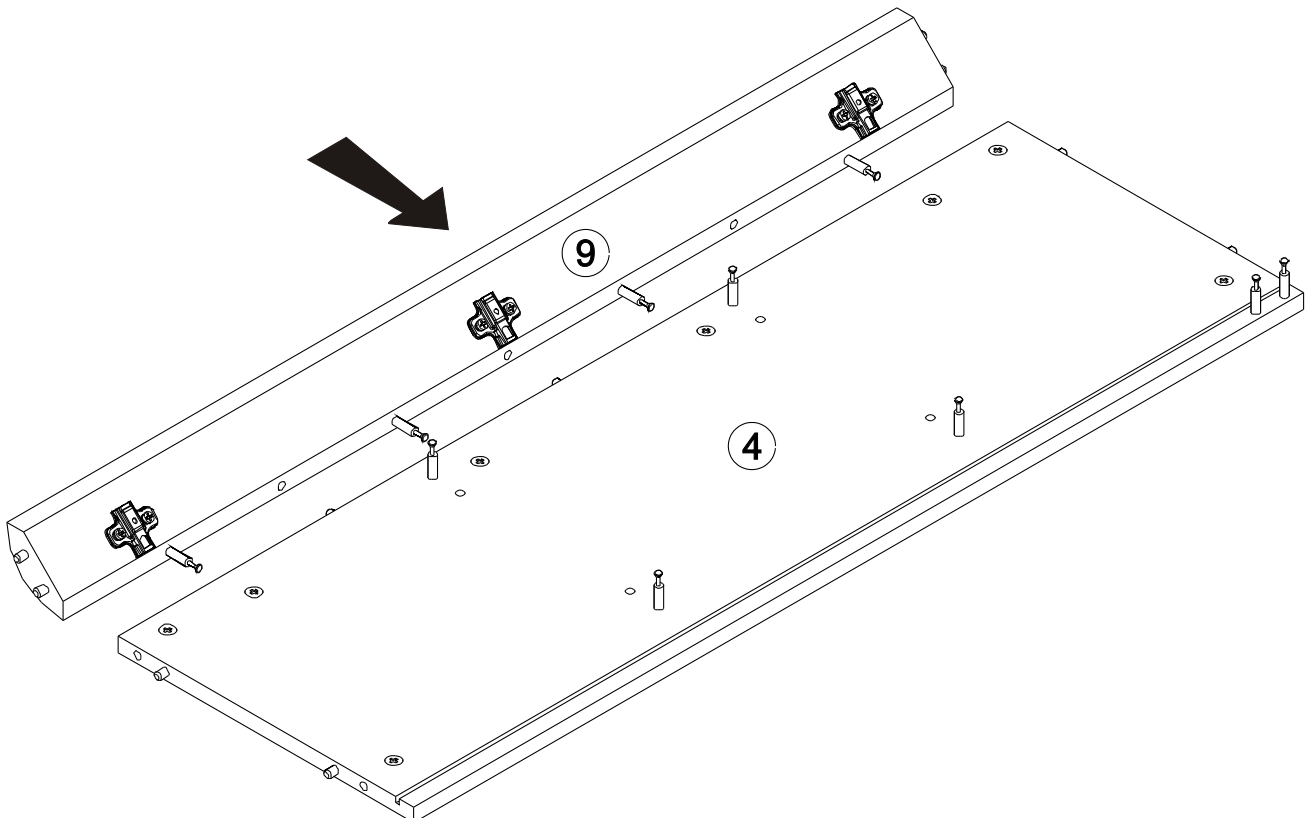
3 ▶



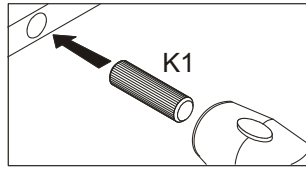
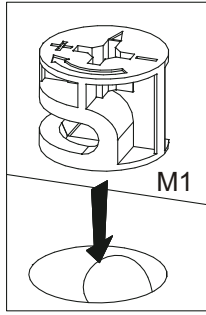
4



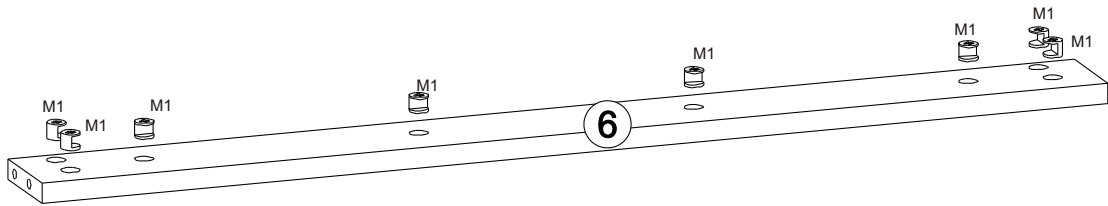
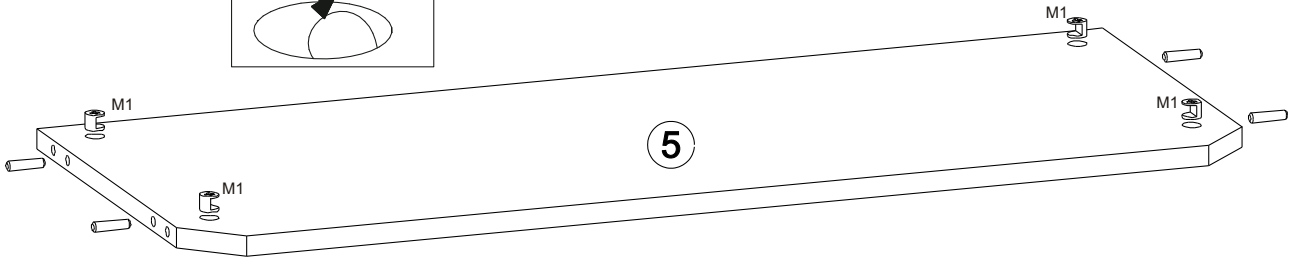
5



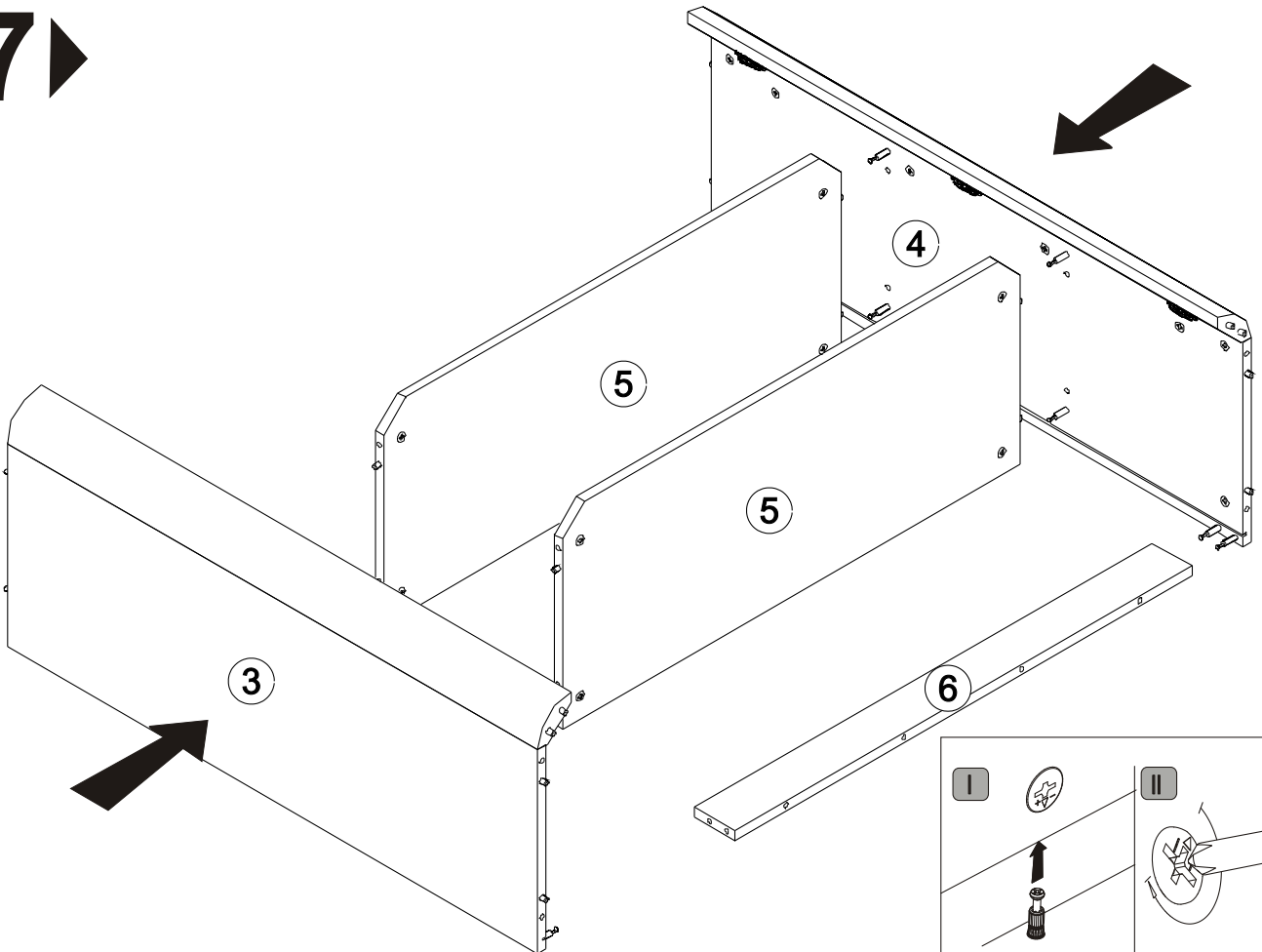
6 ▶



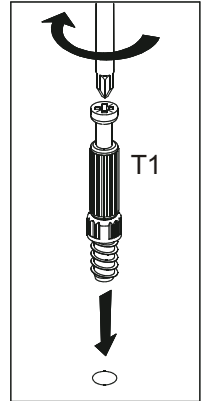
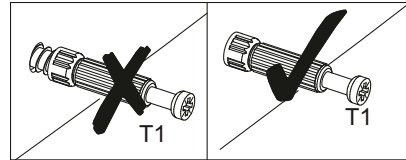
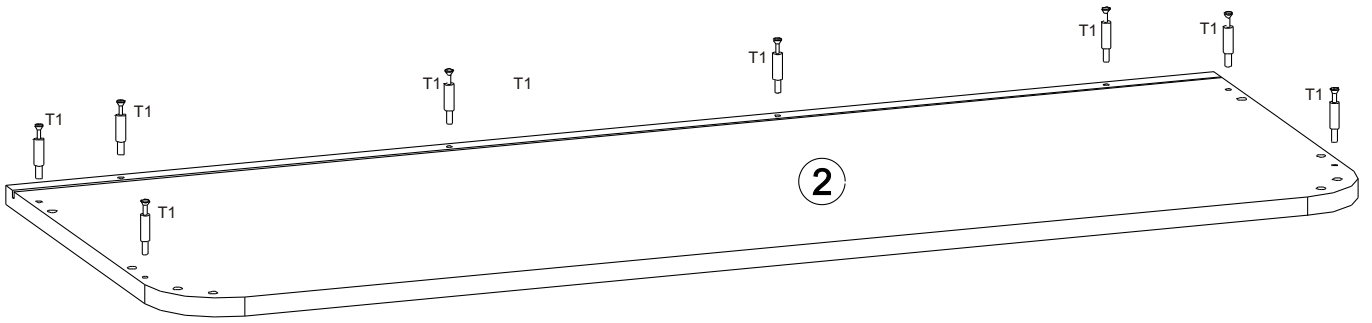
x2



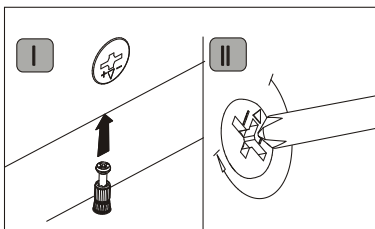
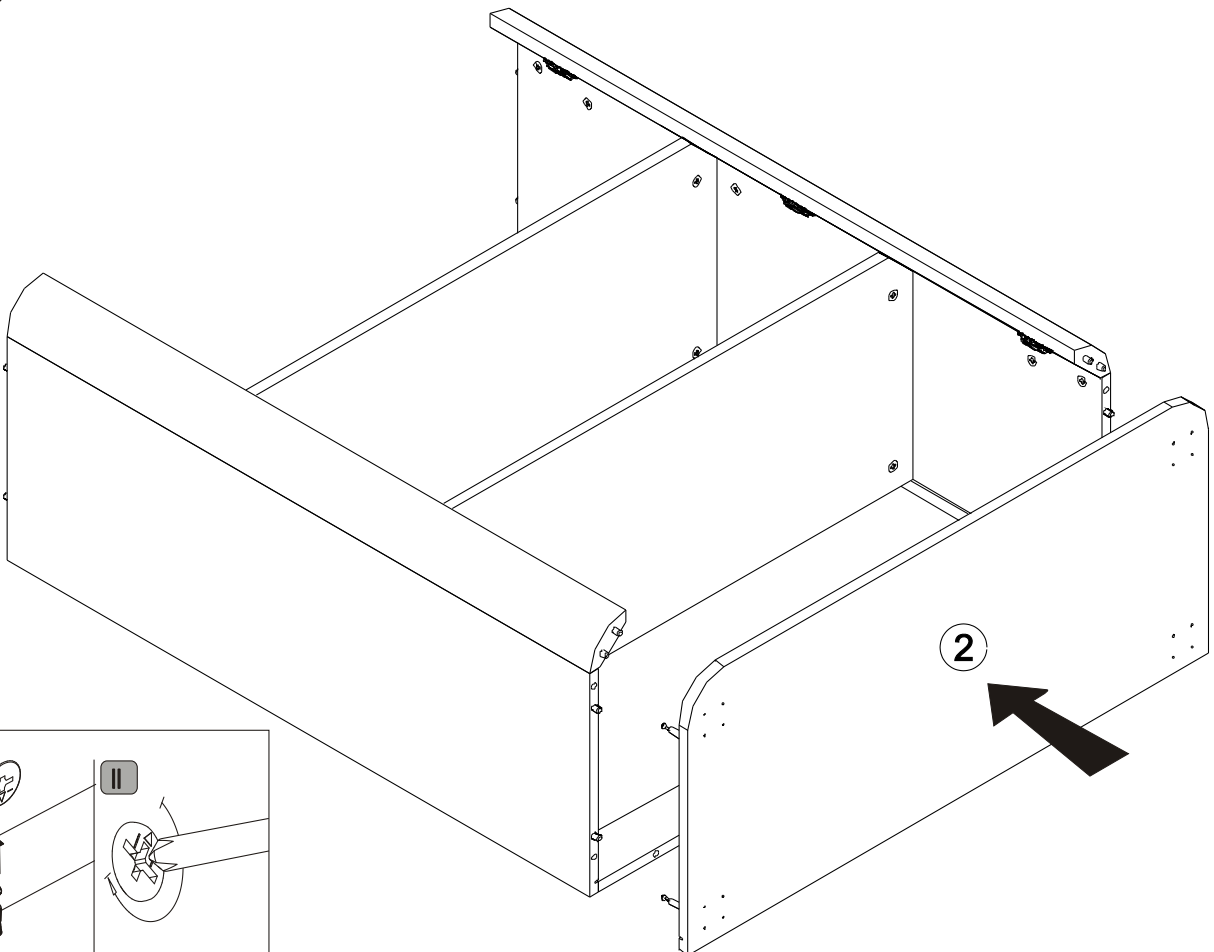
7 ▶



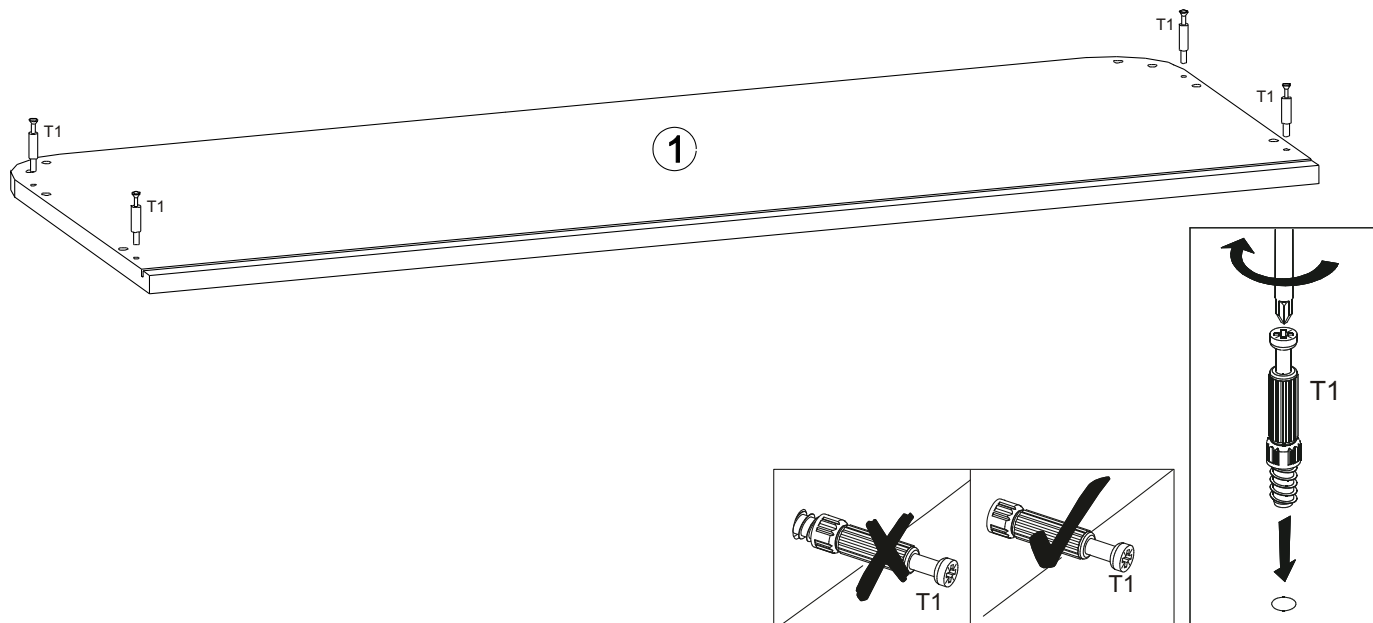
8 ▶



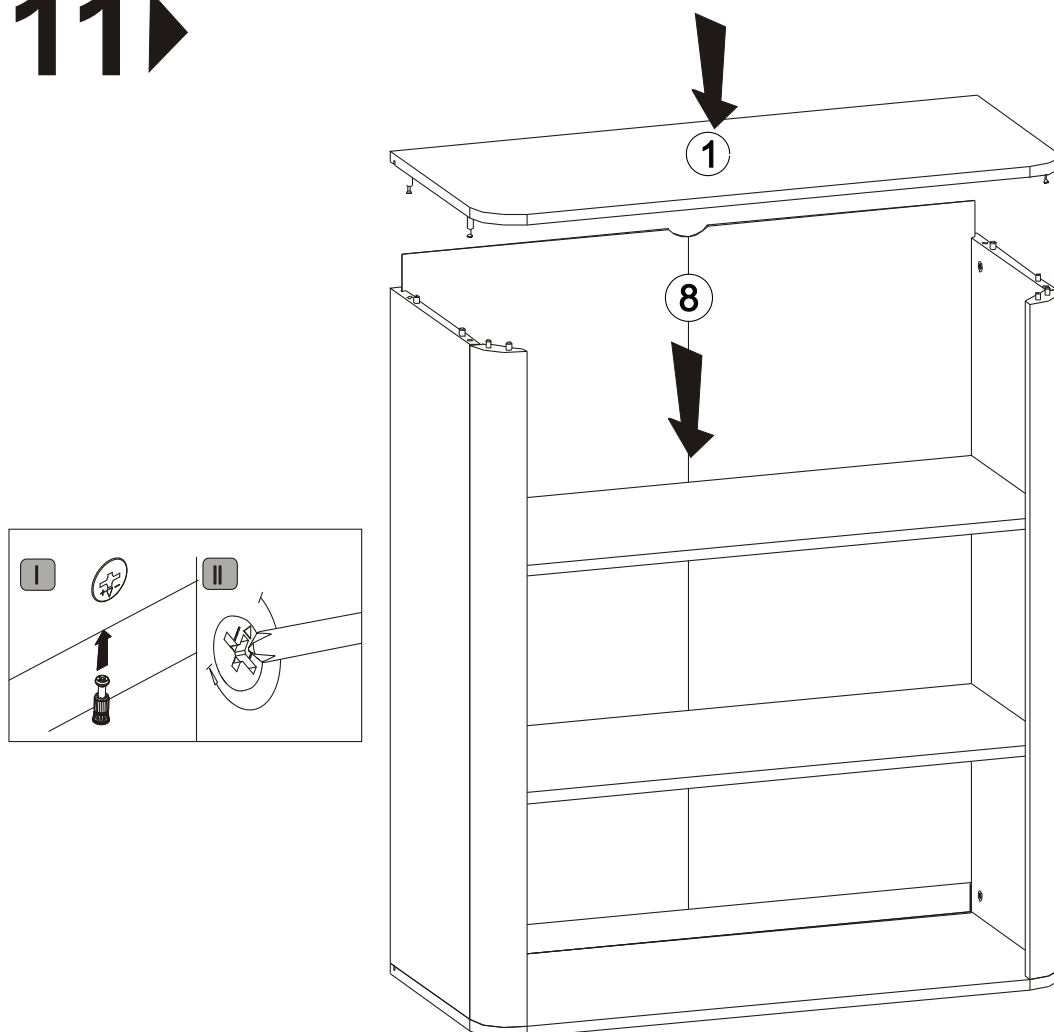
9 ▶



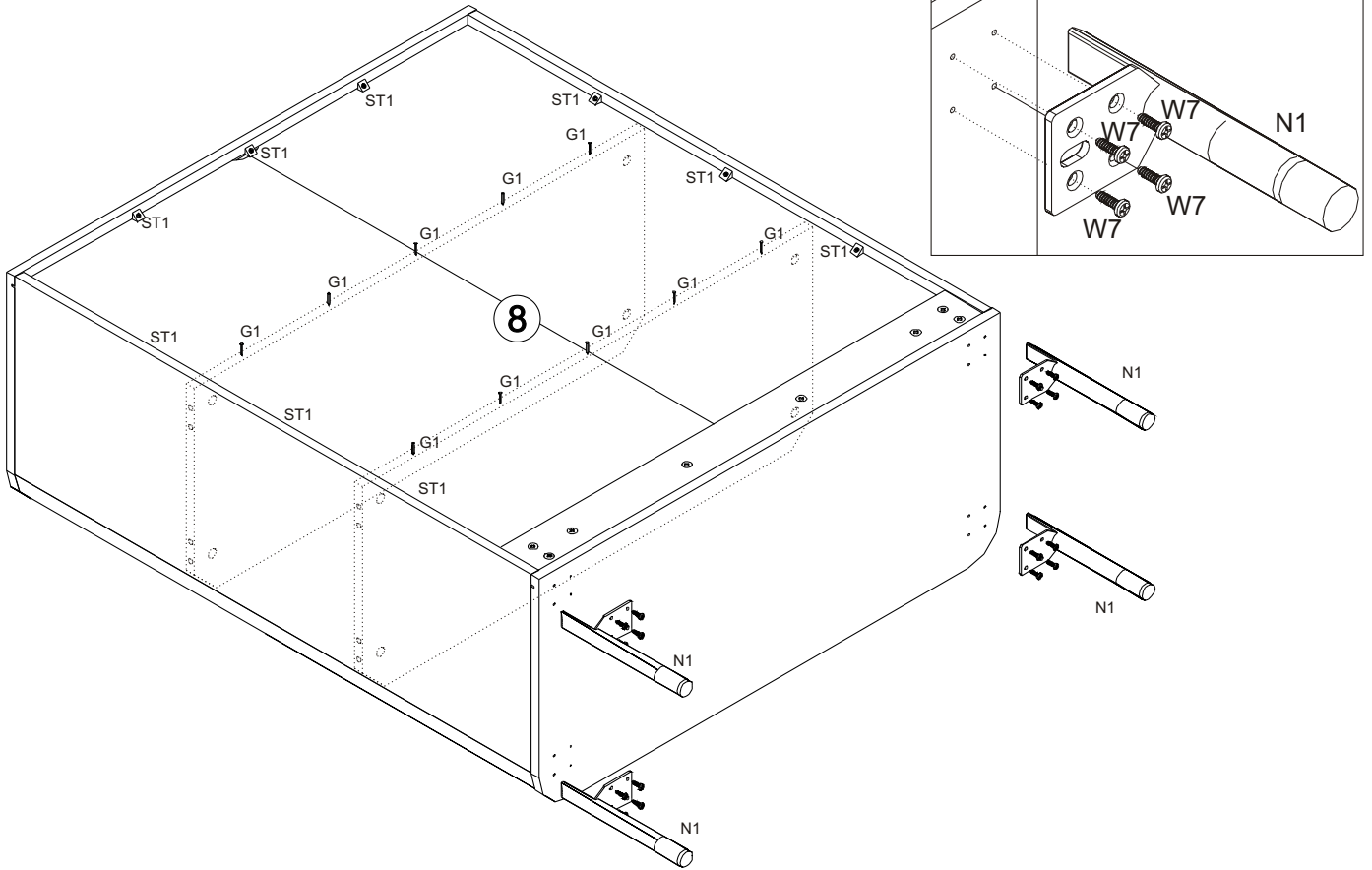
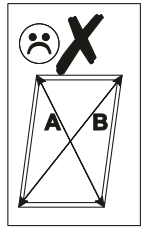
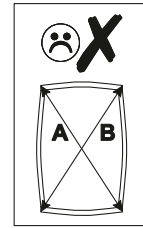
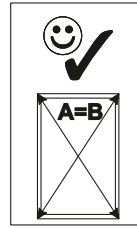
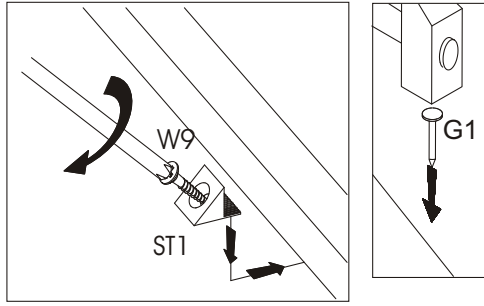
10 ▶



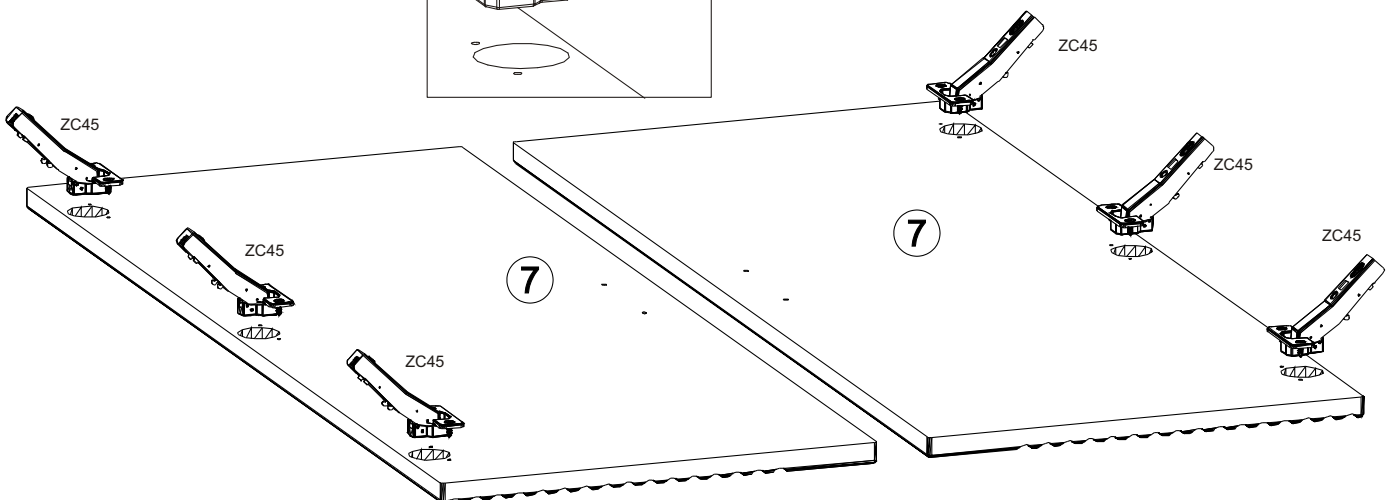
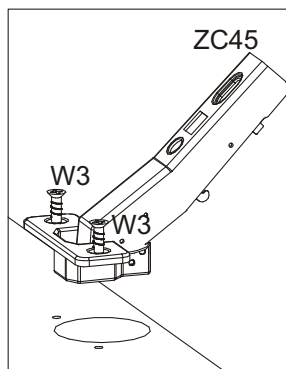
11 ▶



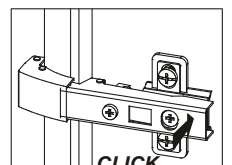
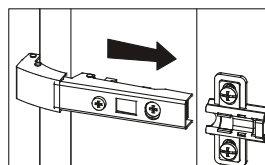
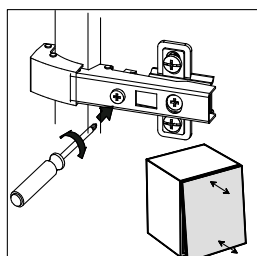
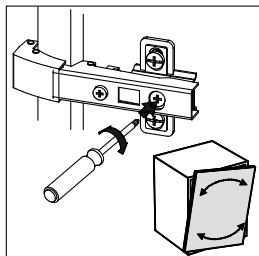
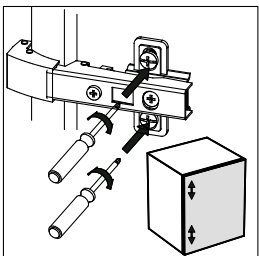
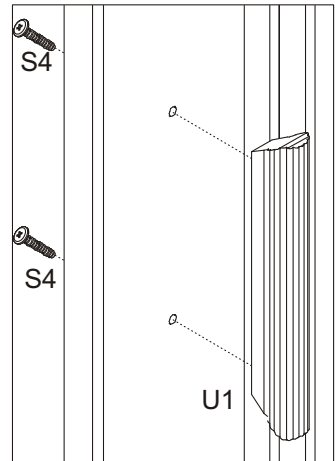
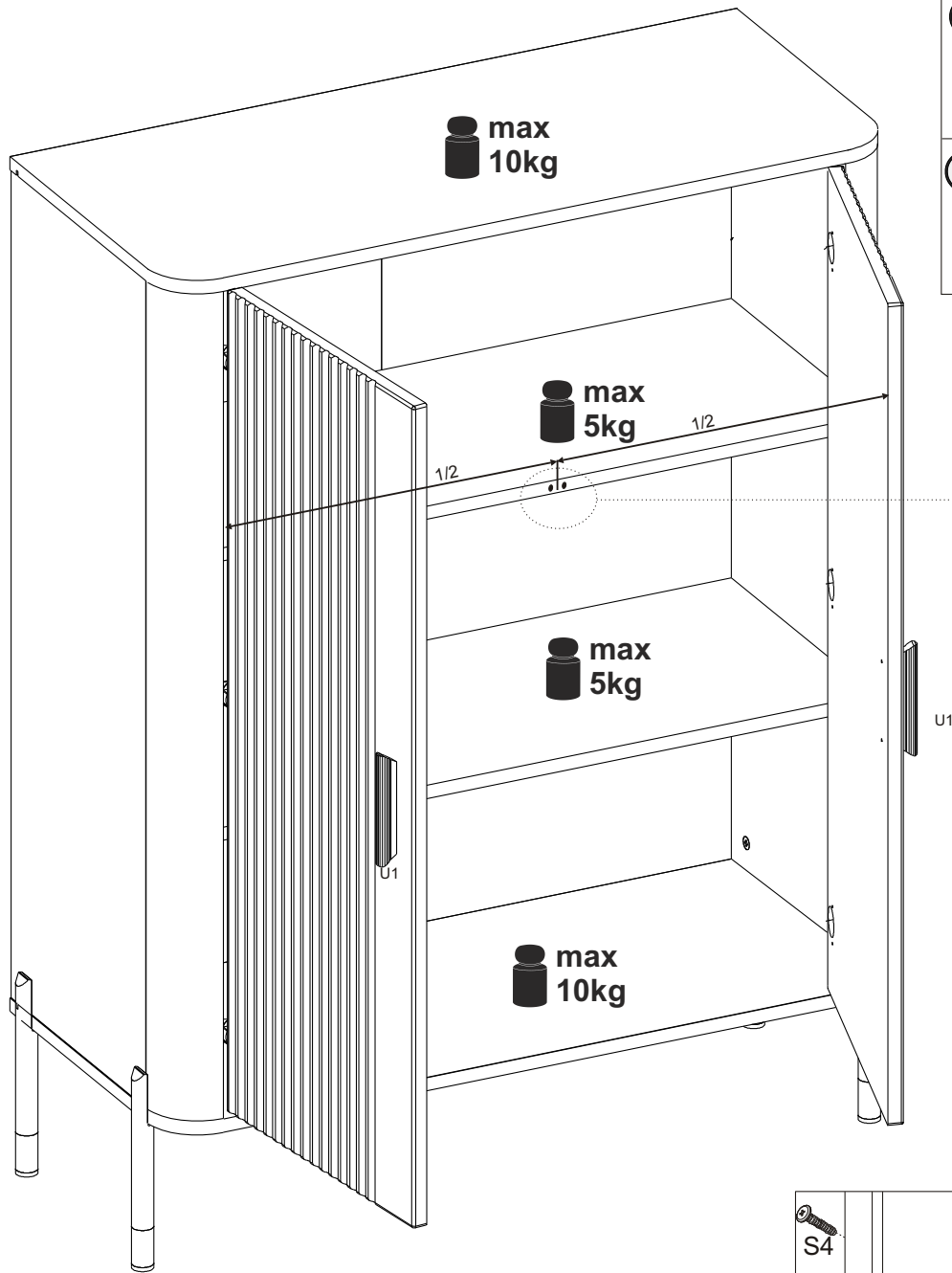
12▶



13▶



14



15 ▶

