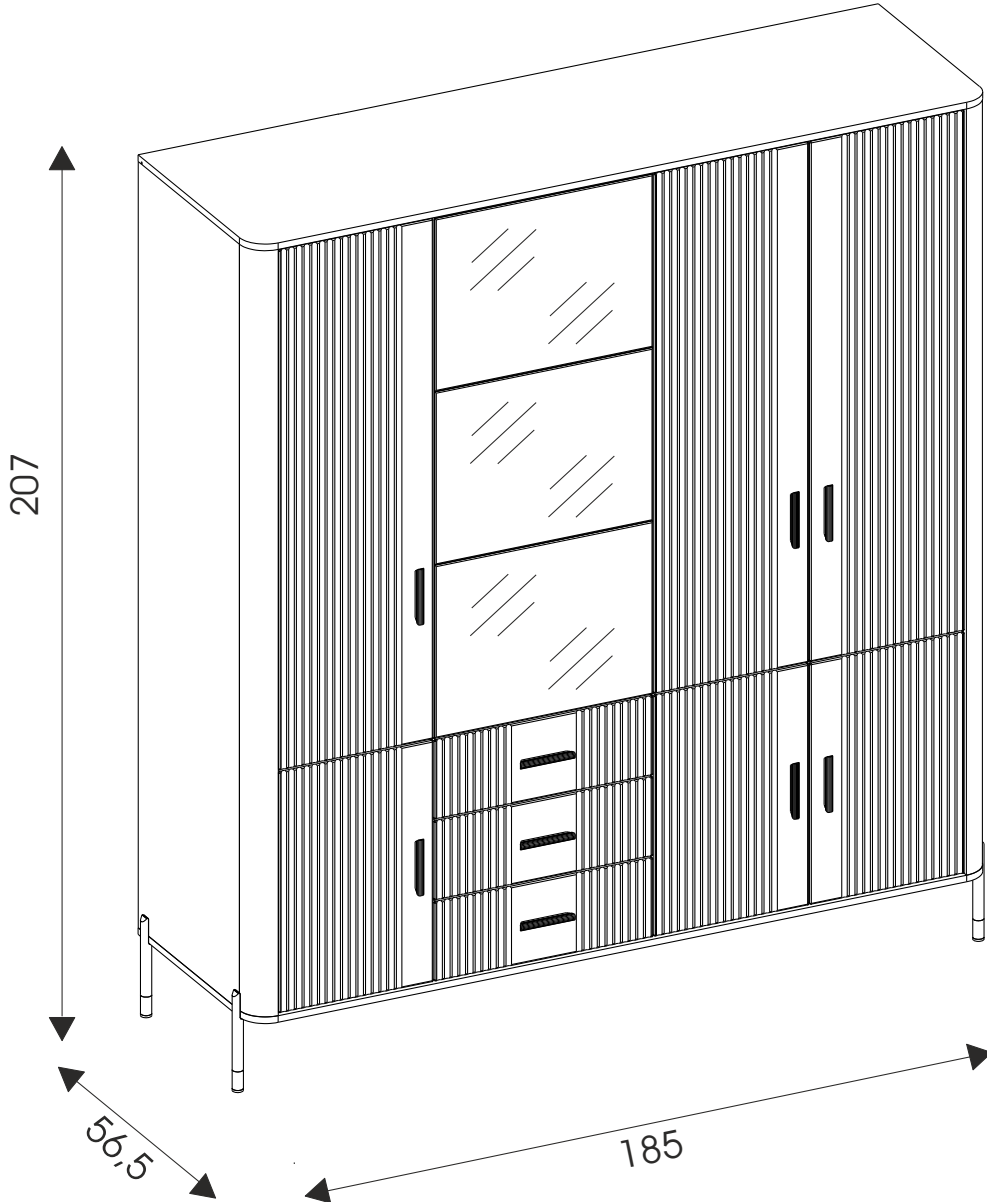
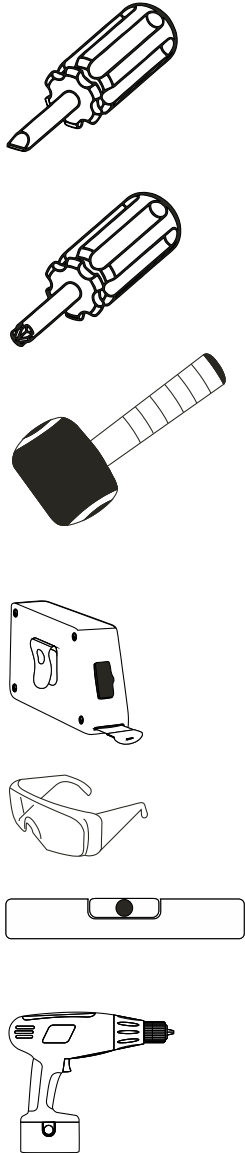
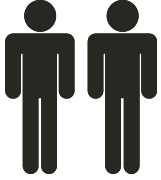
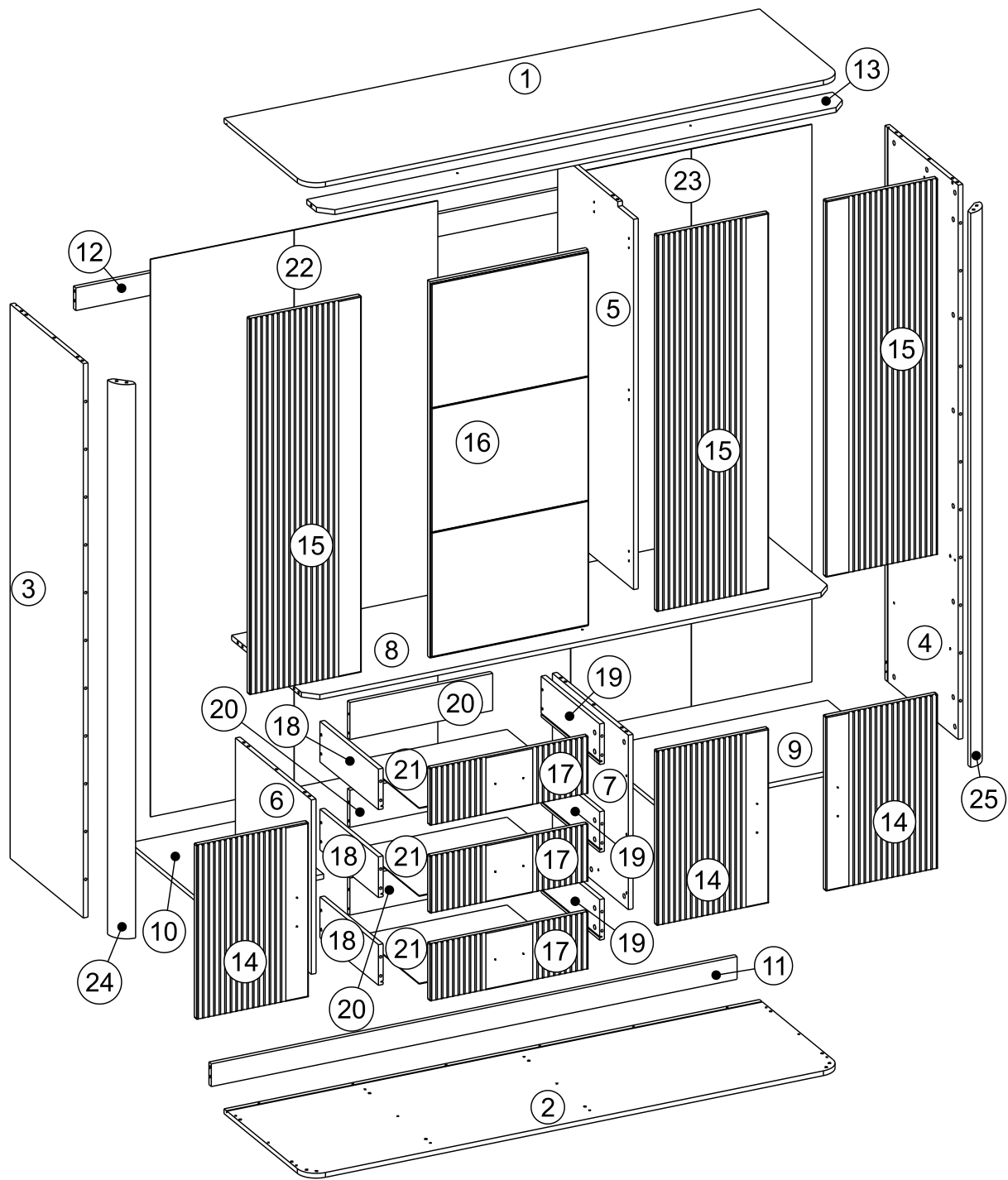


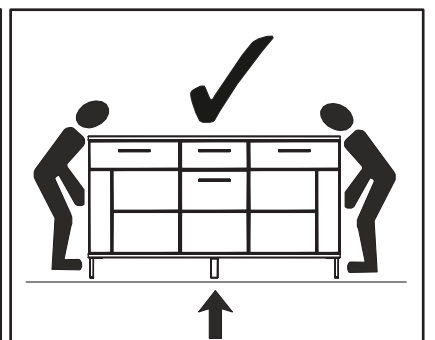
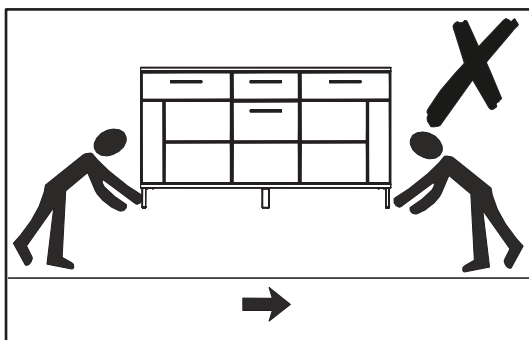
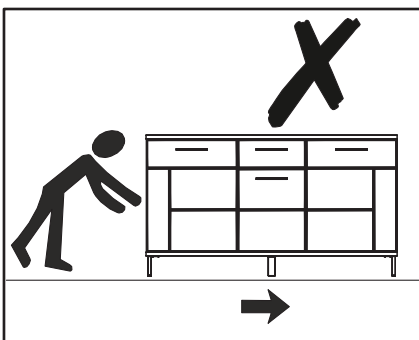
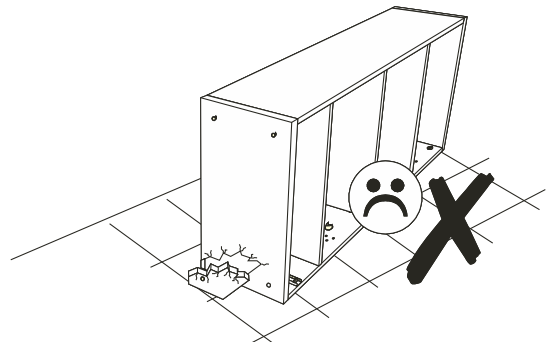
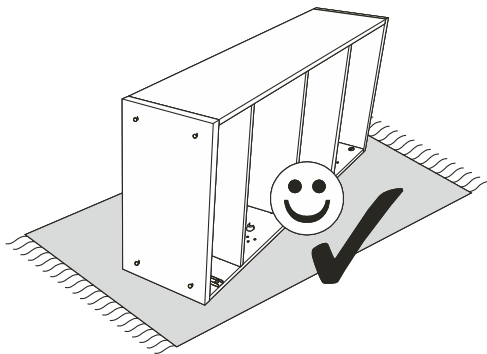
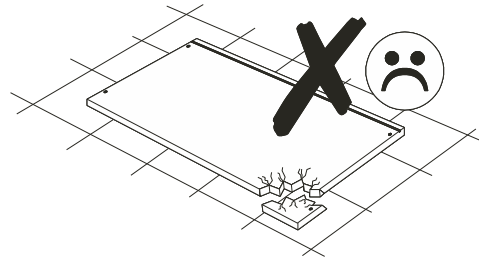
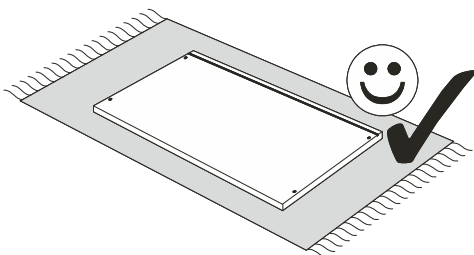
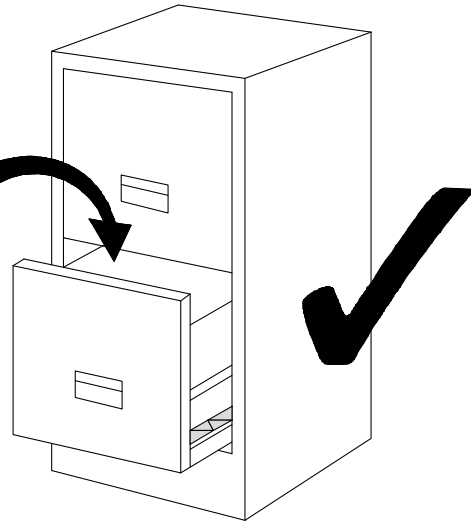
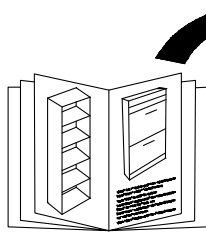
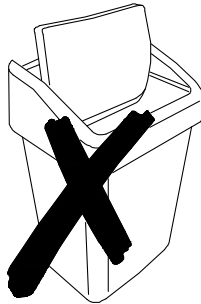
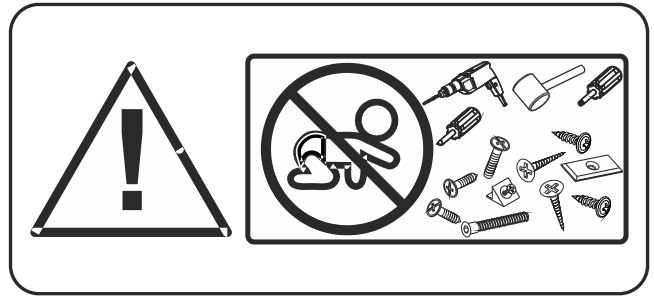
MODELL: DT17

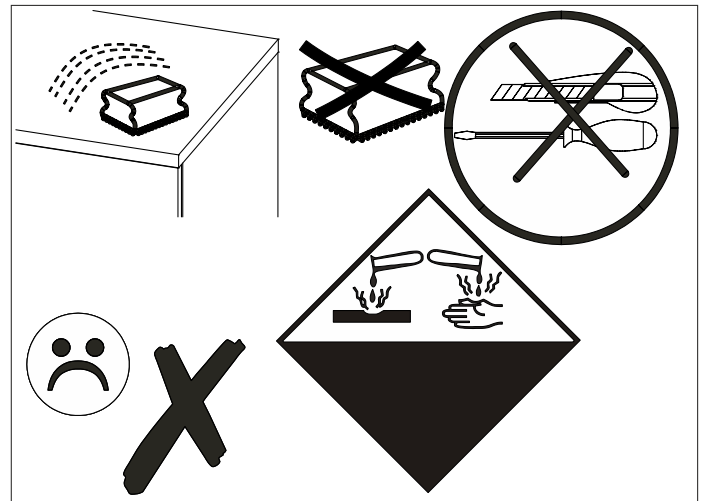
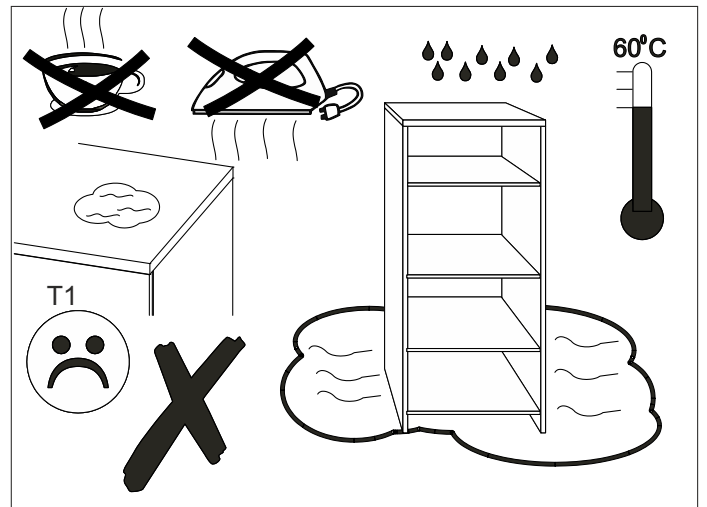
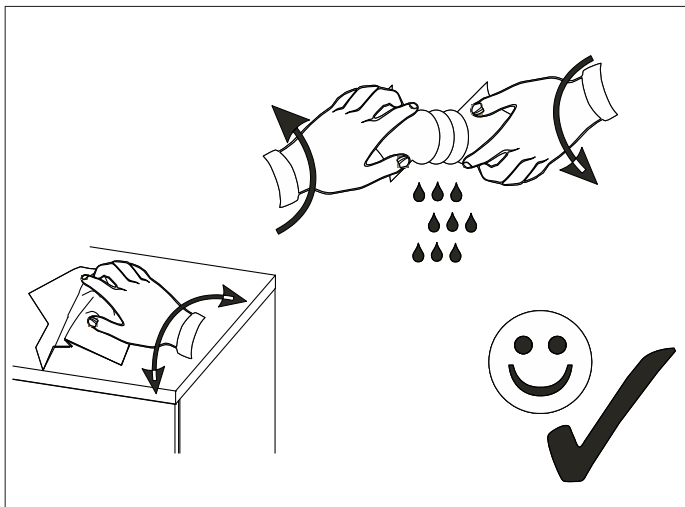
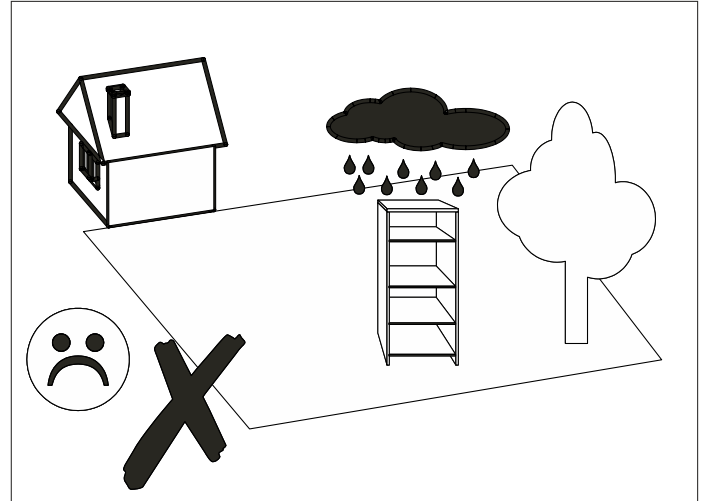
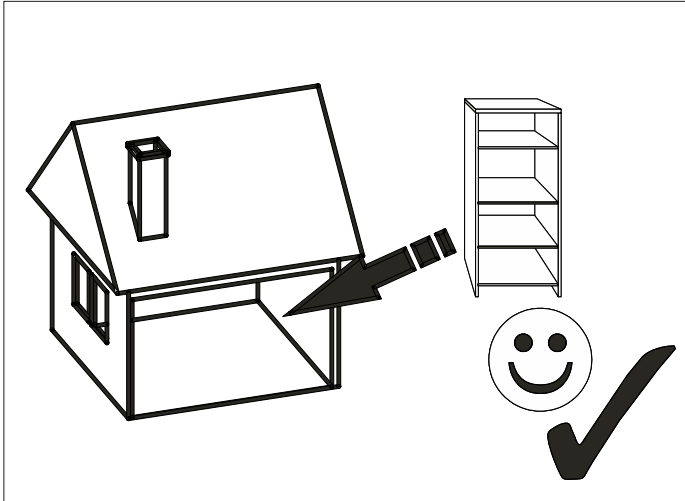


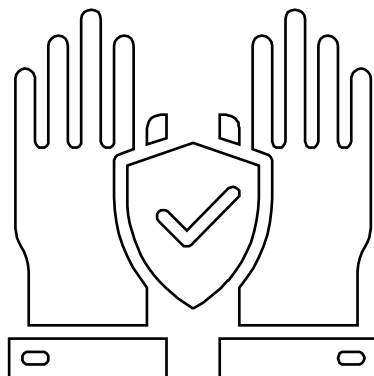
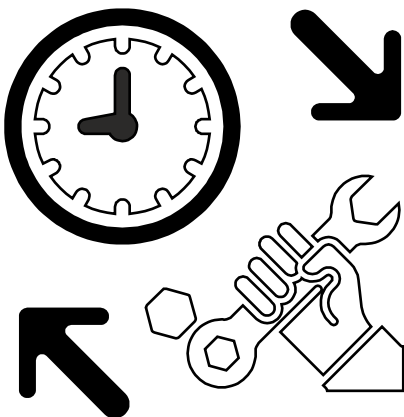
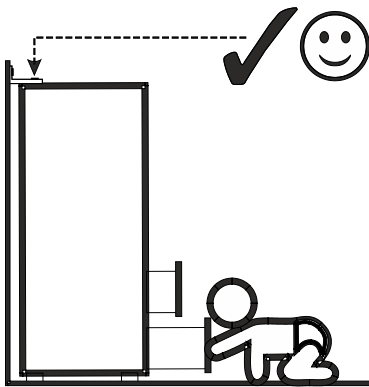
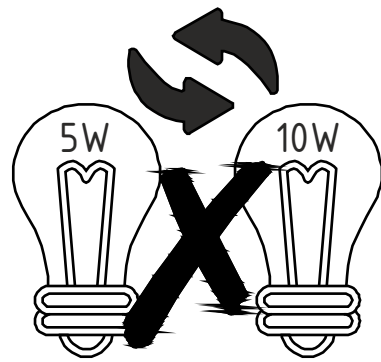
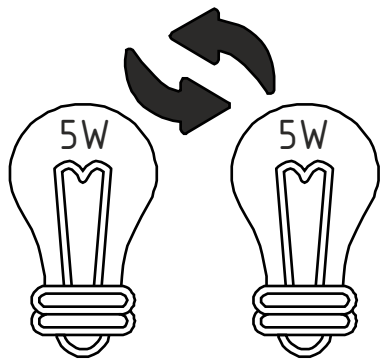
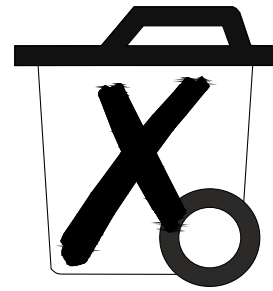
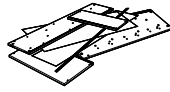
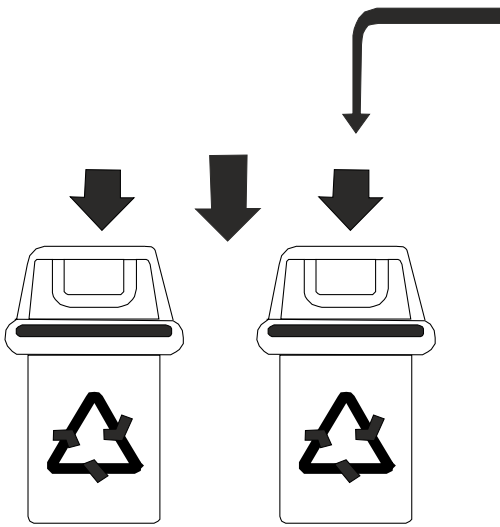
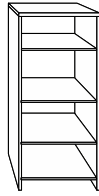
8x ZC45	8x BS1	7x O1 4mm	18x S4 M4x24					
10x ZC45	42x W3 3.5x13	6x WP3 4x13	1x D1 L-963	2x ZN1 #14/863	2x W4 4x30	1x N2	1x D2 L-804	8x B1
1x L1	6x W6 3x16	16x ST1	3x PK3 #400L	3x PK3 #400P	16x W9 3x20	4x N1	4x WS1	41x ZN1 #20/863
12x K5 6.4x50	44x K1 8x30	9x U1	1x K20	72x M1 #15/15	72x T1 DU232T	20x W7 4.5x16	37x G1 2x20	12x E1 6x12



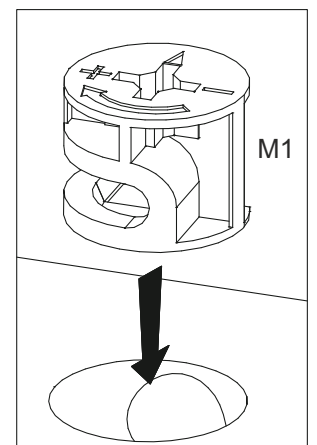
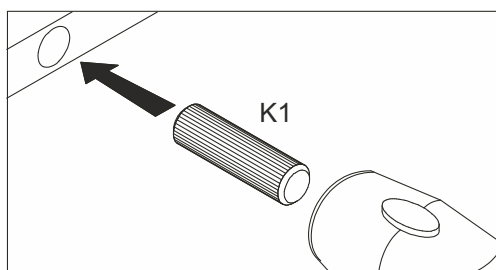
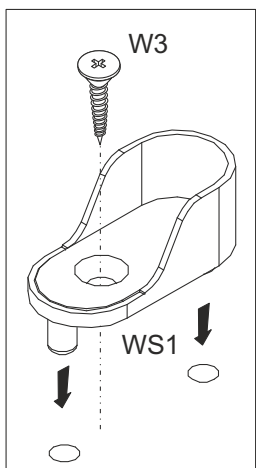
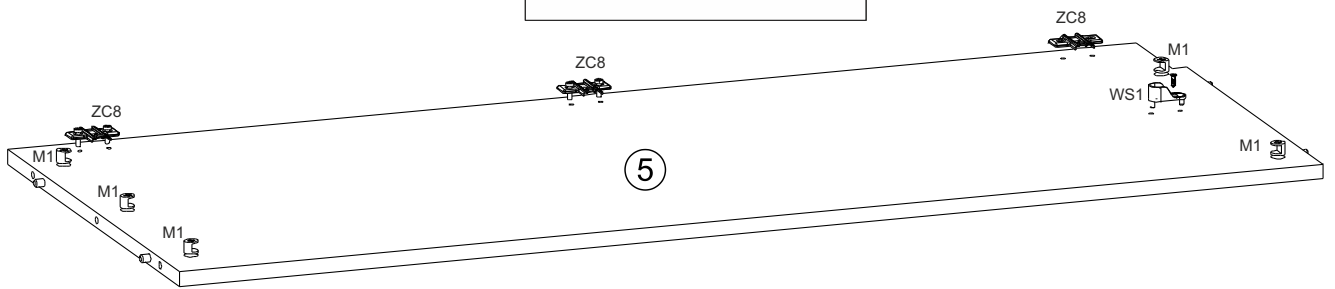
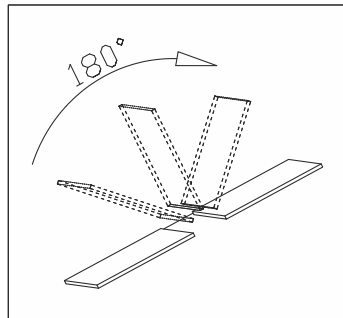
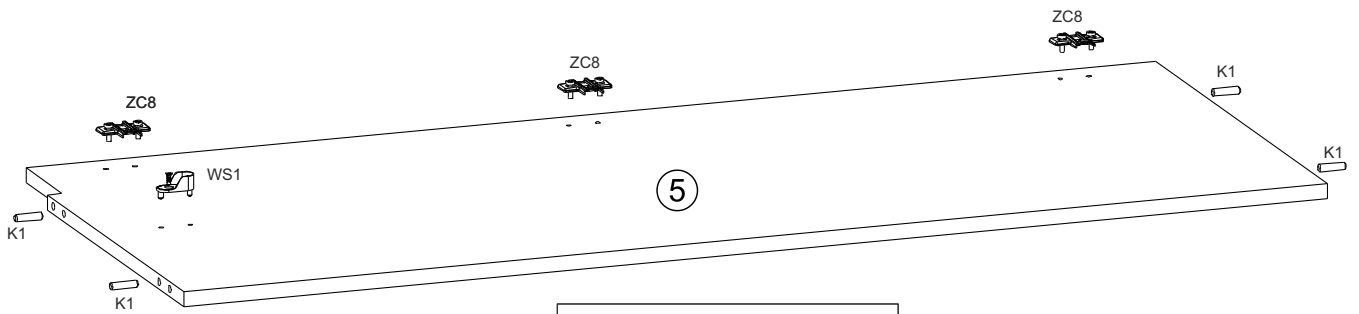
9	810x475	2/7	18	400x136	1/7			
8	1797x519	2/7	17	540x192	4/7			
7	584x519	3/7	16	1260x540	5/7	25	1856x90.5	2/7
6	584x519	3/7	15	1260x382	4/7	24	1856x90.5	2/7
5	1256x519	3/7	14	584x382	5/7	23	1867x824	1/7
4	1856x500.5	2/7	13	1797x108	2/7	22	1867x982	1/7
3	1856x500.5	2/7	12	1797x76	2/7	21	405x502	1/7
2	1830x565	1/7	11	1797x76	2/7	20	488x124	1/7
1	1830x565	1/7	10	425x475	3/7	19	400x136	1/7



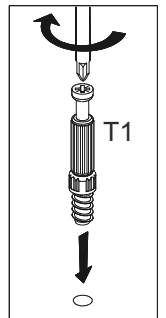
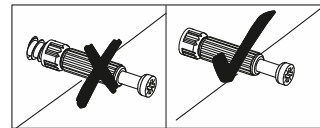
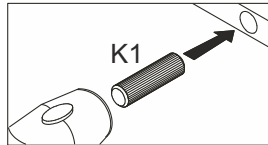
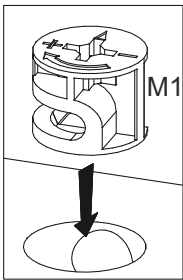
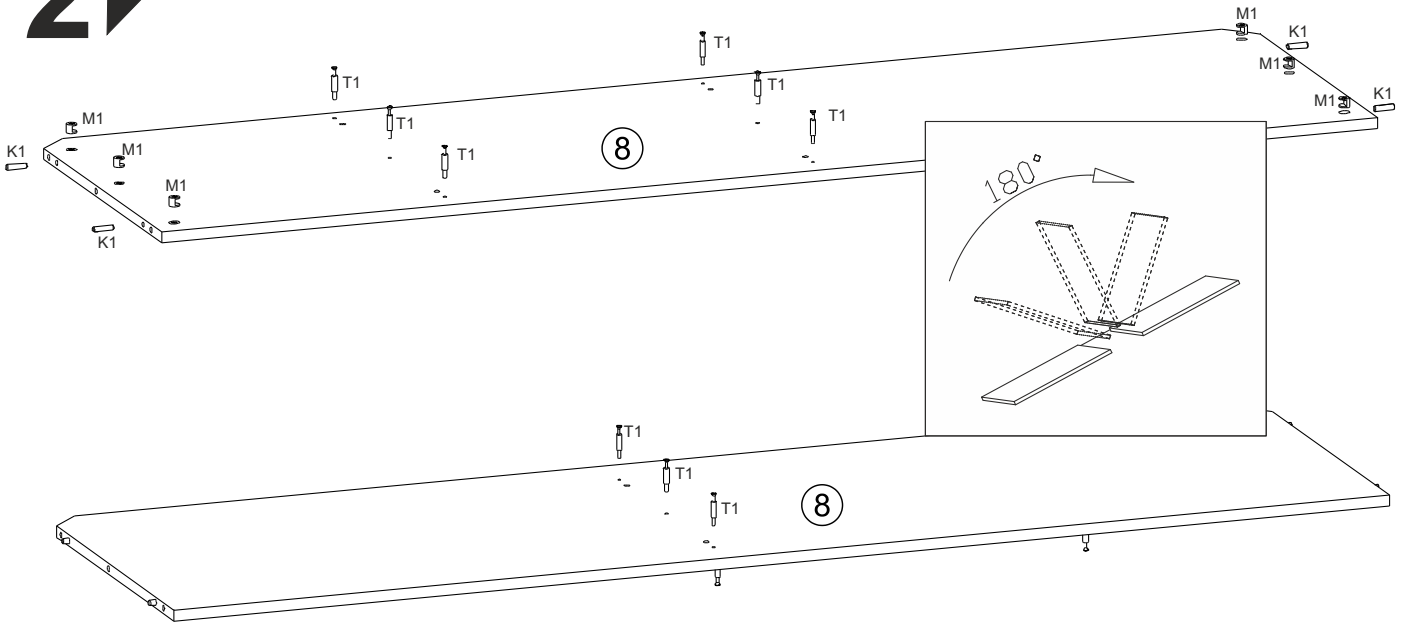




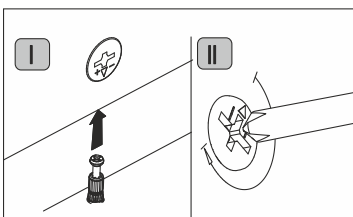
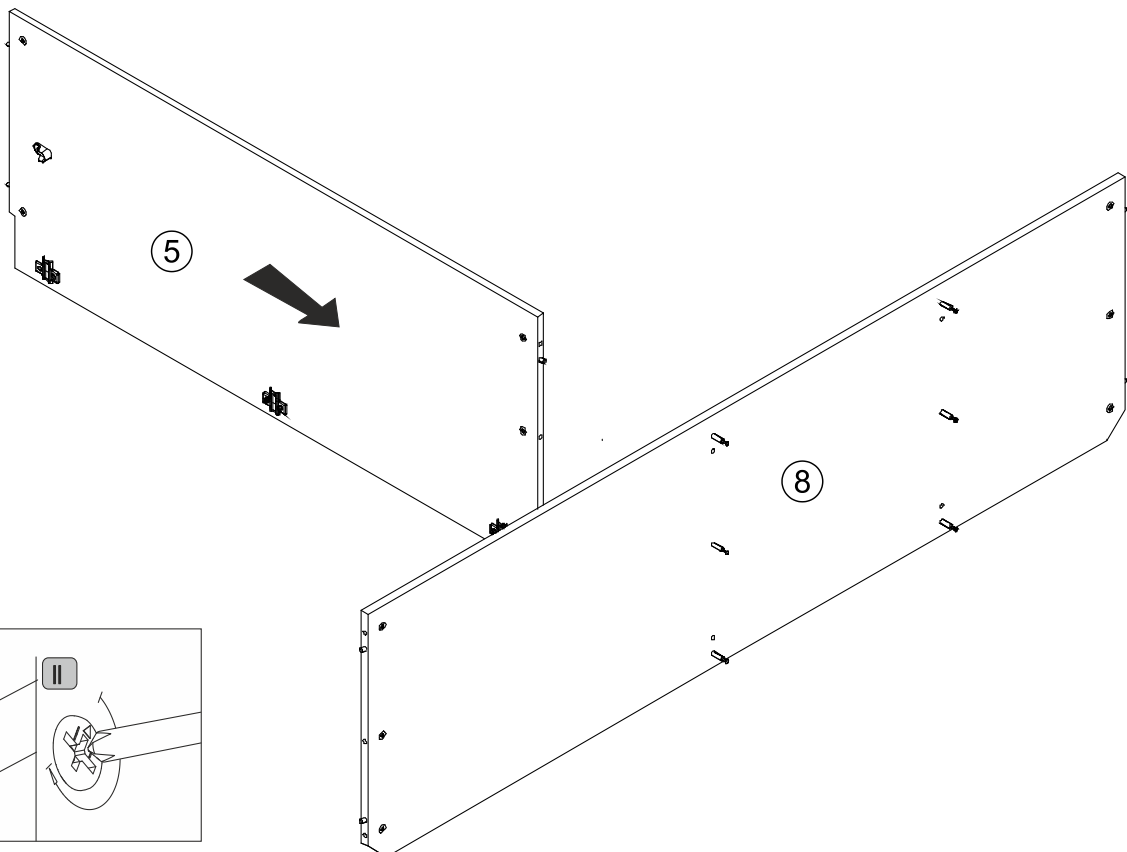
1 ▶



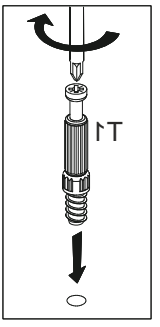
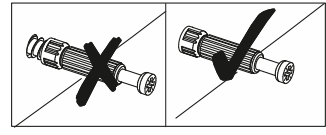
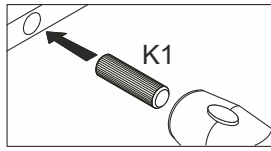
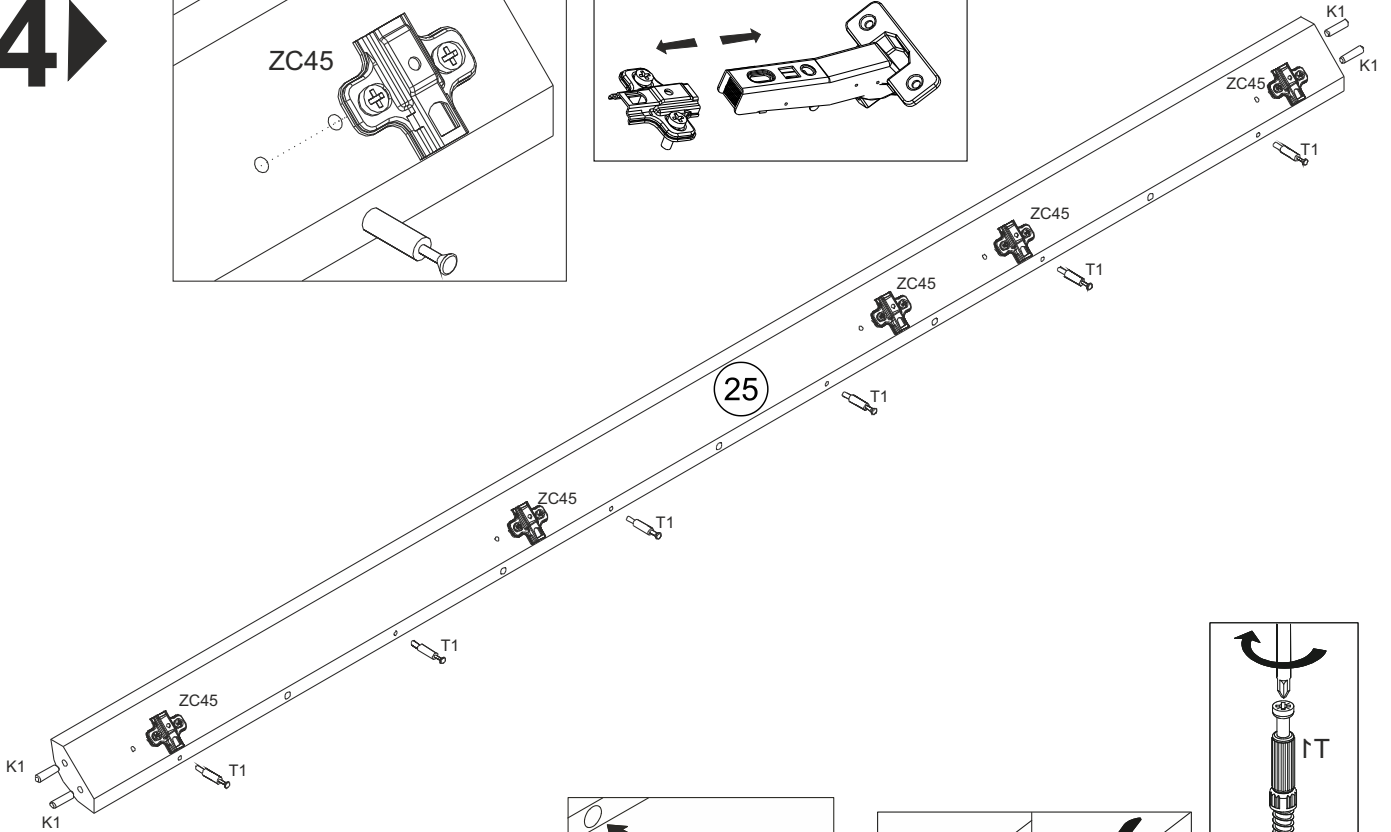
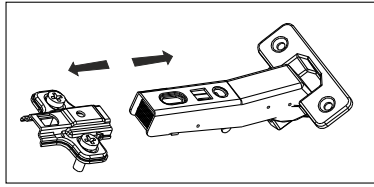
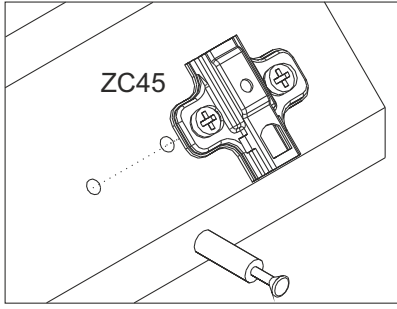
2 ▶



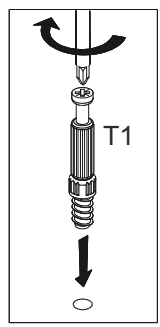
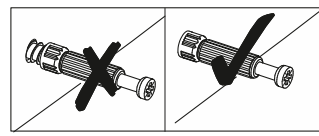
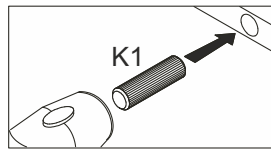
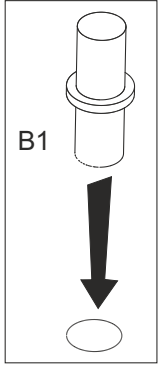
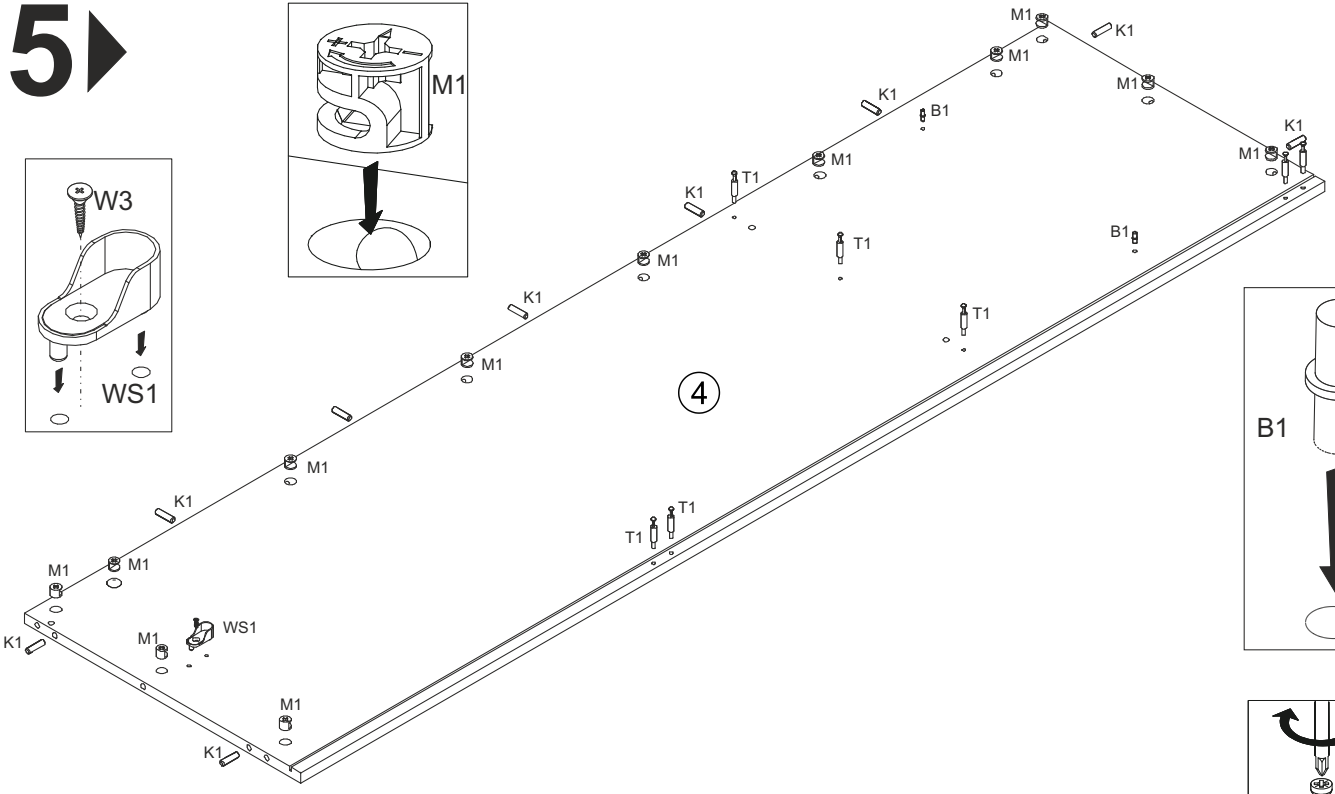
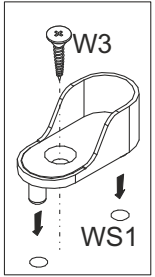
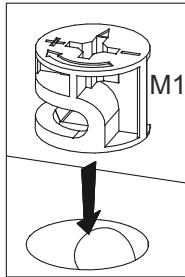
3 ▶



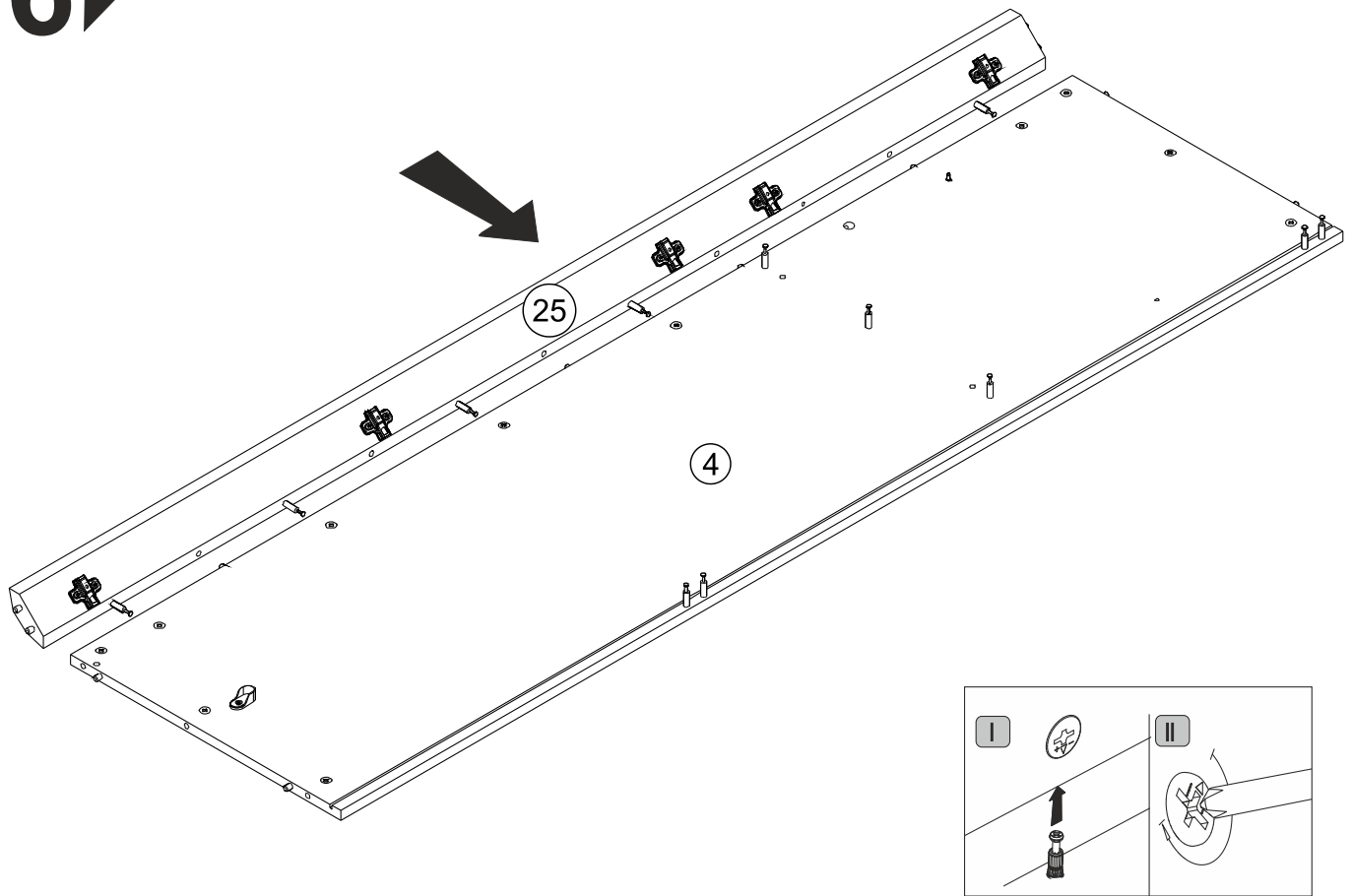
4



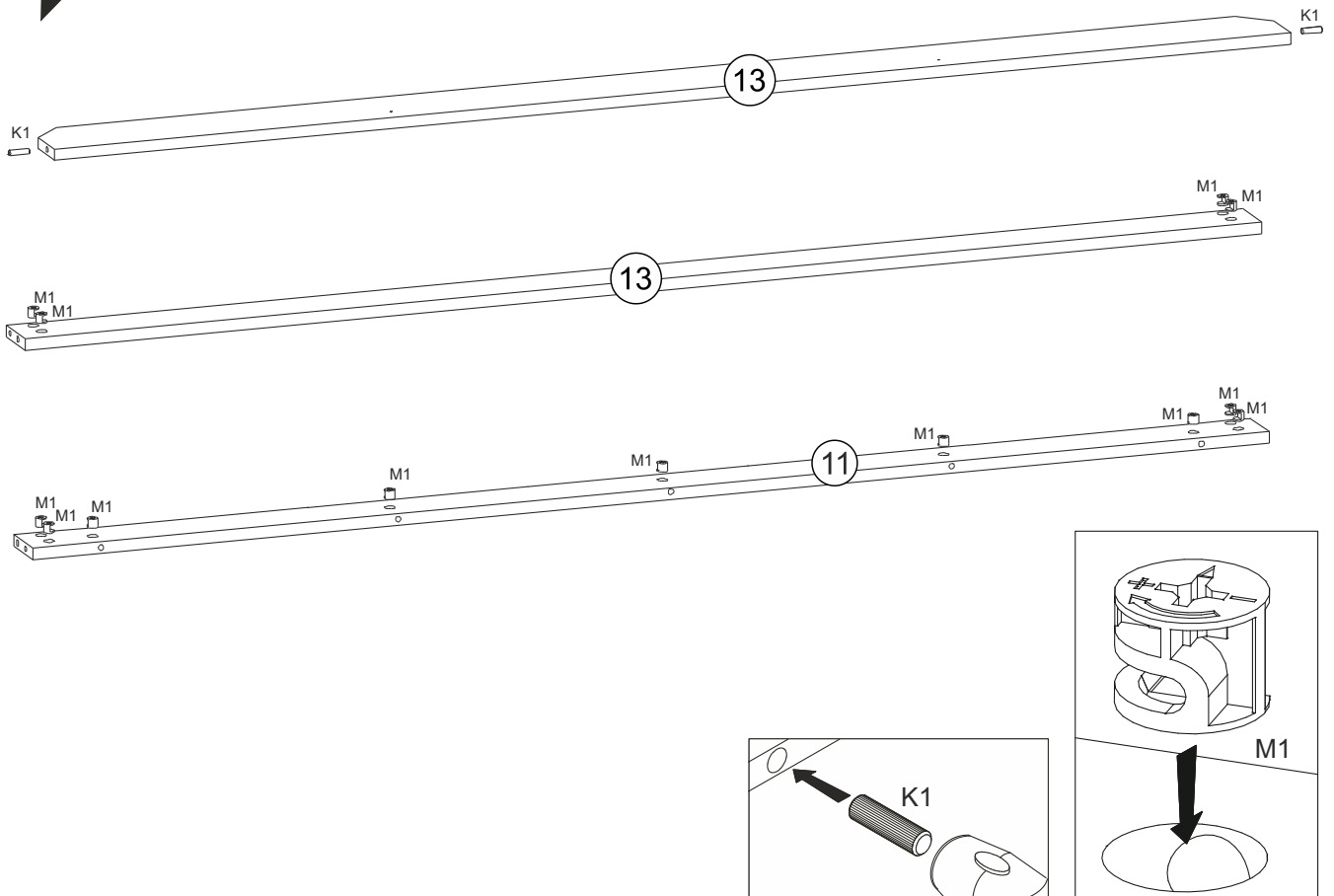
5



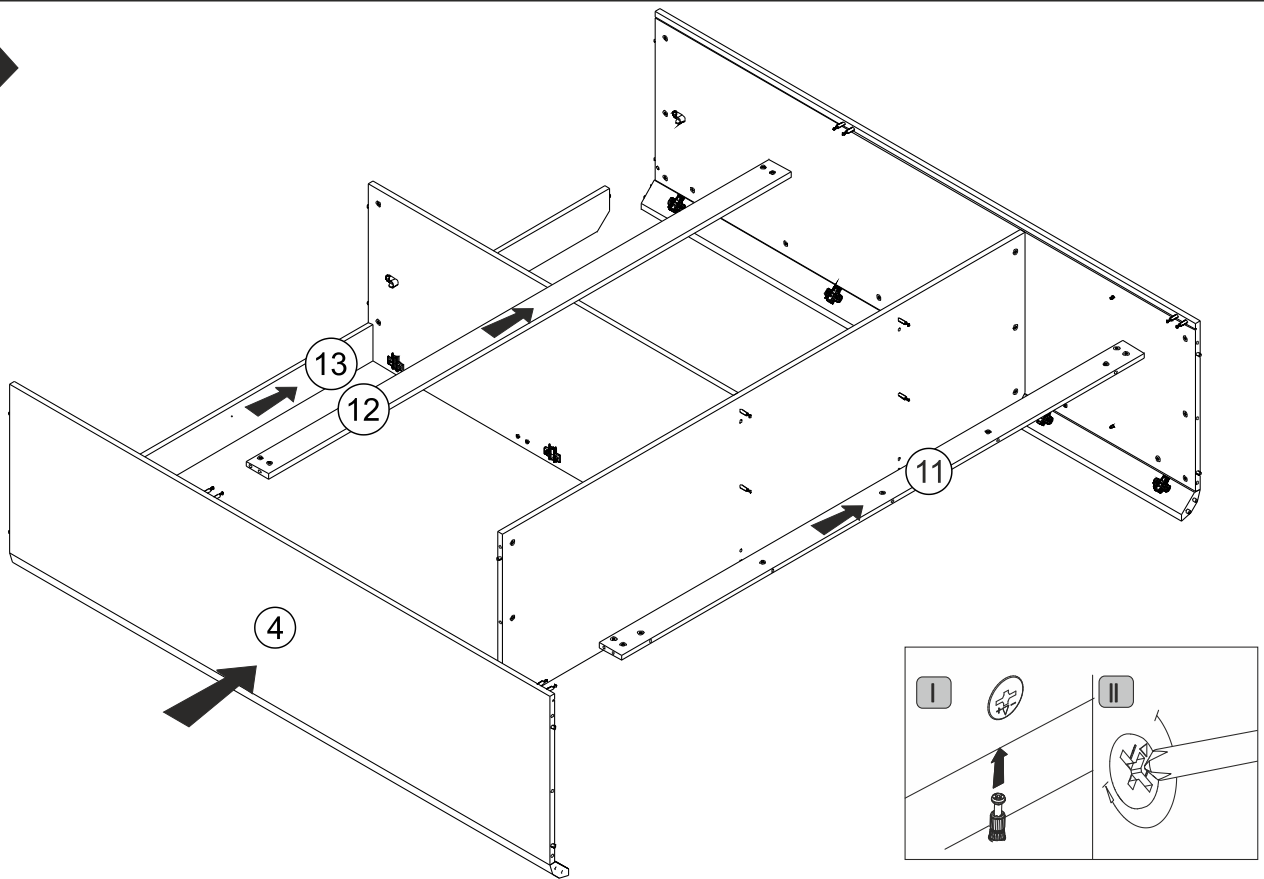
6 ▶



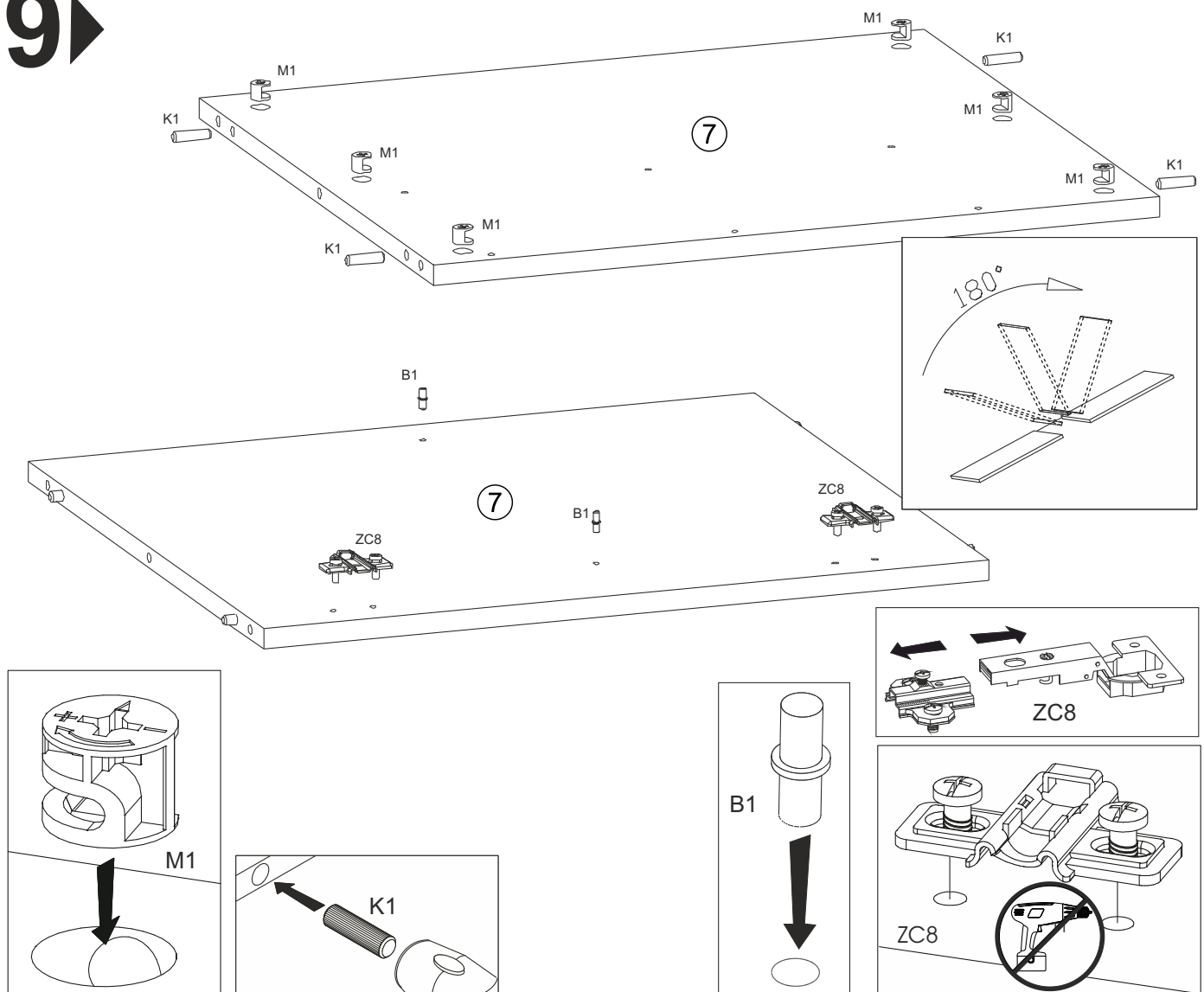
7 ▶



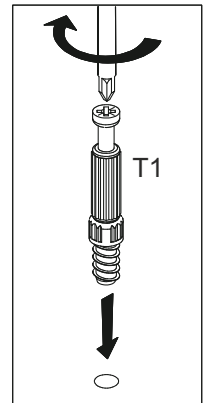
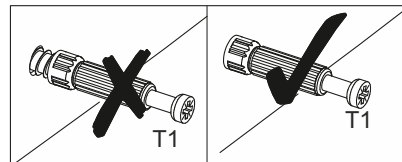
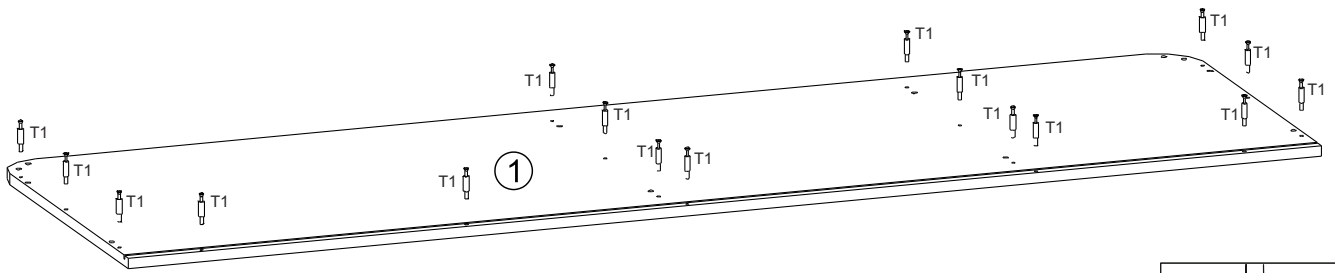
8 ▶



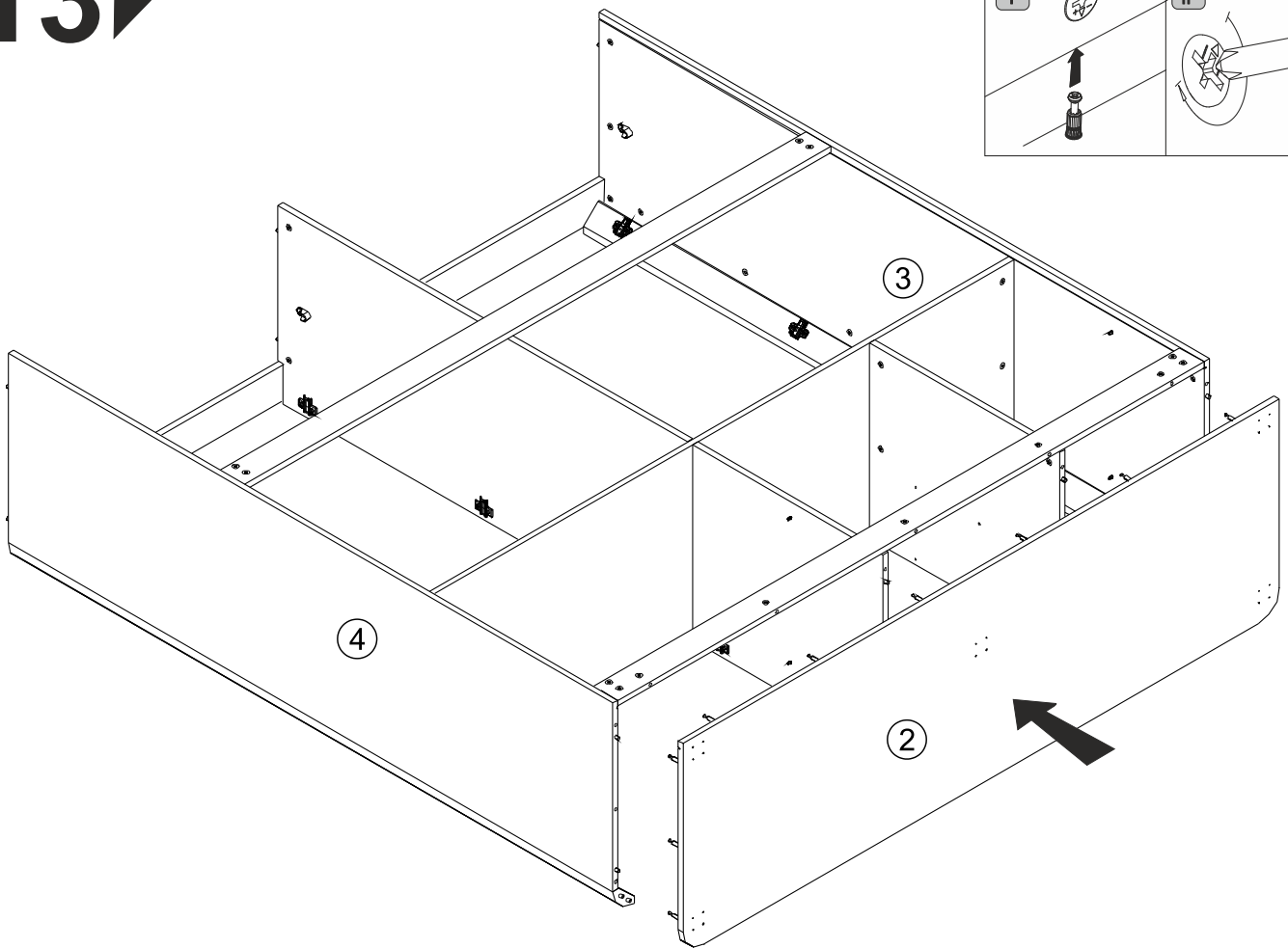
9 ▶



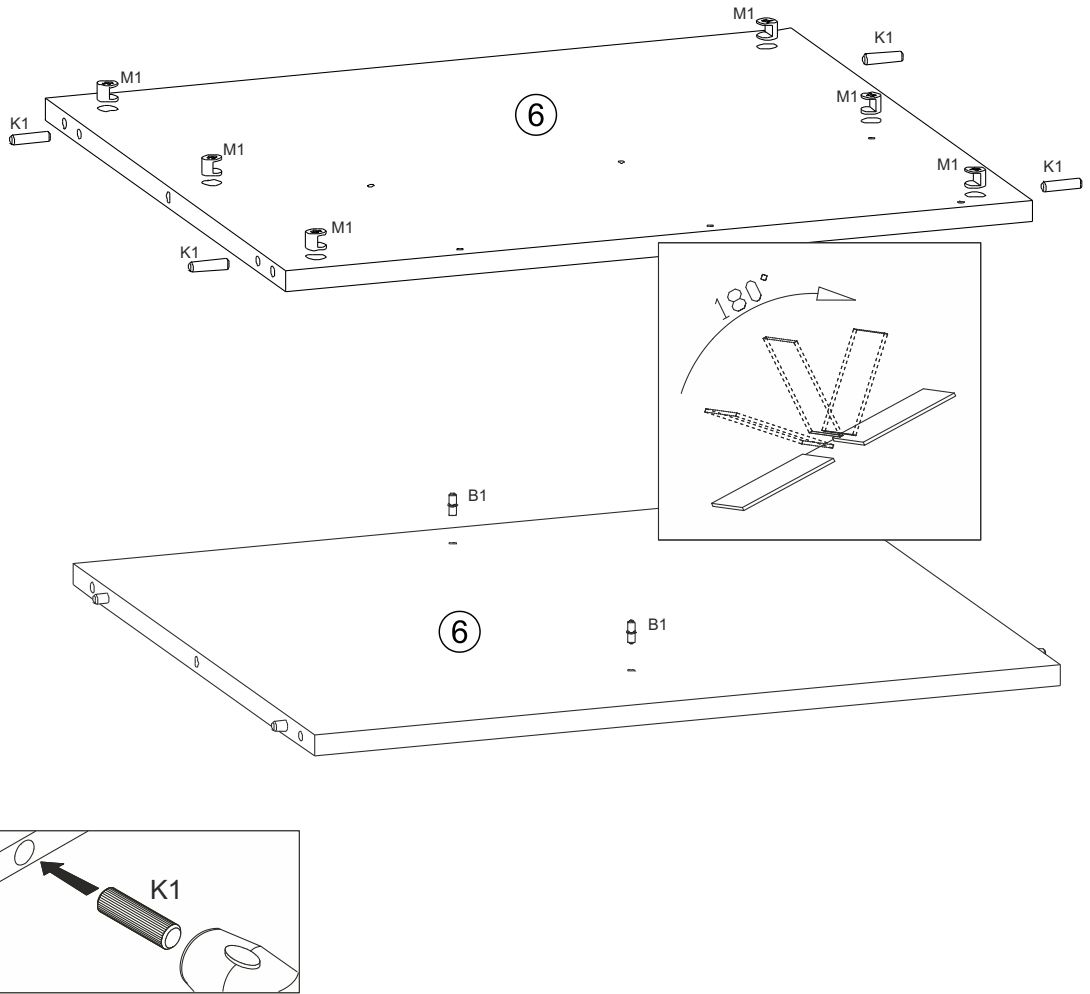
12▶



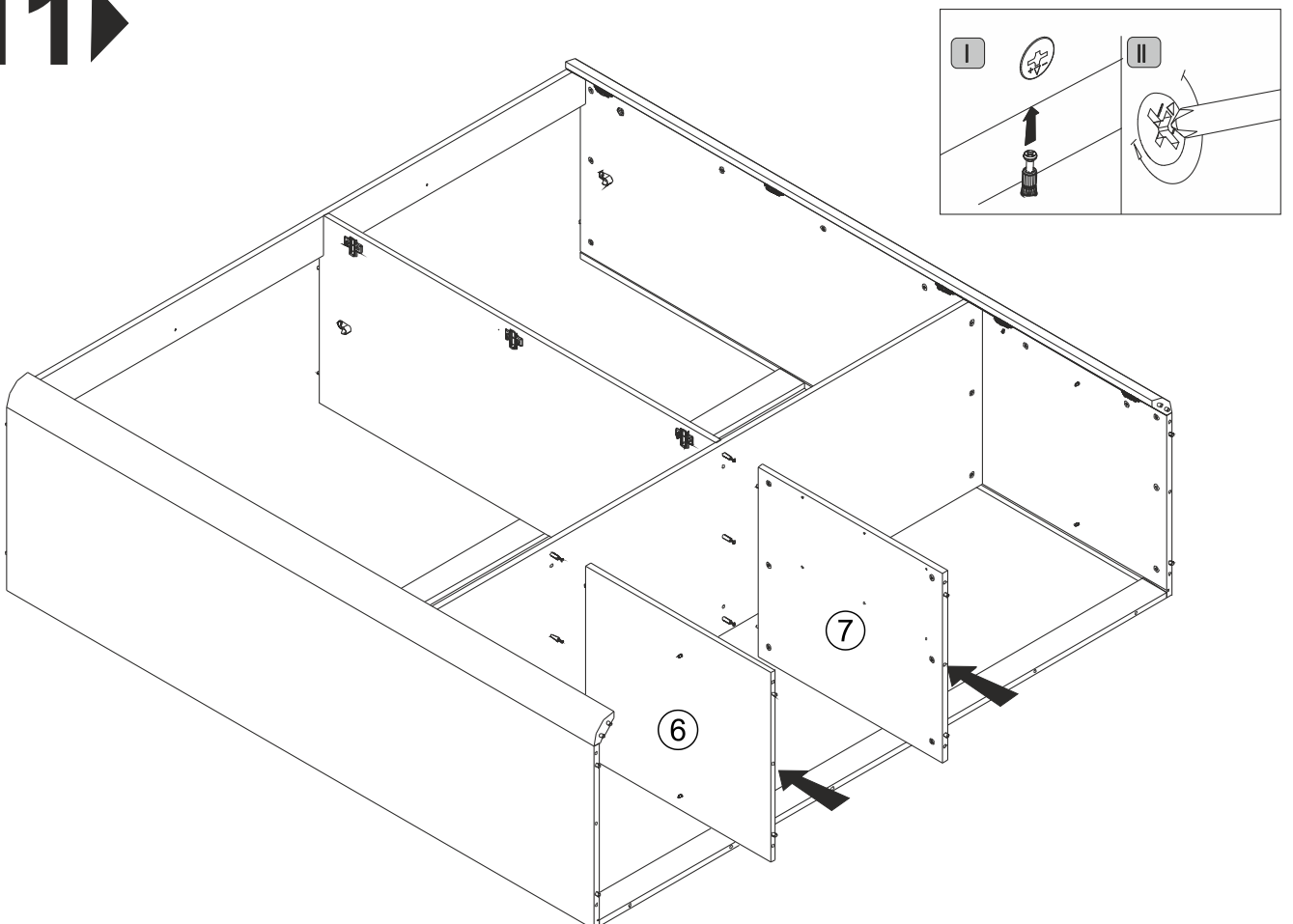
13▶



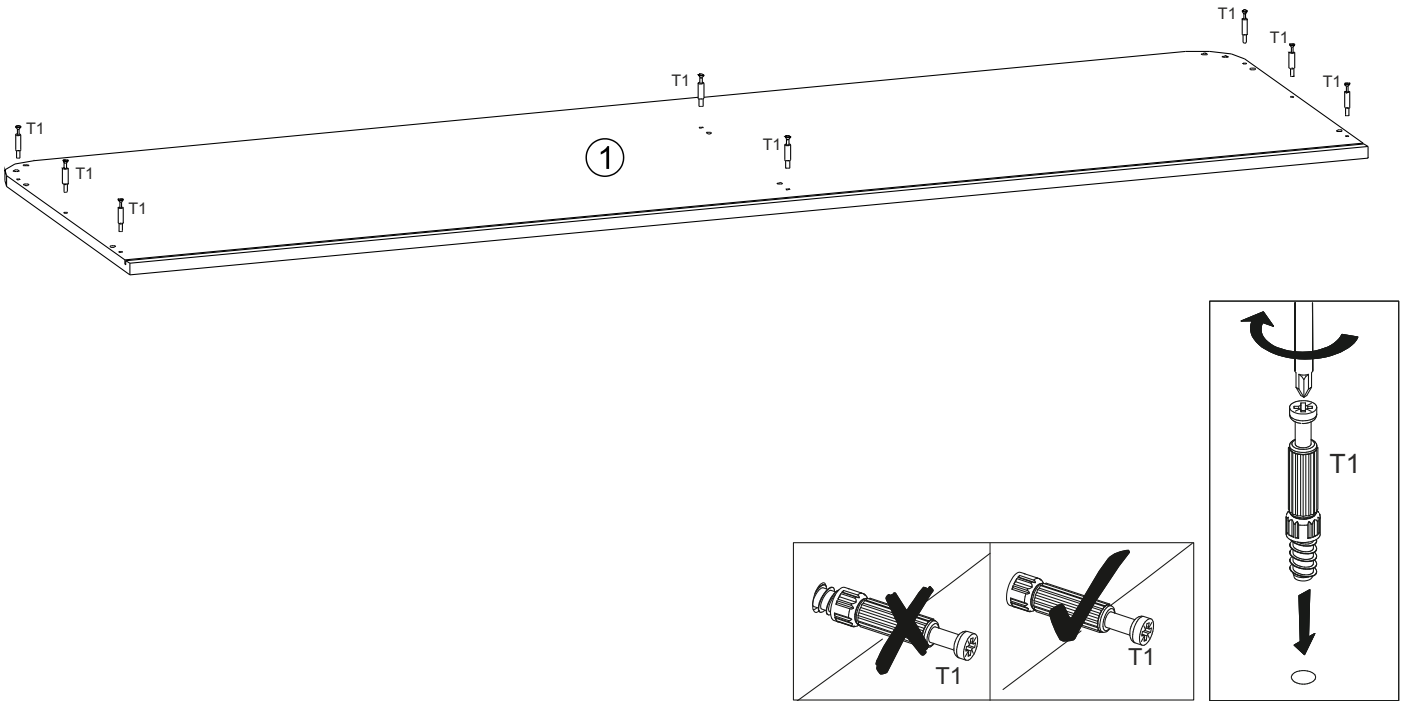
10▶



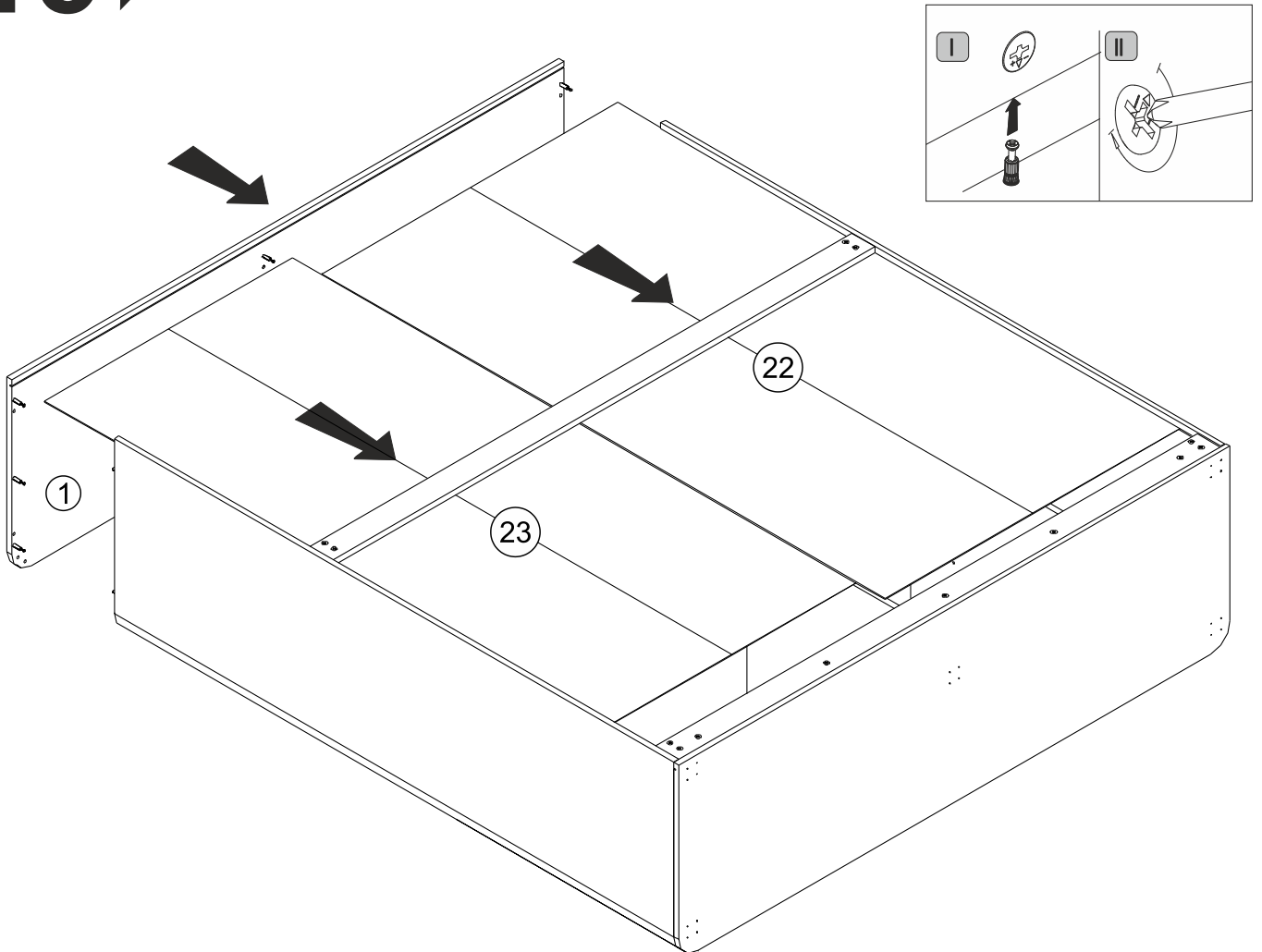
11▶



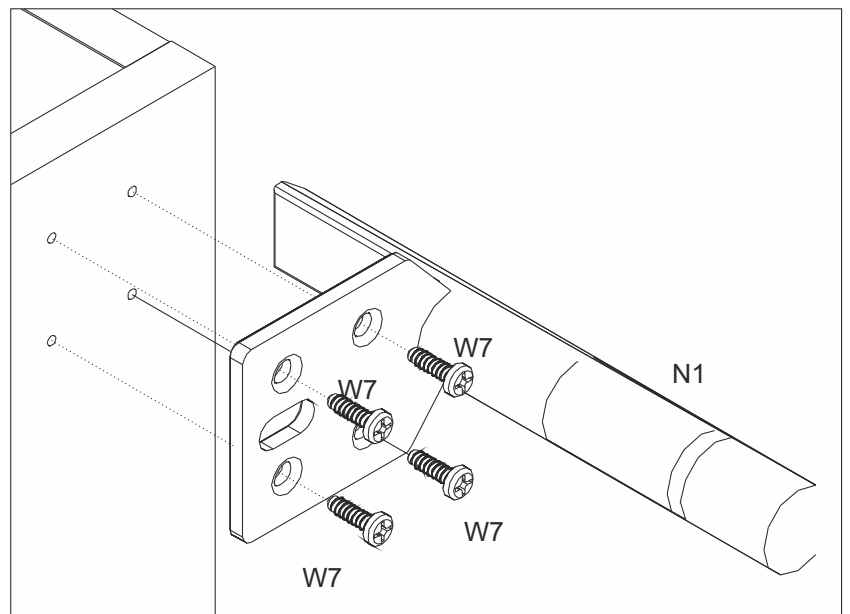
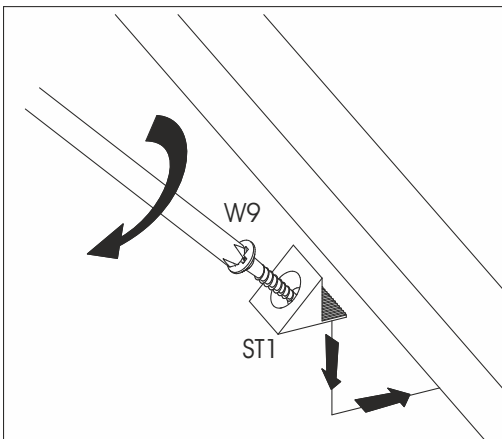
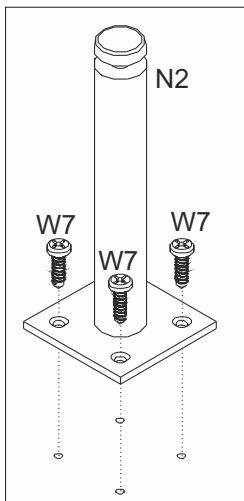
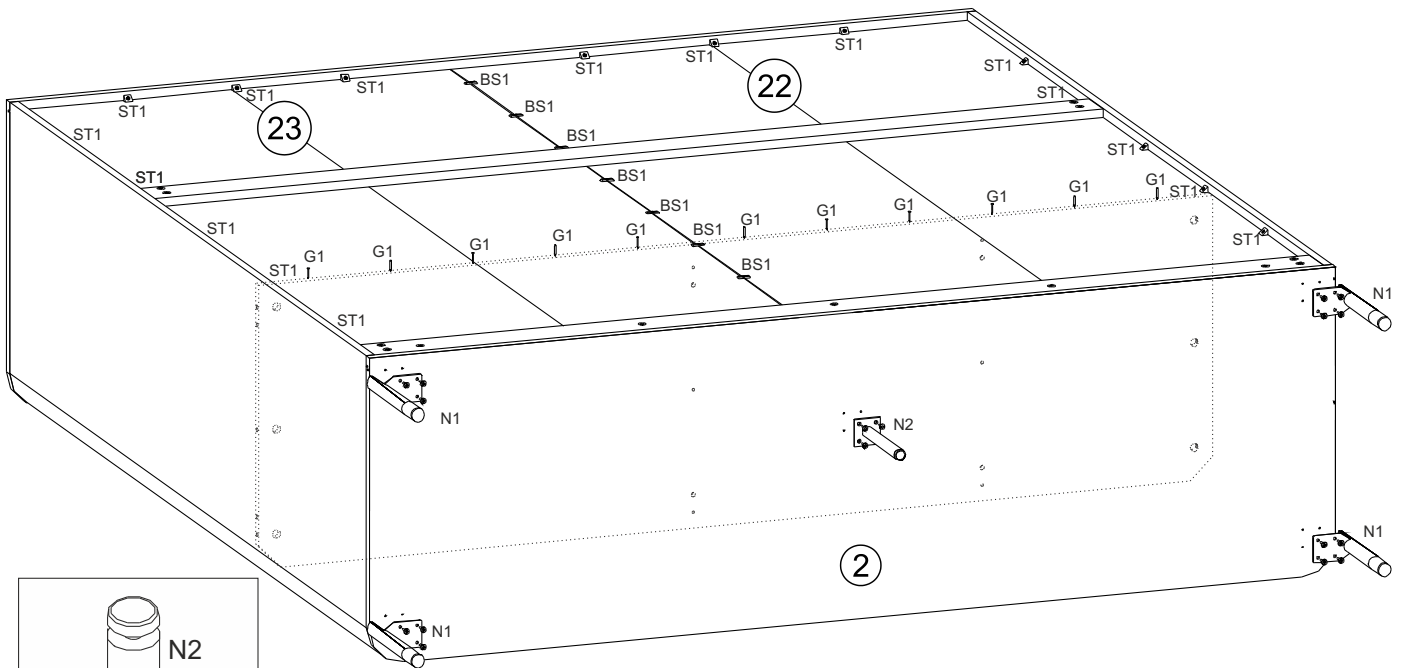
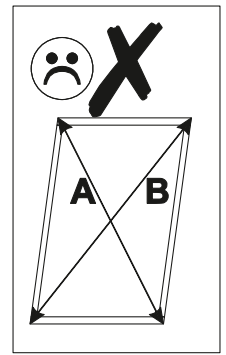
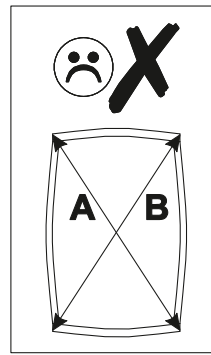
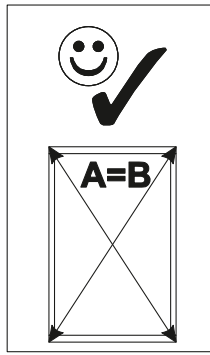
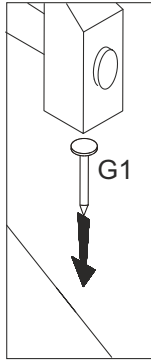
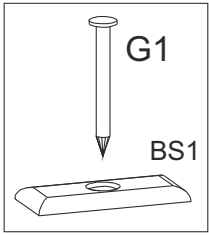
14 ▶



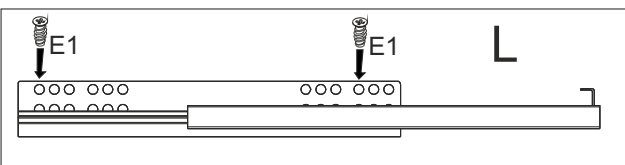
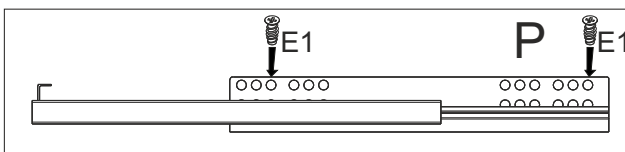
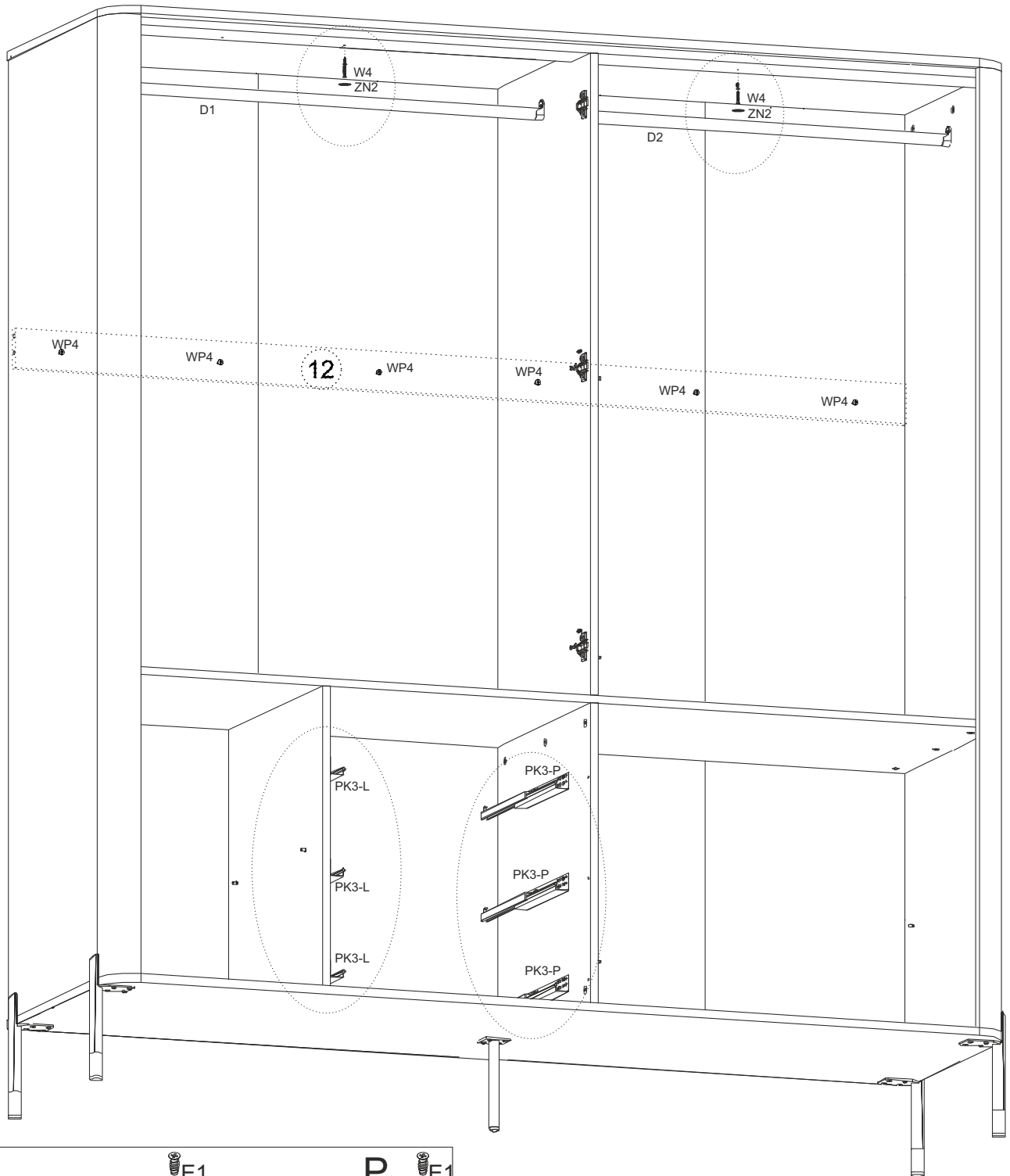
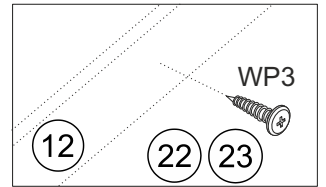
15 ▶



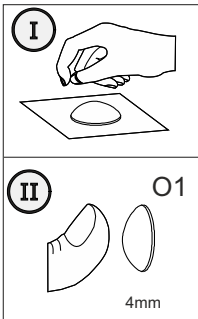
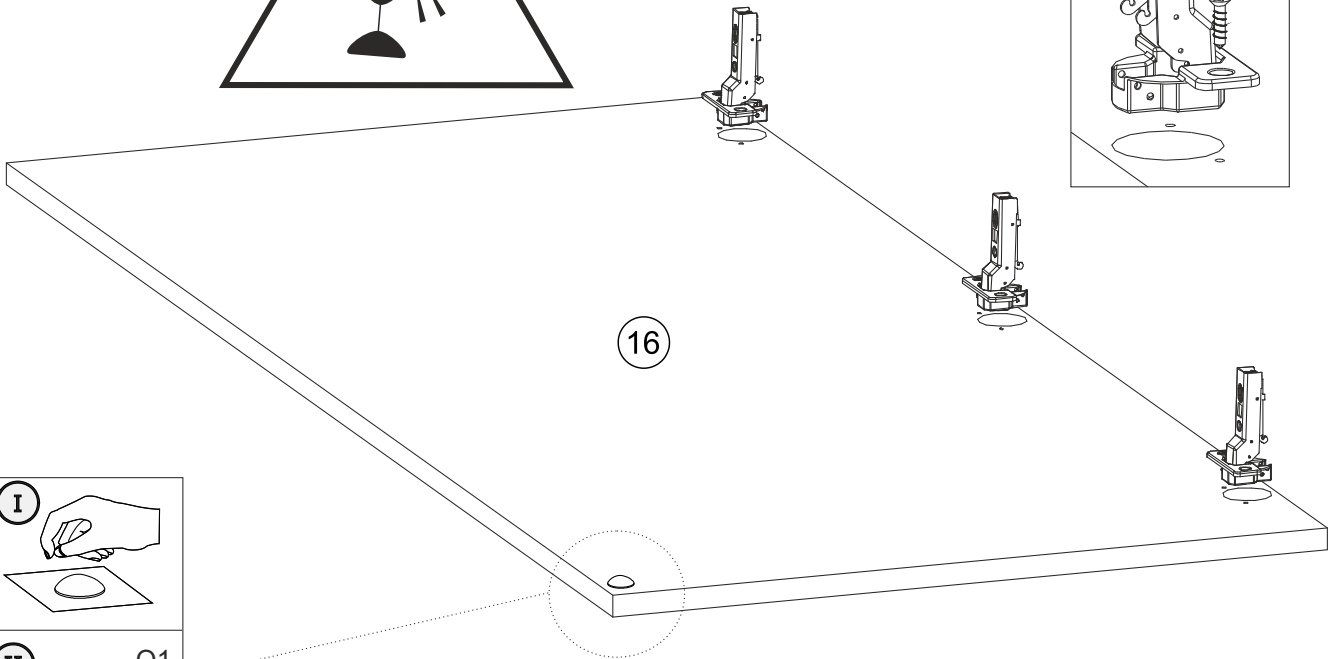
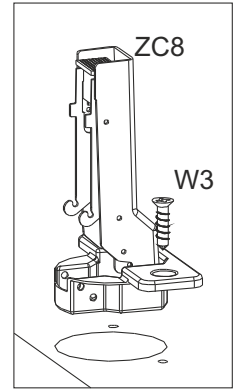
16 ▶



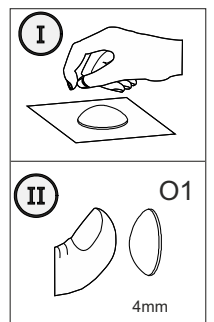
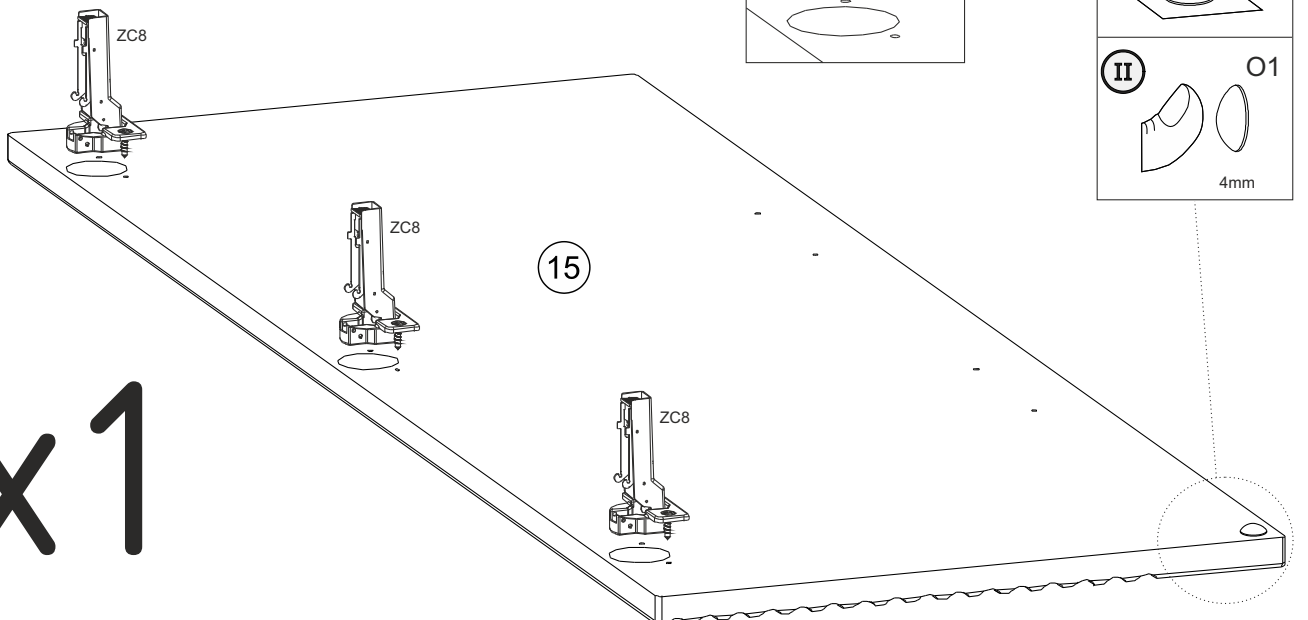
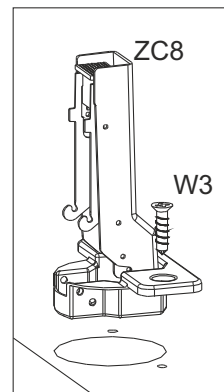
17▶



18 ▶

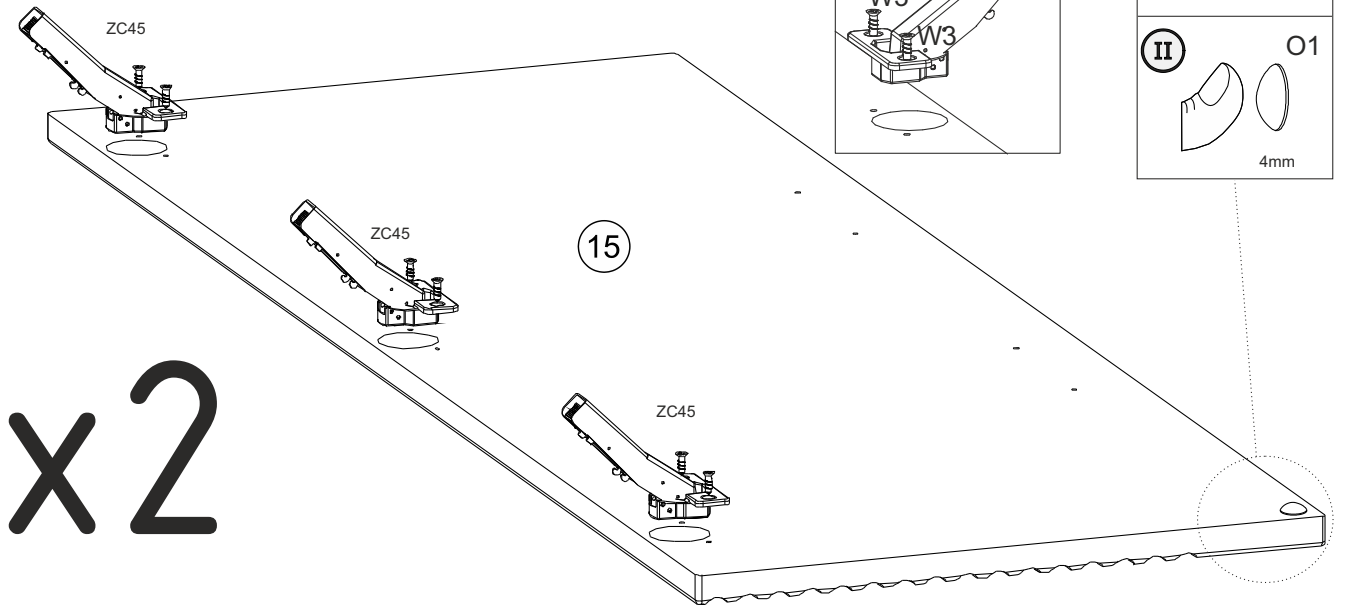


19 ▶

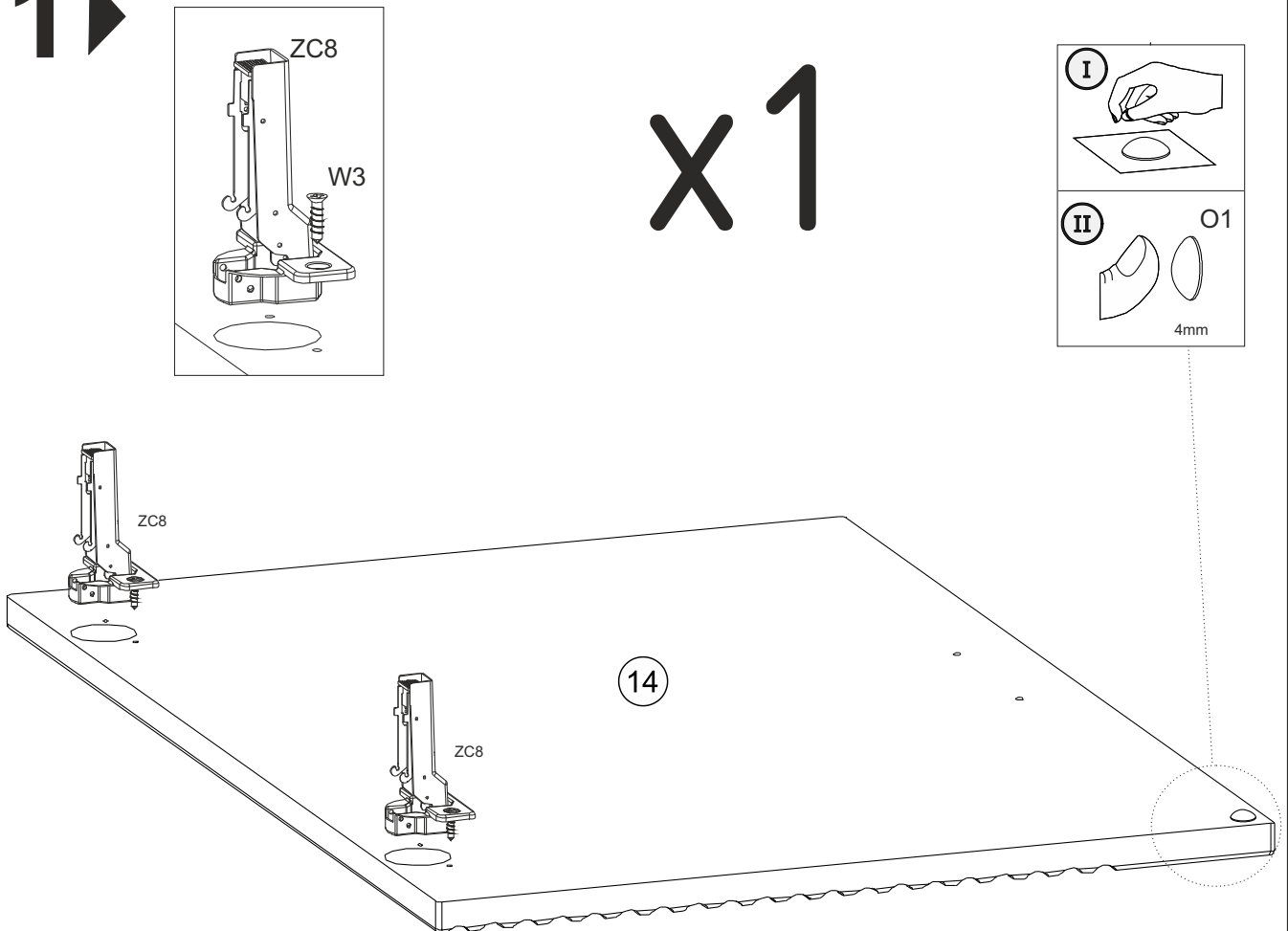


x1

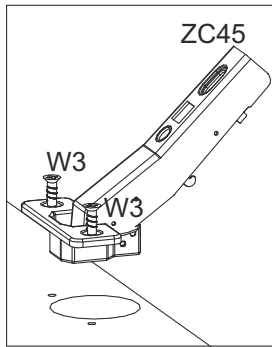
20 ▶



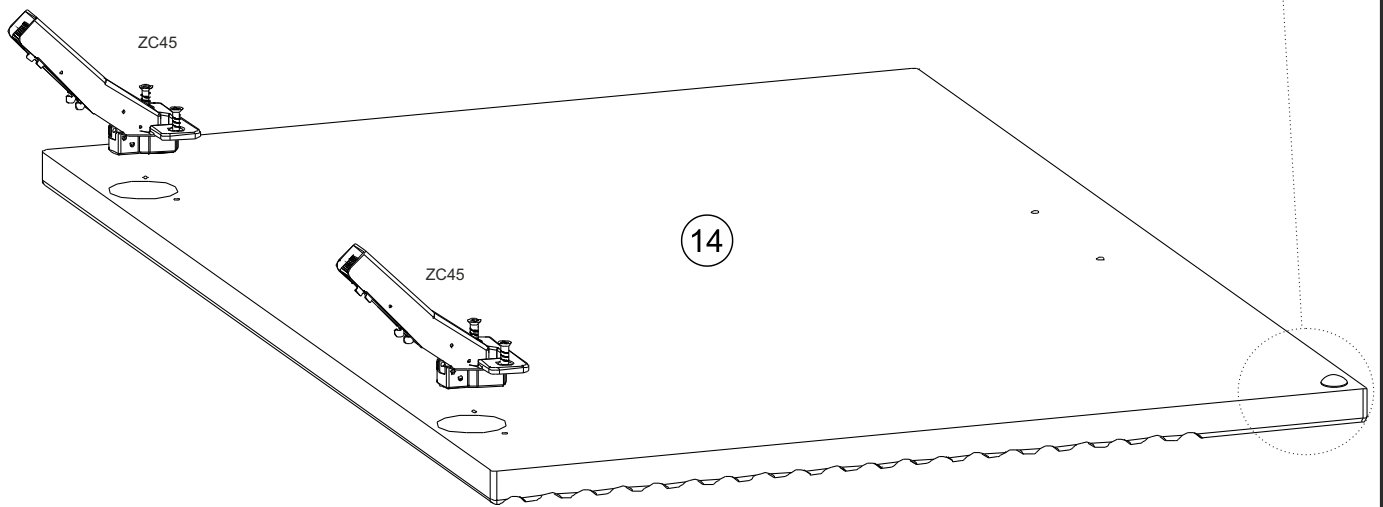
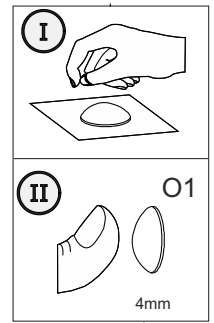
21 ▶



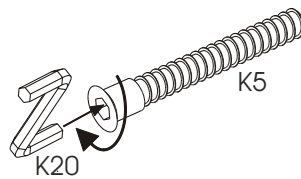
22 ▶



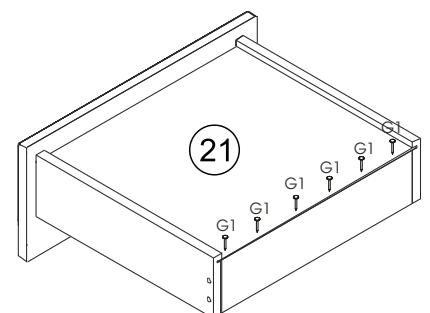
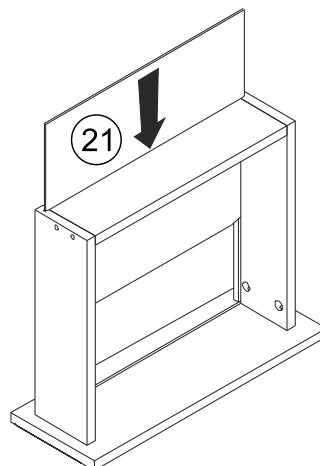
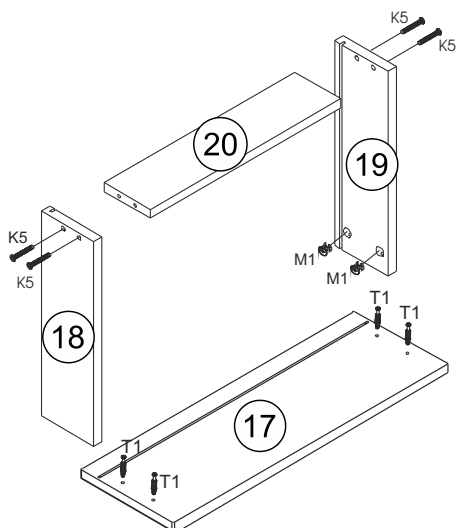
x2



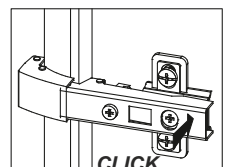
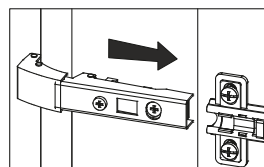
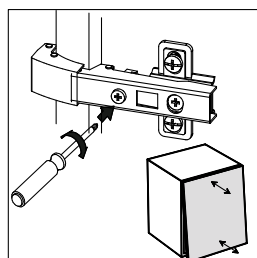
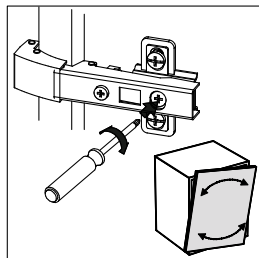
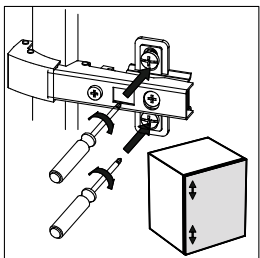
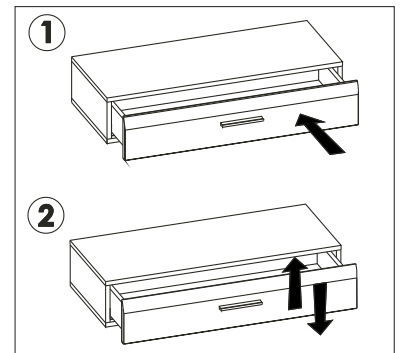
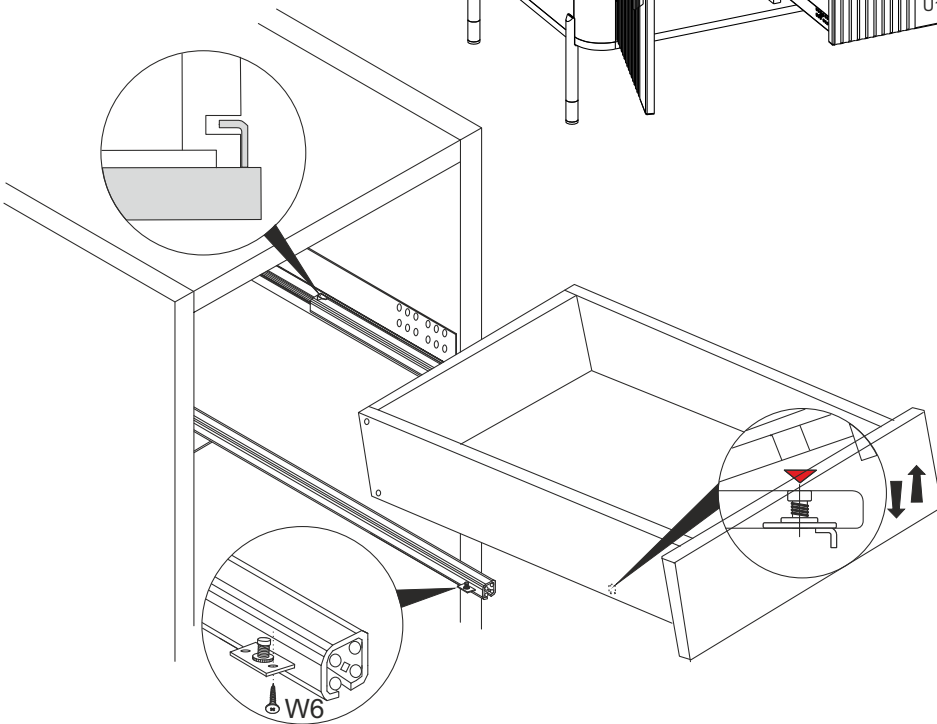
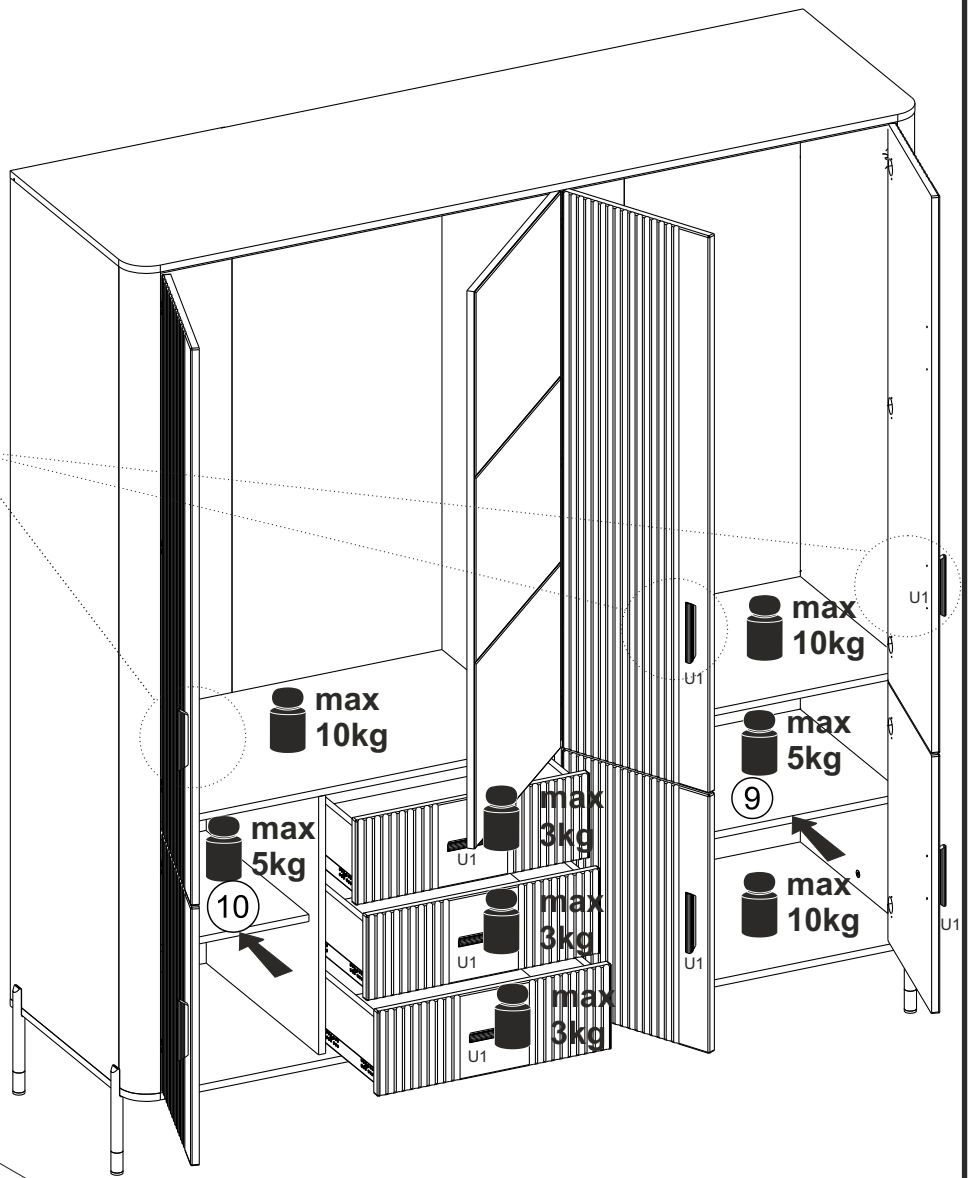
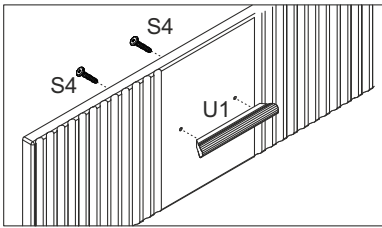
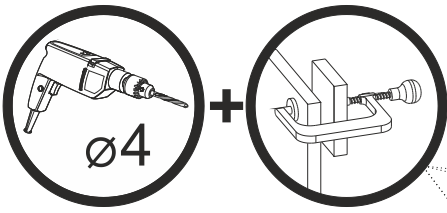
23 ▶



x3



24



25 ▶

