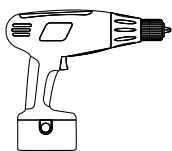
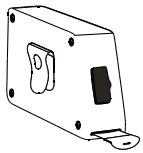
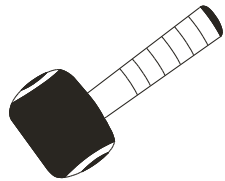
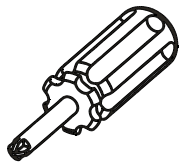
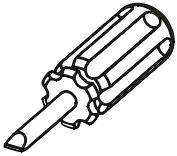
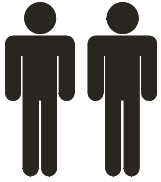
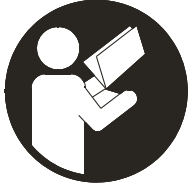


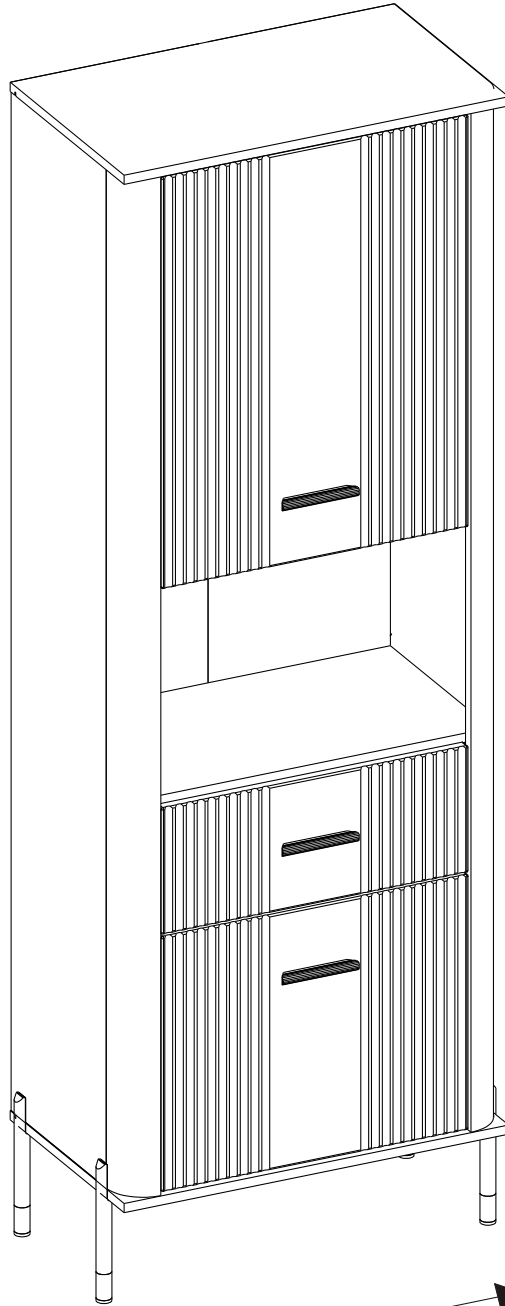
# MODELL: DT15



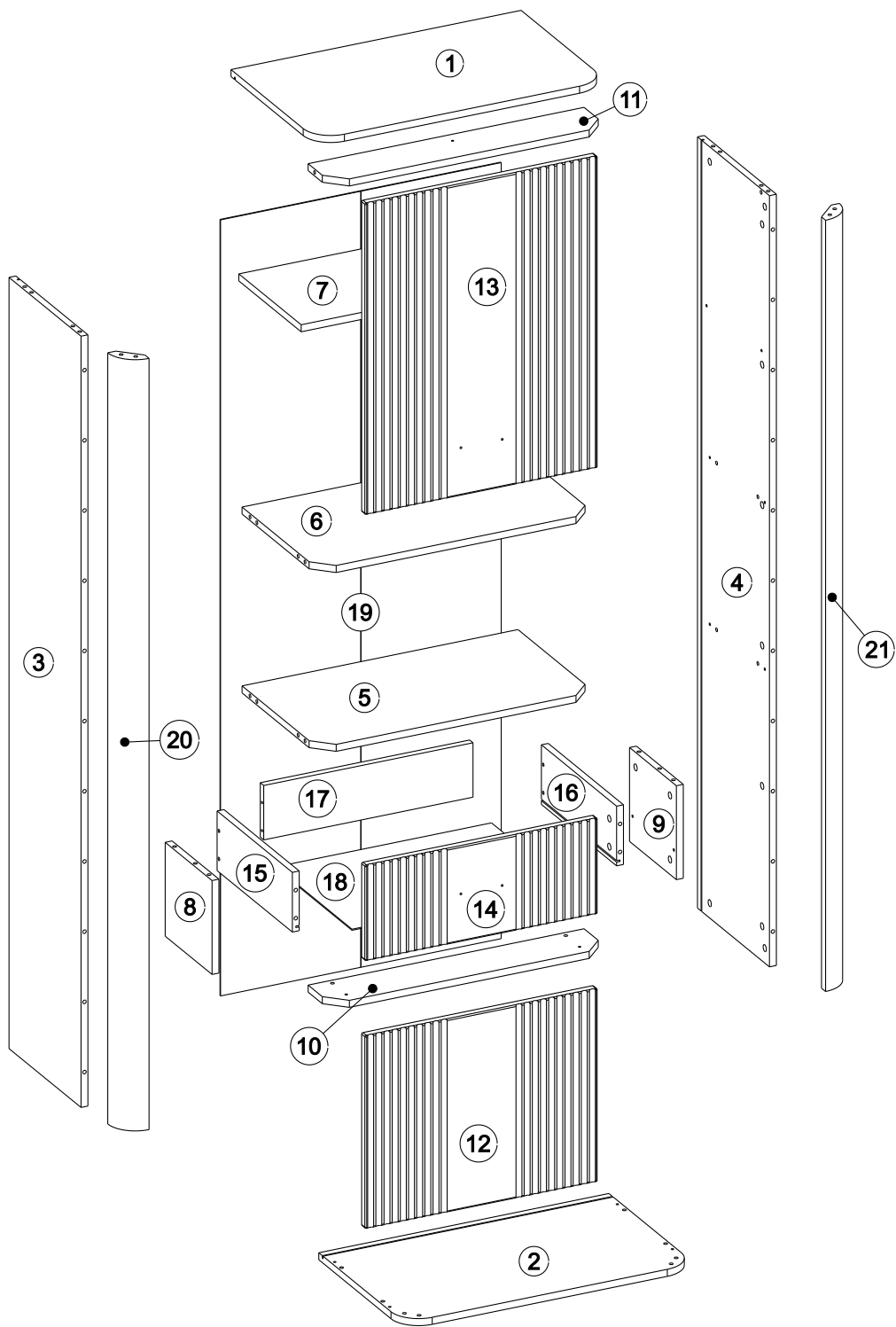
197

40

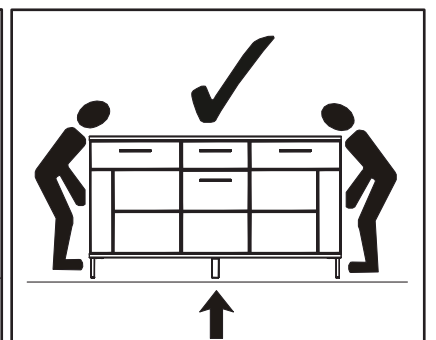
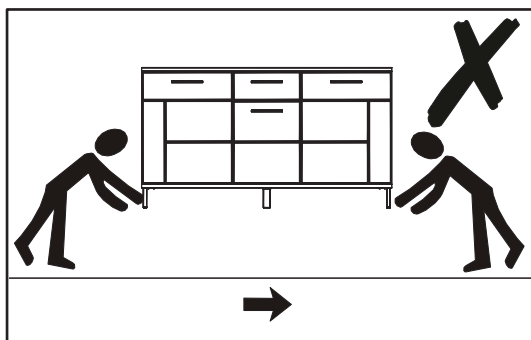
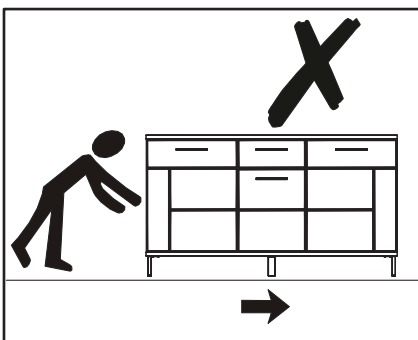
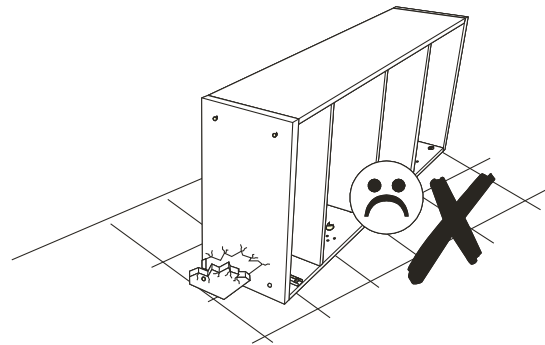
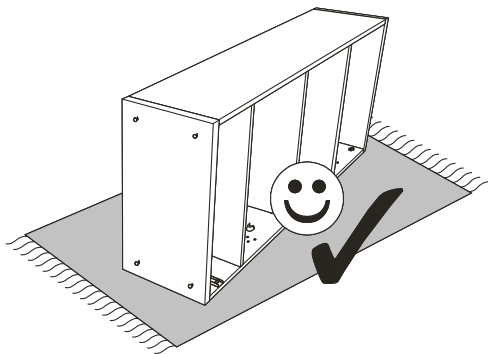
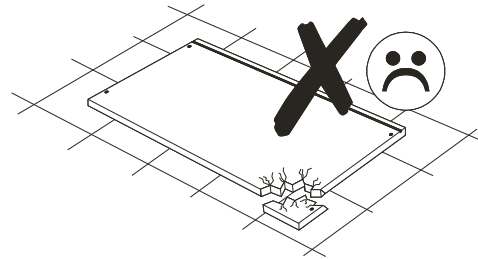
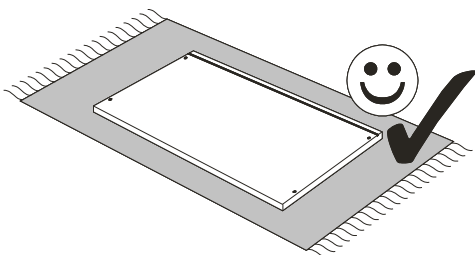
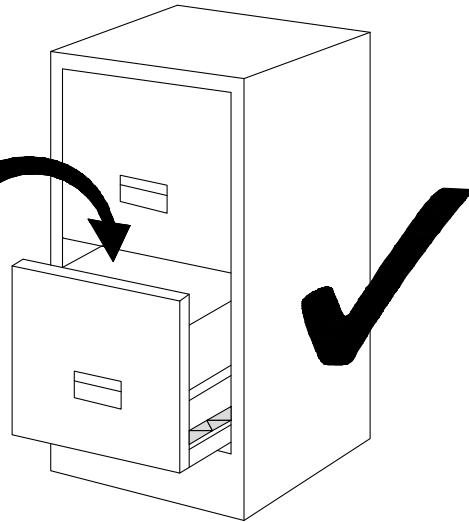
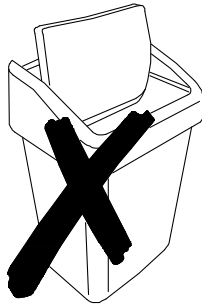
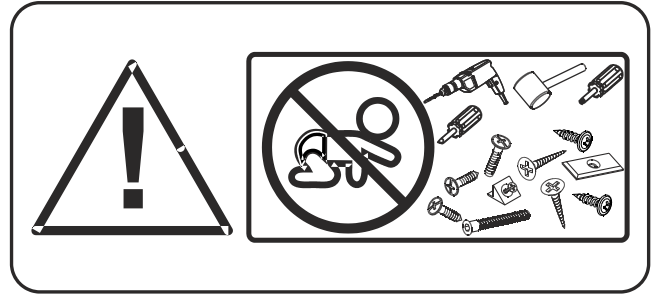
70,5

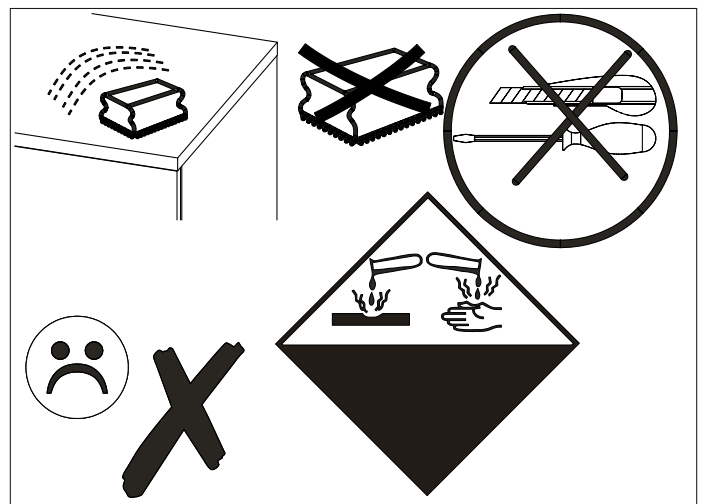
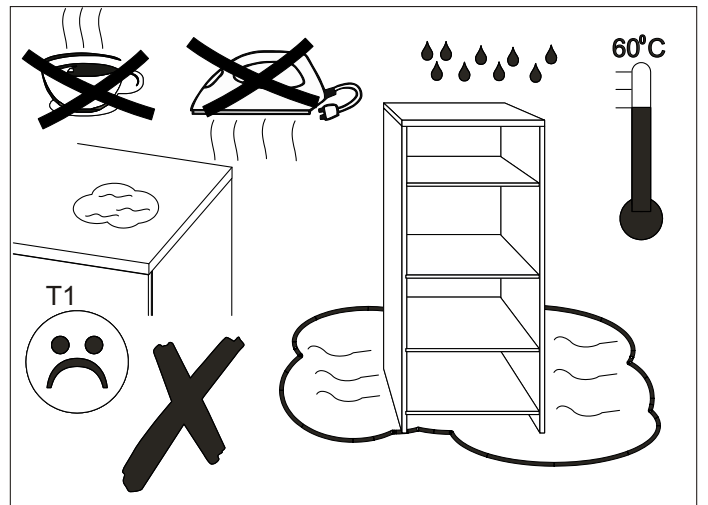
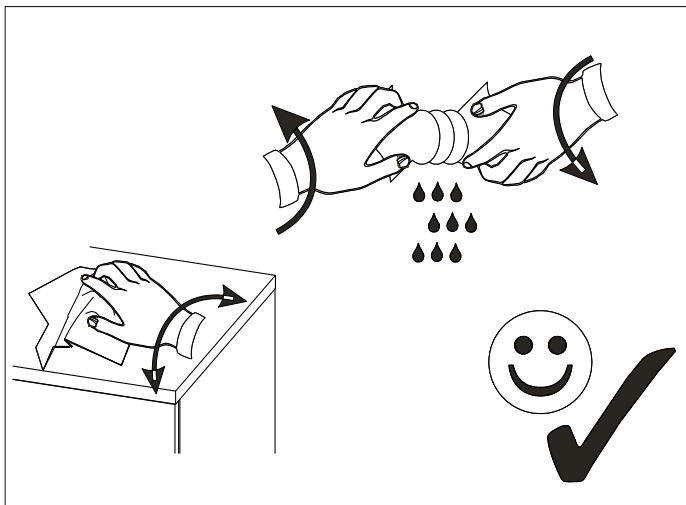
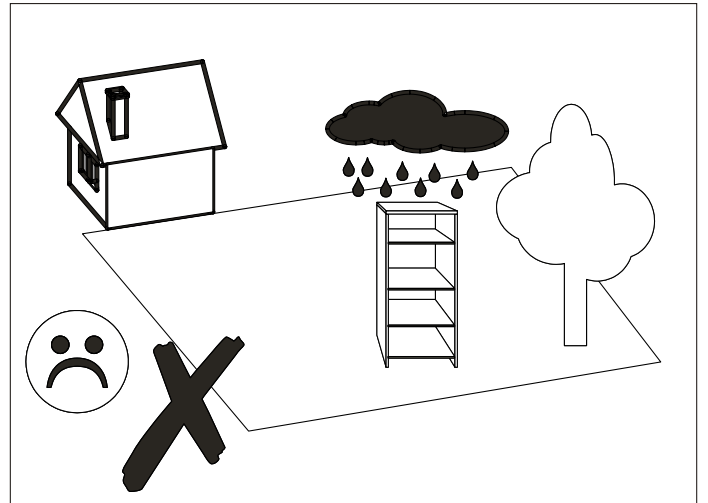
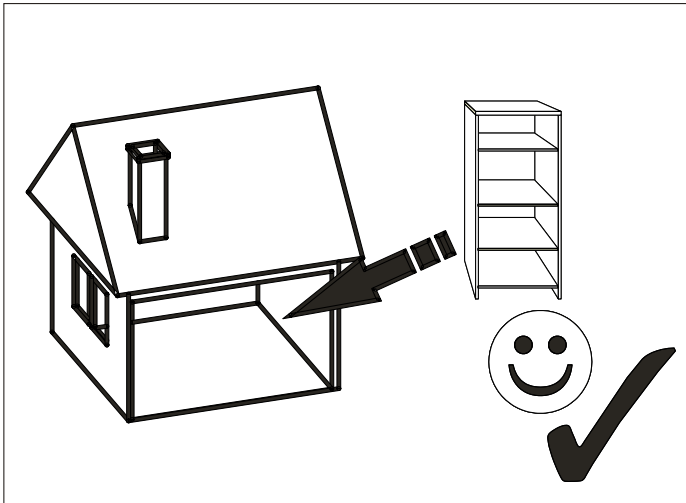


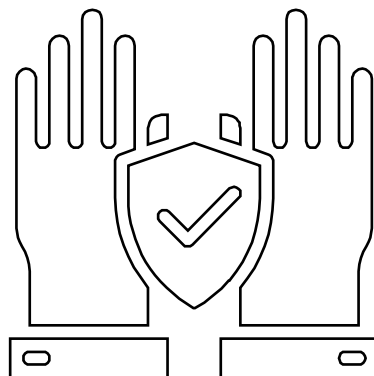
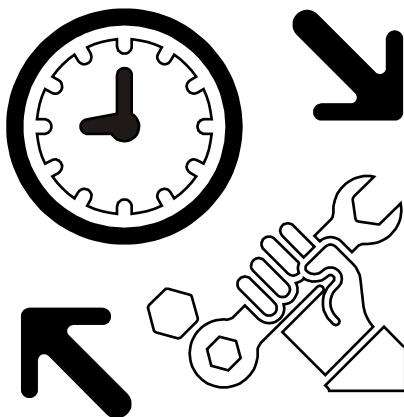
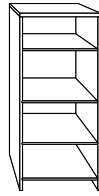
4x  ZC45	10x  3.5x13 W3	1x  4x30 W4	2x  4mm O1	4x  B1	6x  M4x24 S4			
1x  Ł1	2x  3x16 W6	12x  ST1	1x  #350L PK3	1x  #350P PK3	12x  3x20 W9	4x  N1	1x  #14/863 ZN1	28x  #20/863 ZN1
4x  6.4x50 K5	40x  8x30 K1	3x  U 1	1x  K20	38x  #15/15 M1	38x  DU232T T1	16x  4.5x16 W7	14x  2x20 G1	4x  6x12 E1



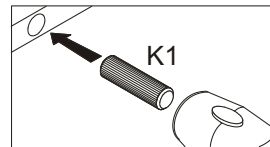
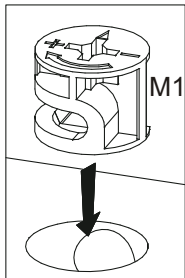
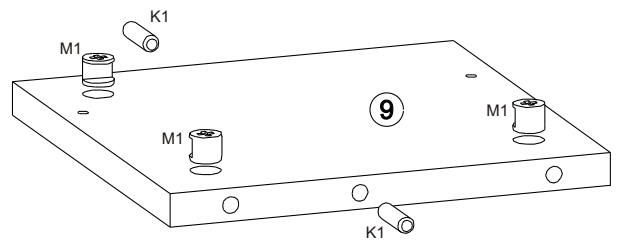
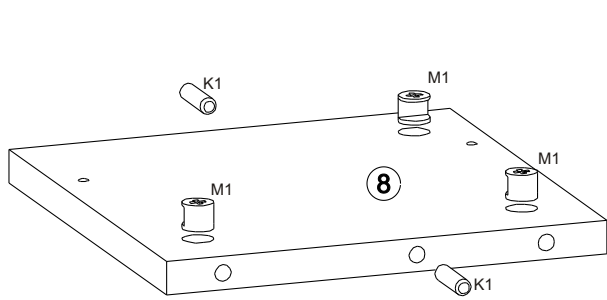
7	641x290	2/5	14	540x218	3/5	21	1758x90.5	2/5
6	642x354	2/5	13	710x540	3/5	20	1758x90.5	2/5
5	642x354	2/5	12	540x440	3/5	19	1769x653	2/5
4	1758x335.5	2/5	11	642x108	2/5	18	355x502	2/5
3	1758x335.5	2/5	10	642x108	2/5	17	487x124	1/5
2	675x400	1/5	9	214x218	2/5	16	350x136	1/5
1	675x400	1/5	8	214x218	2/5	15	350x136	1/5



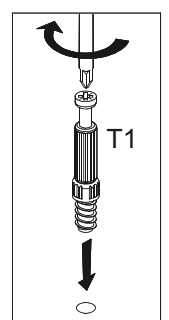
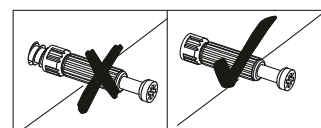
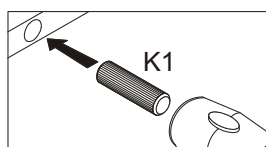
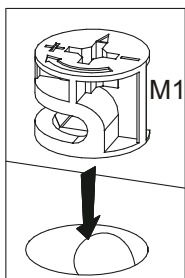
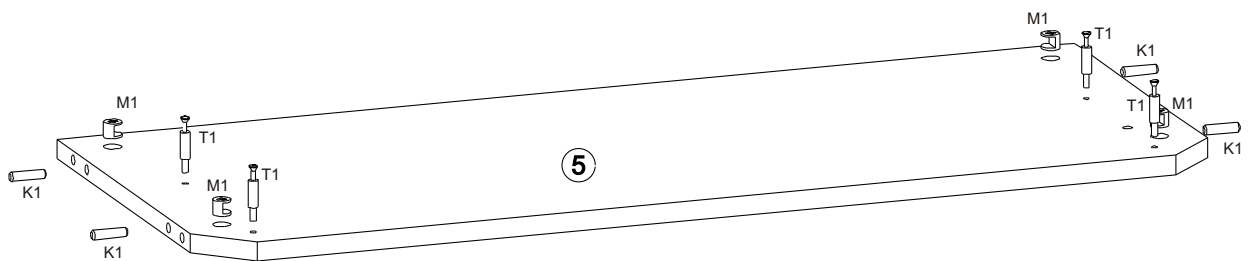
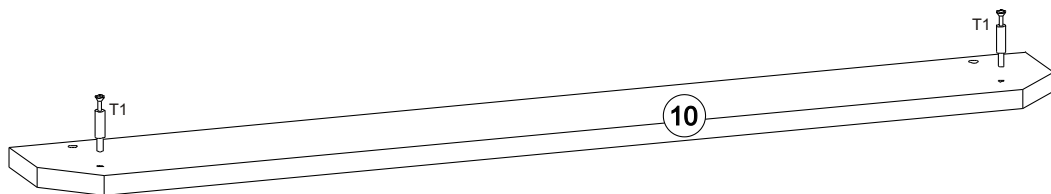




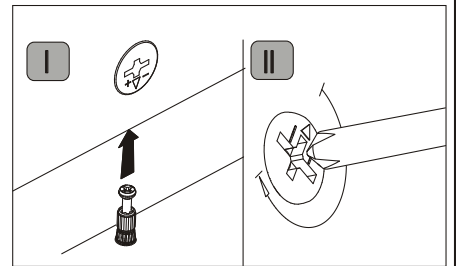
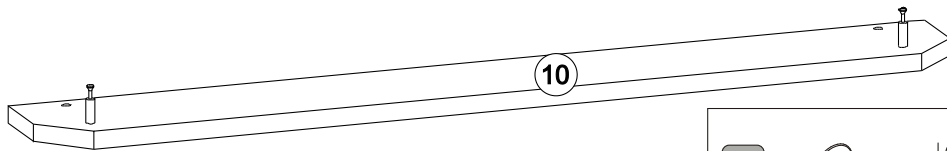
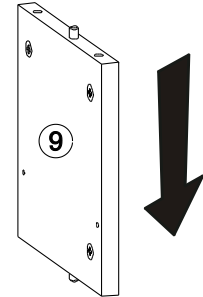
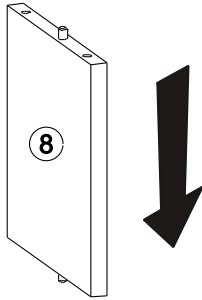
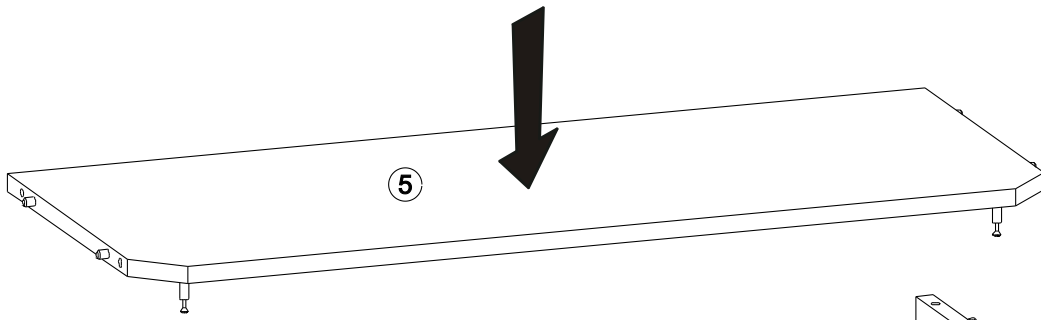
# 1



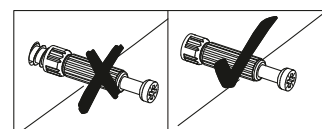
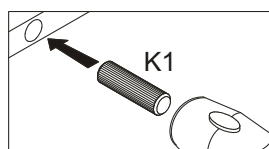
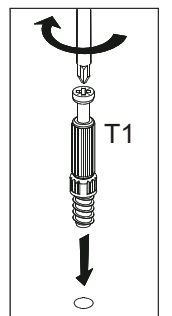
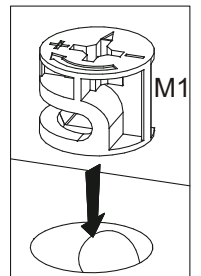
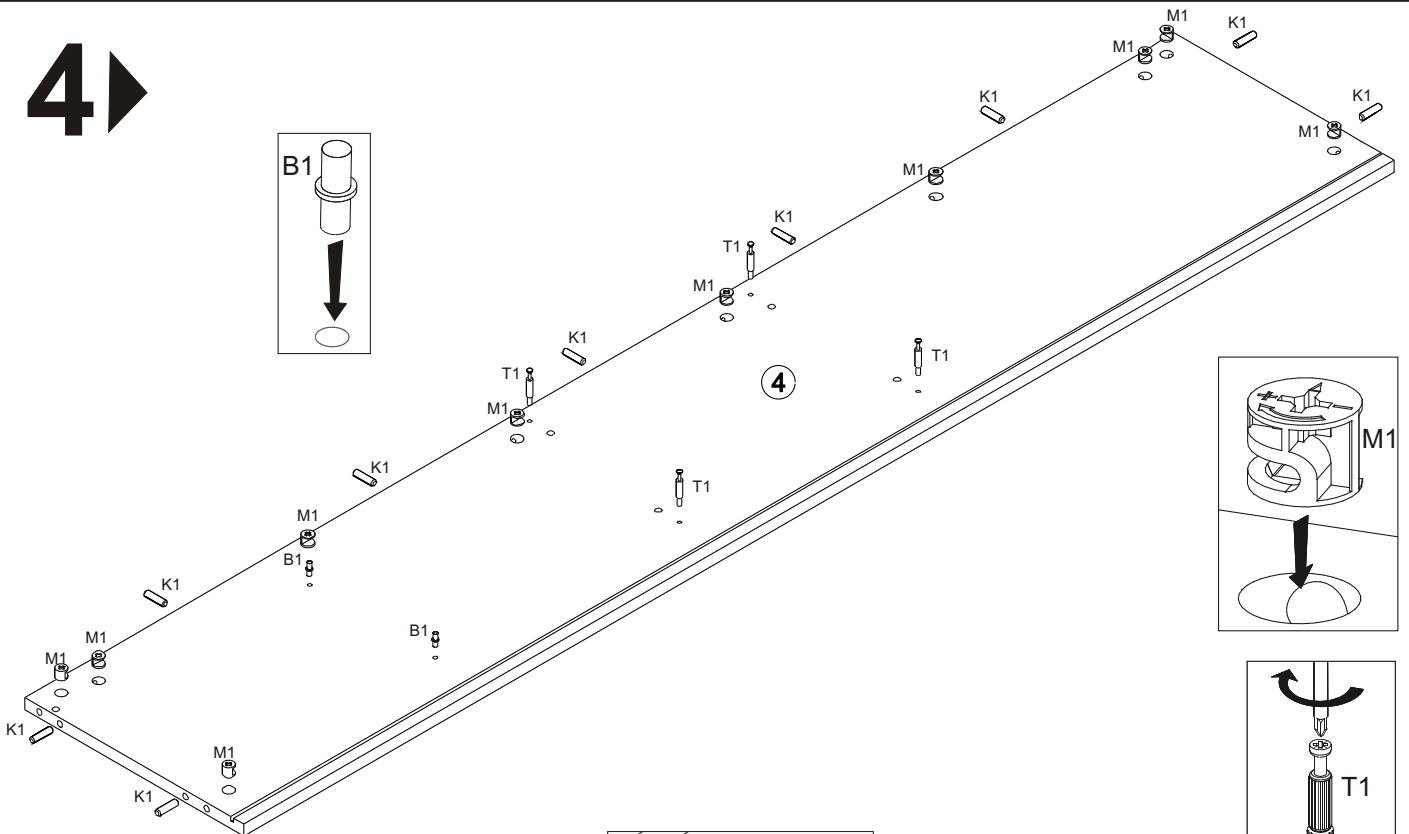
# 2



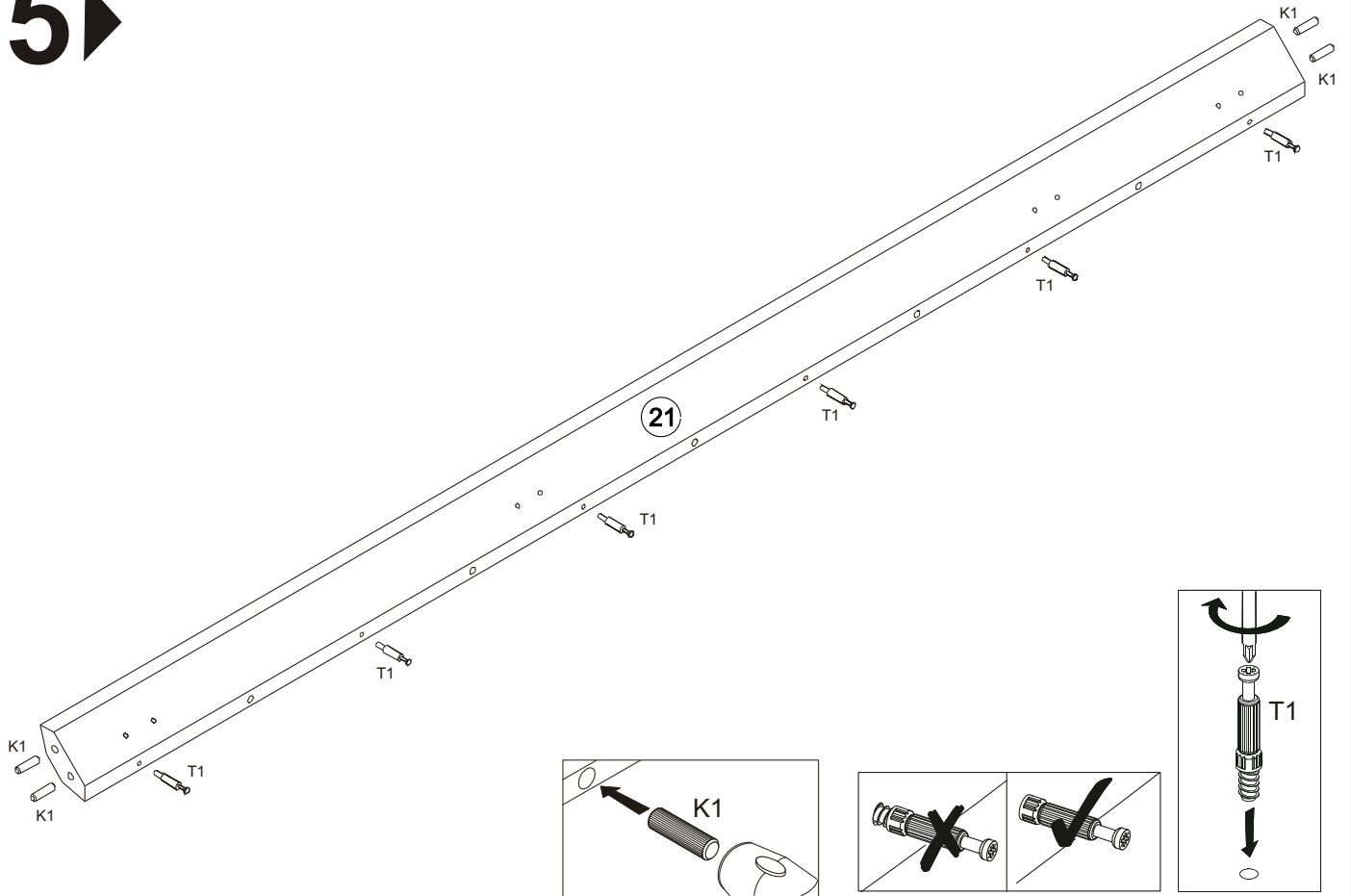
3 ▶



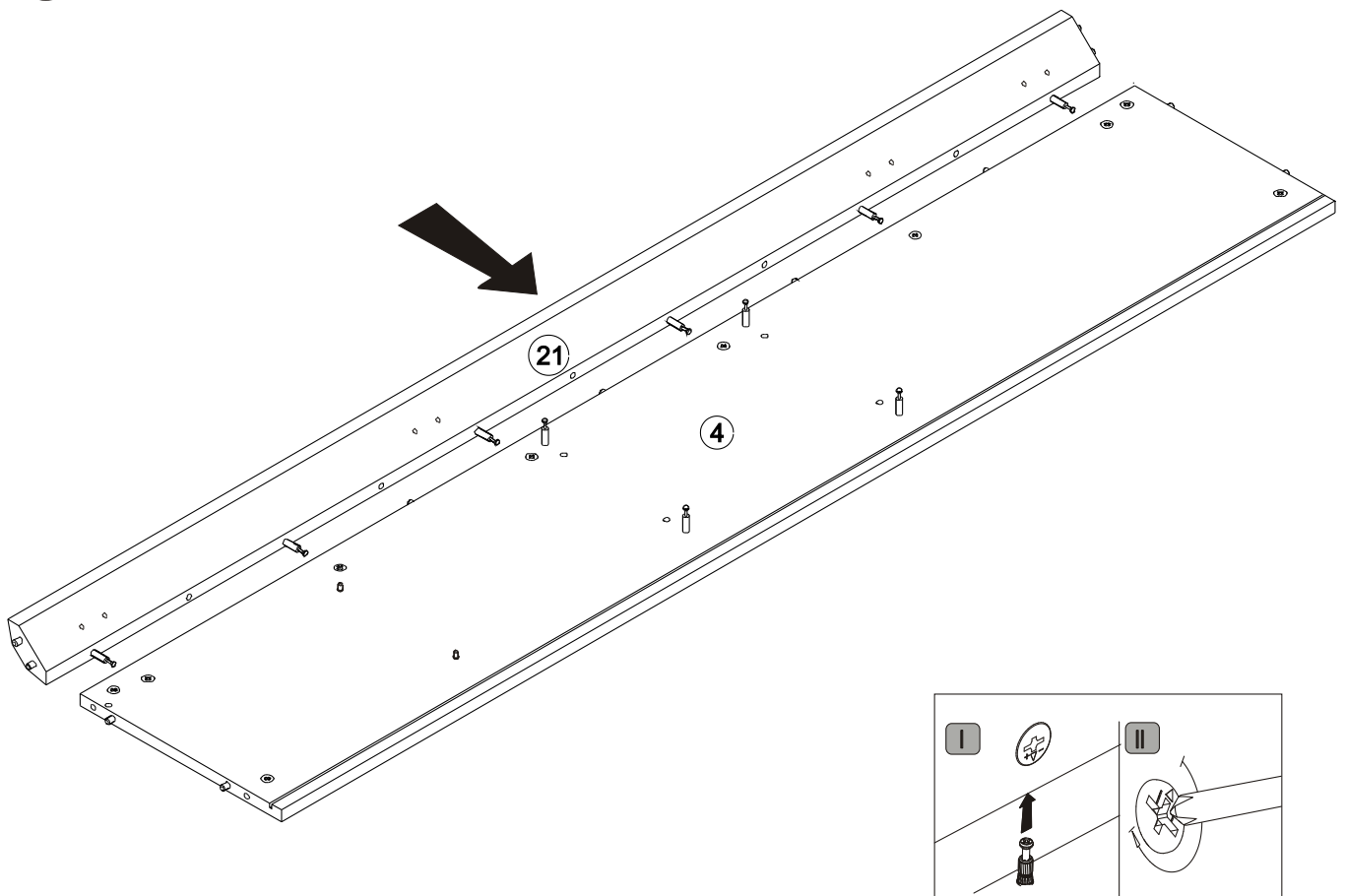
4 ▶



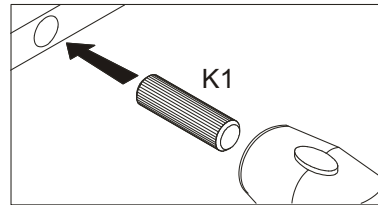
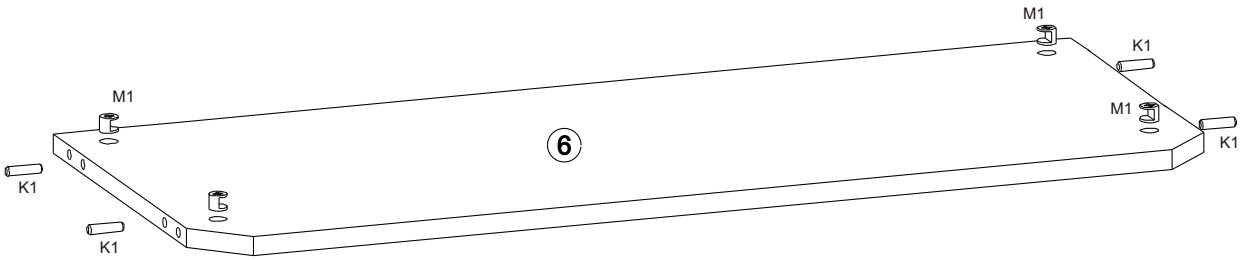
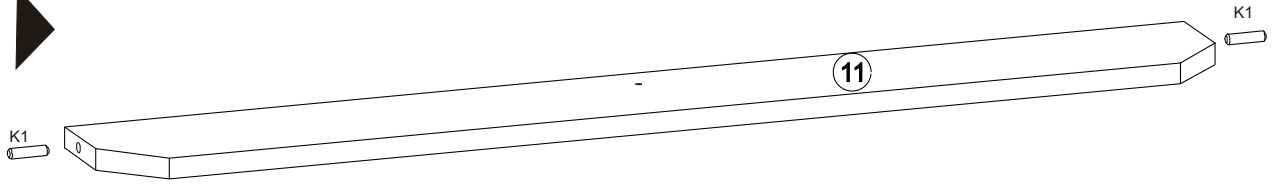
# 5 ▶



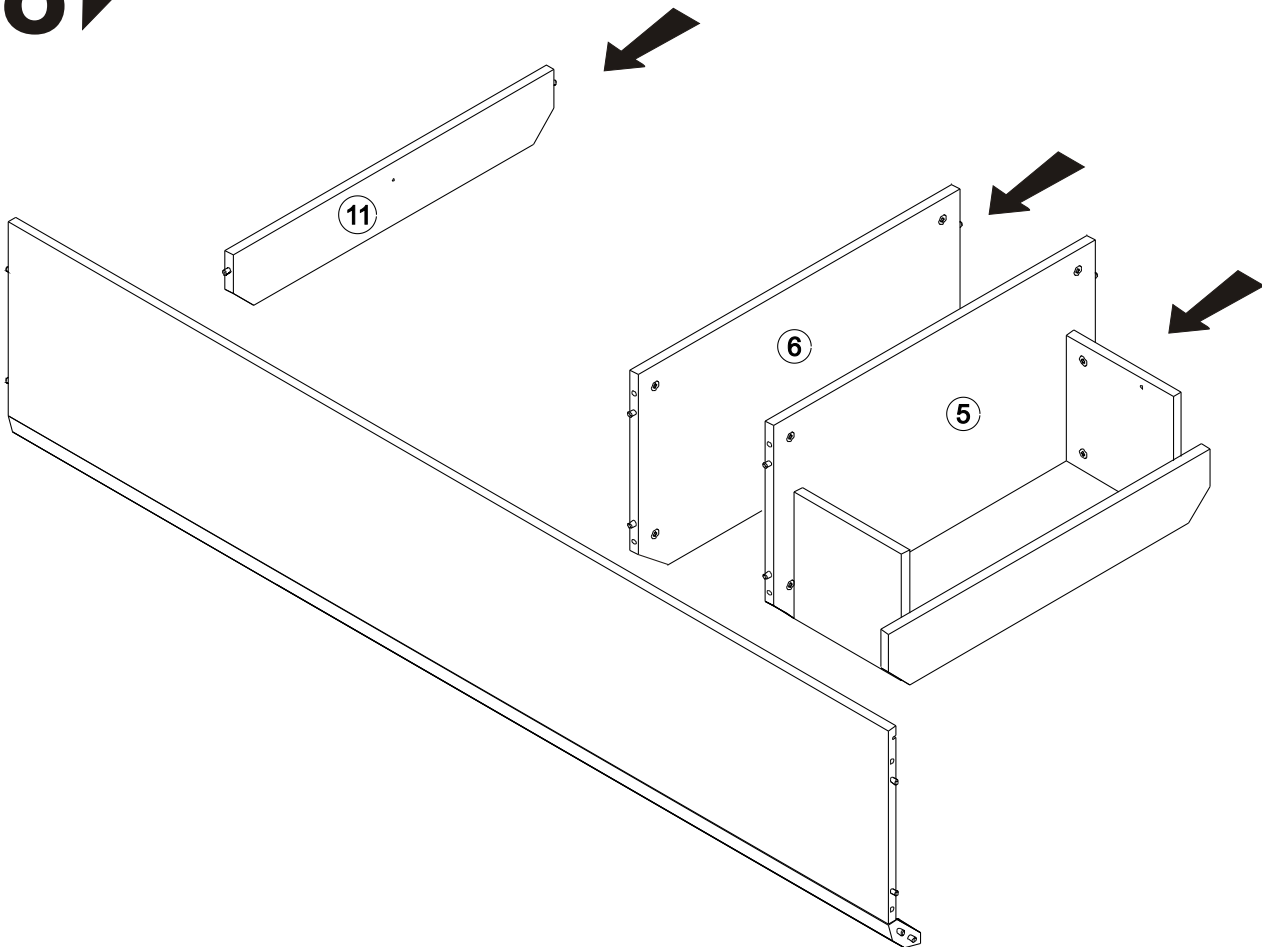
# 6 ▶



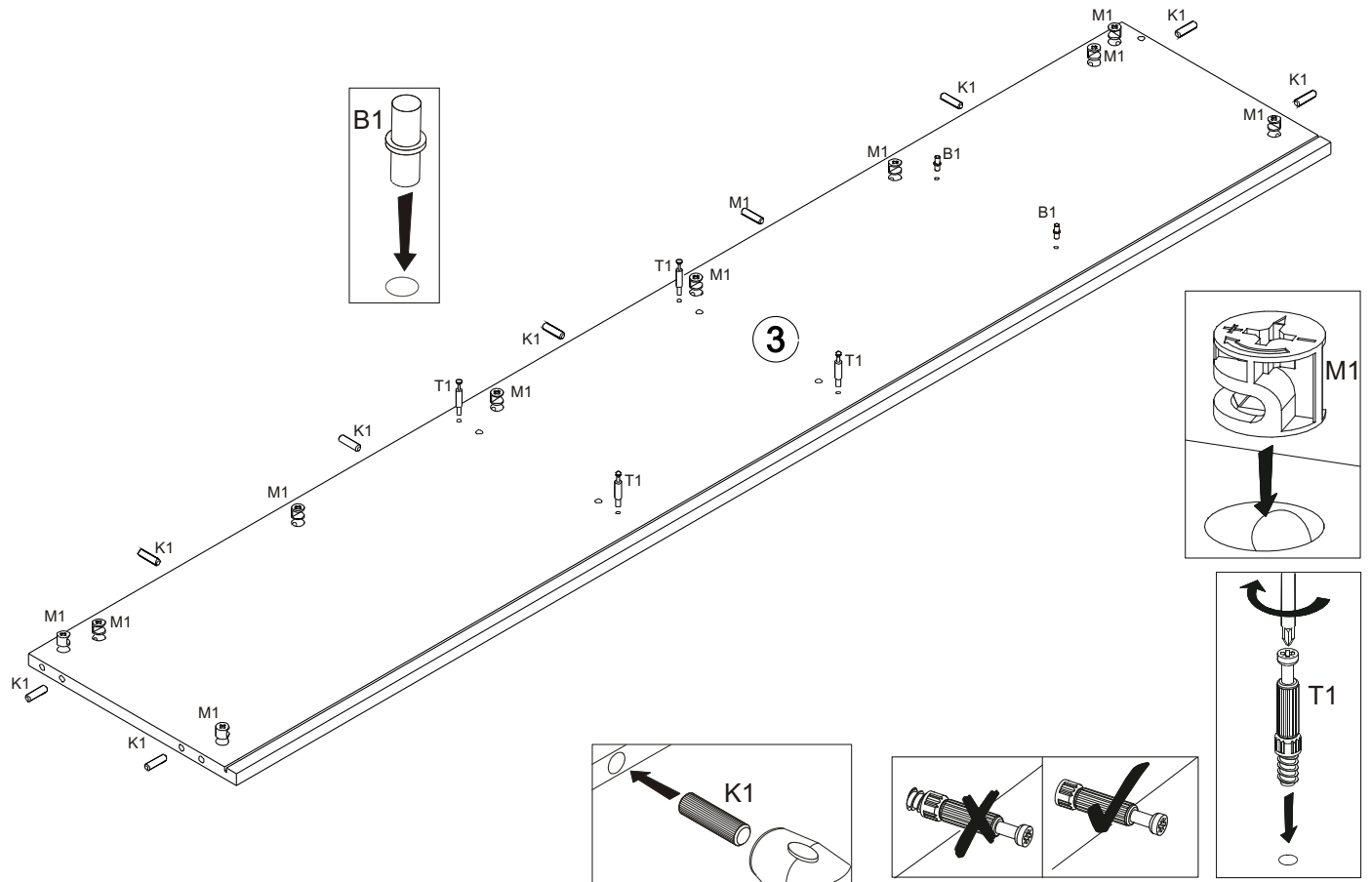
7 ▶



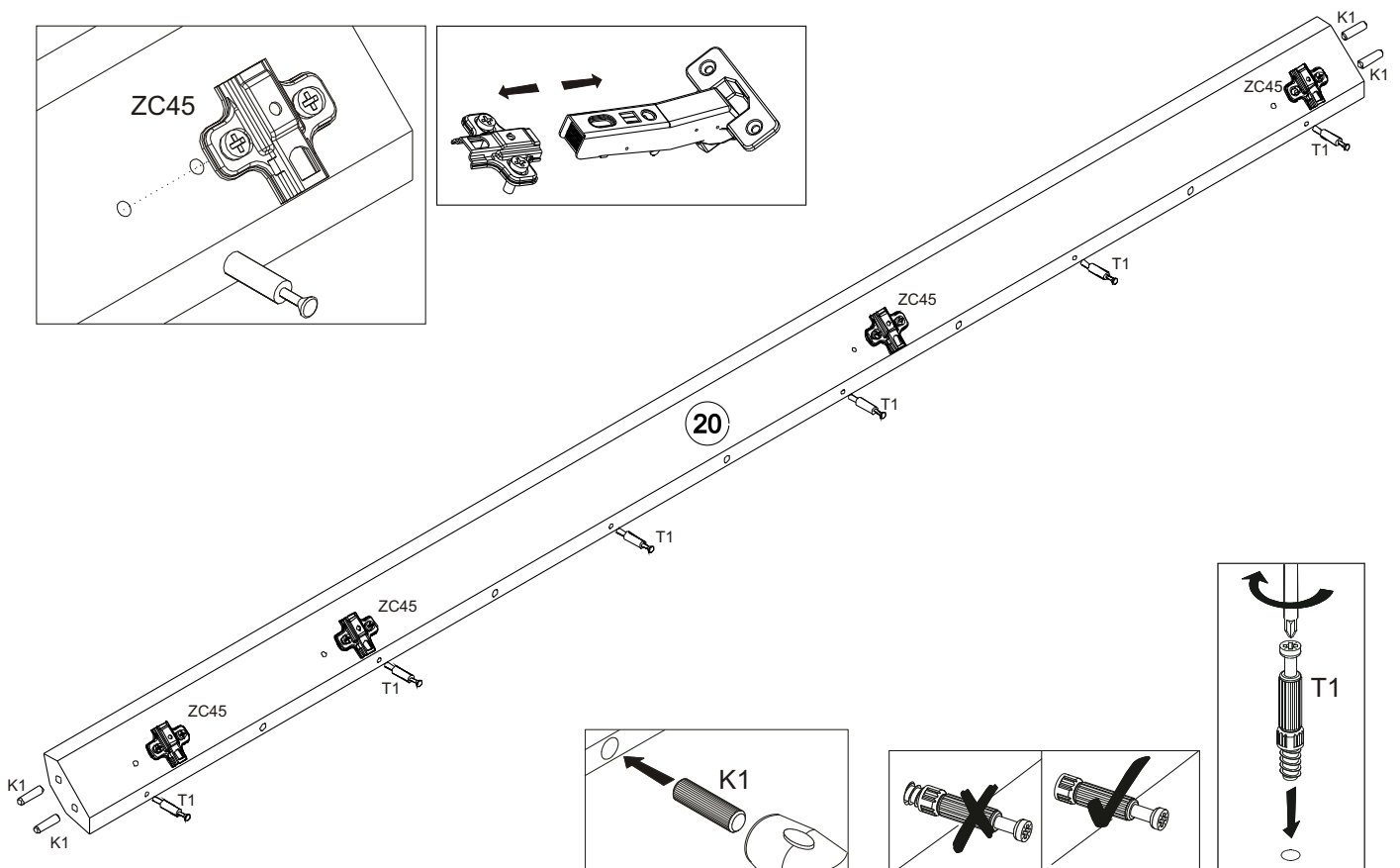
8 ▶



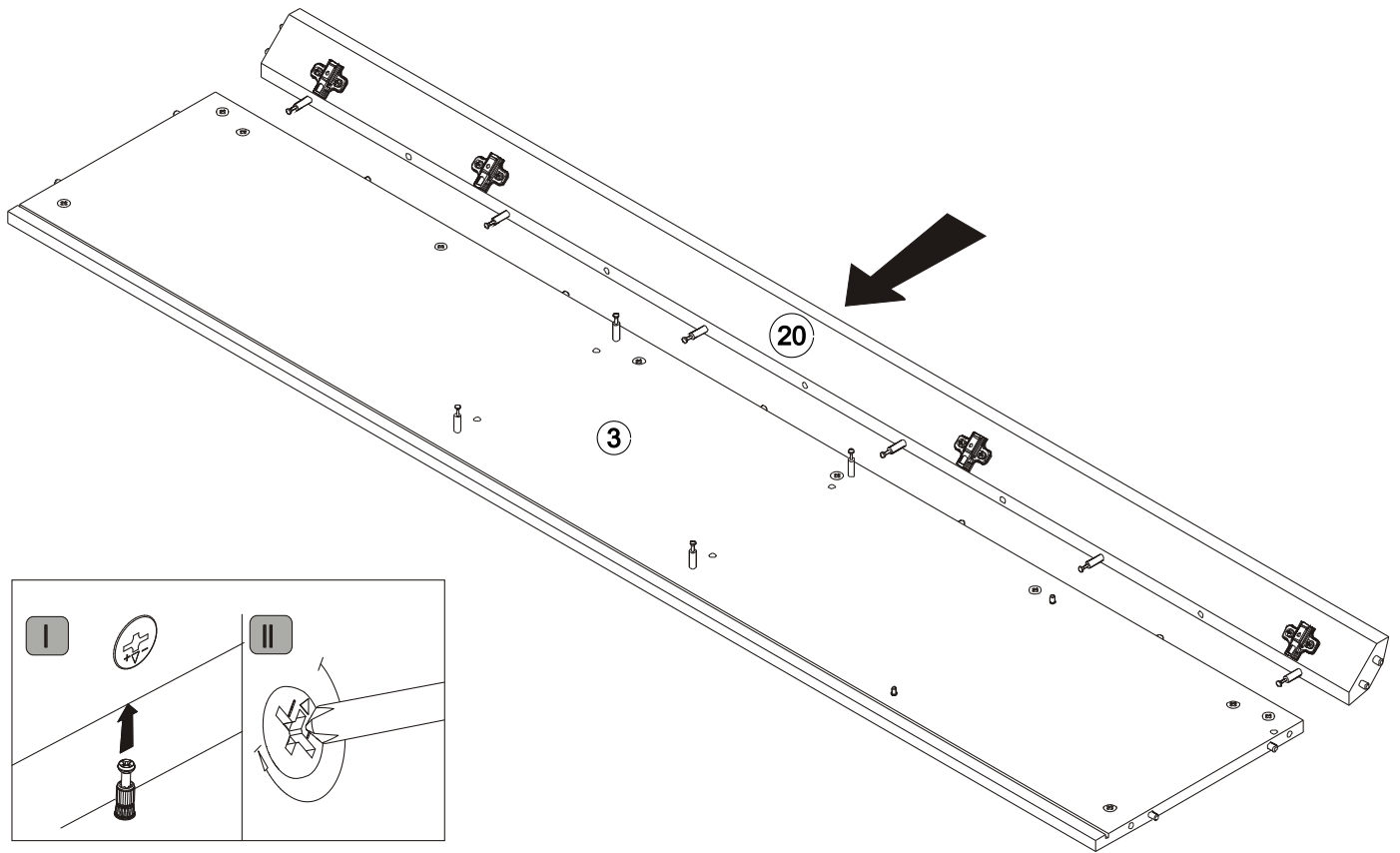
# 9 ▶



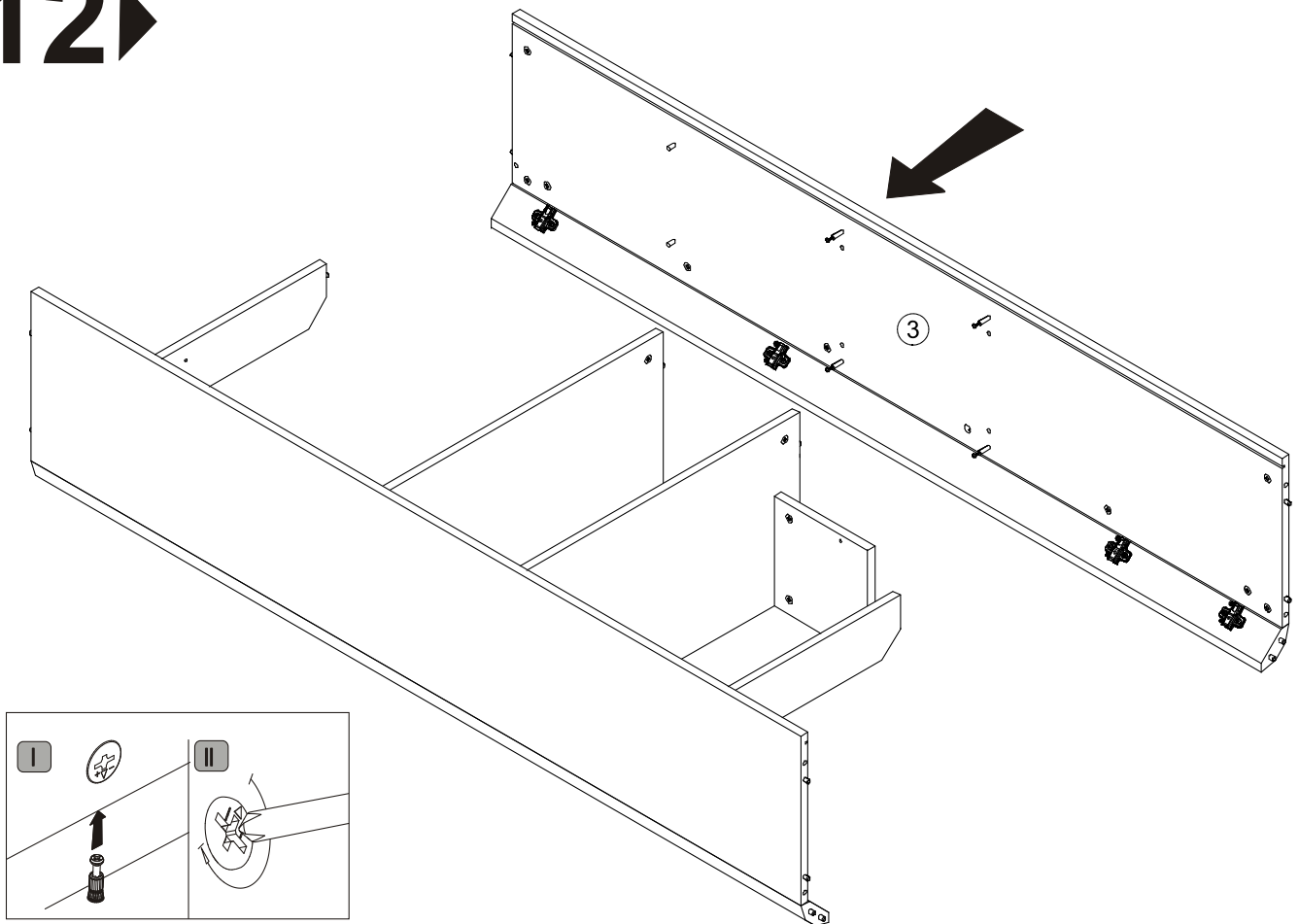
# 10 ▶



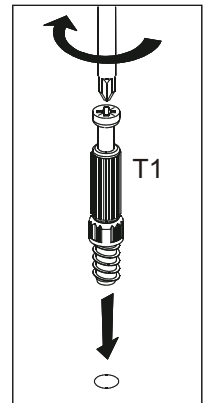
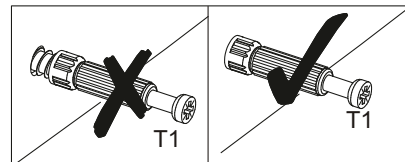
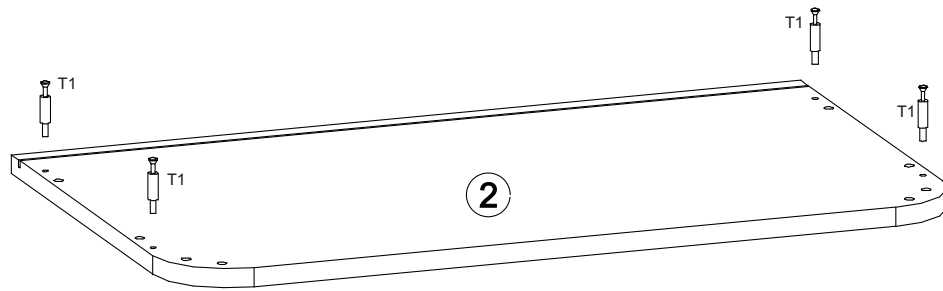
# 11 ▶



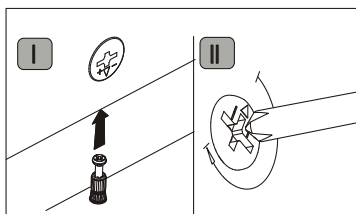
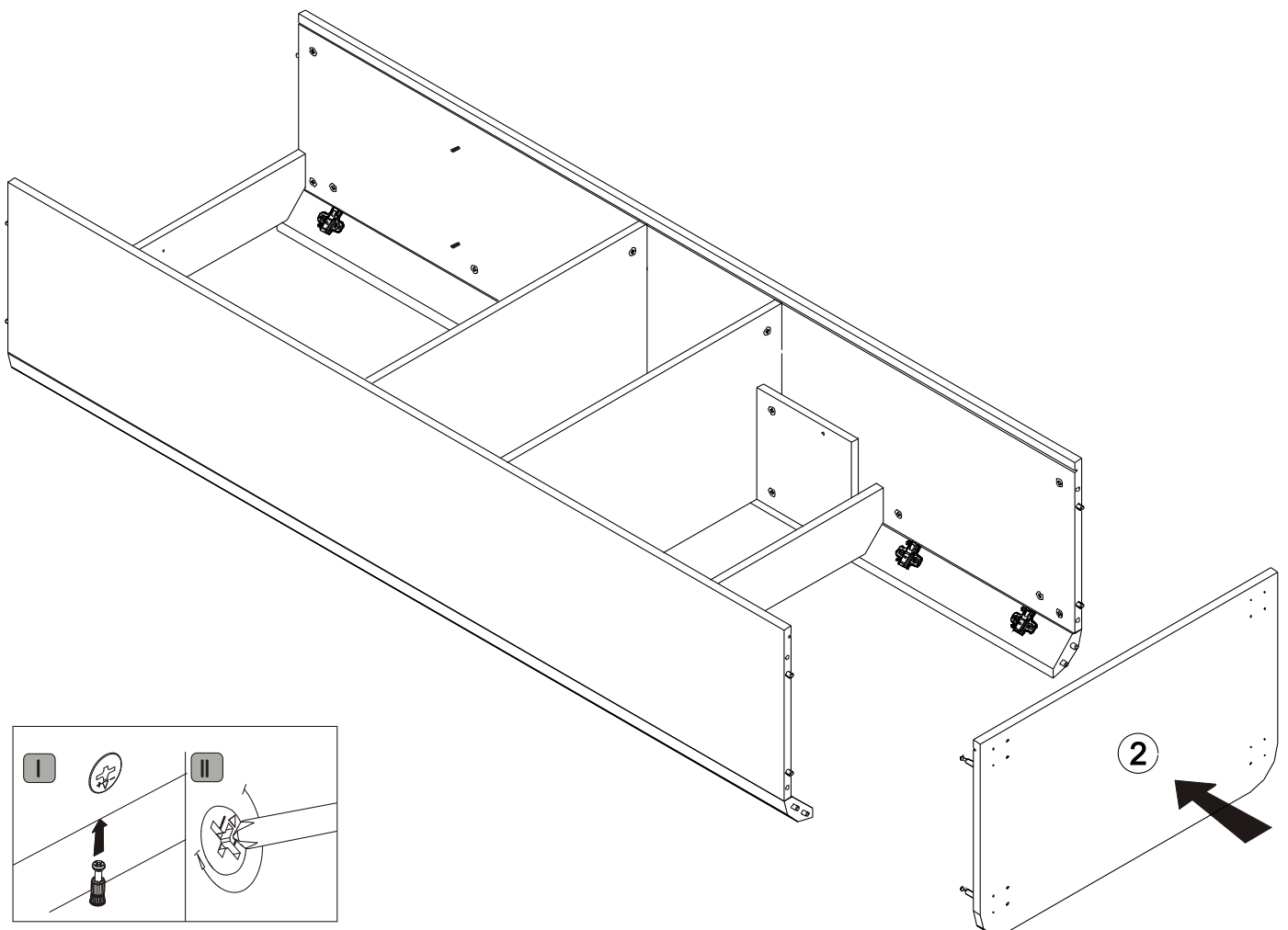
# 12 ▶



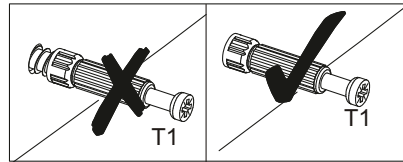
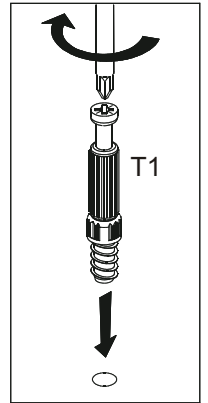
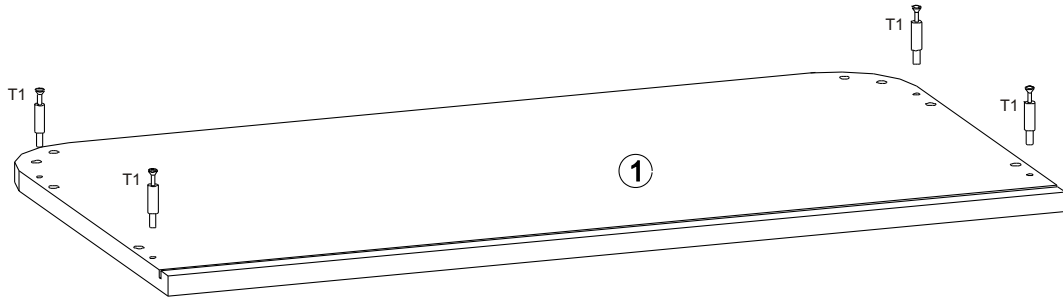
# 13▶



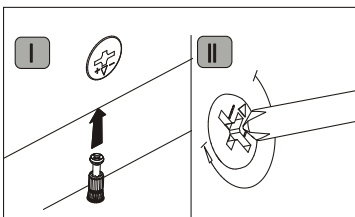
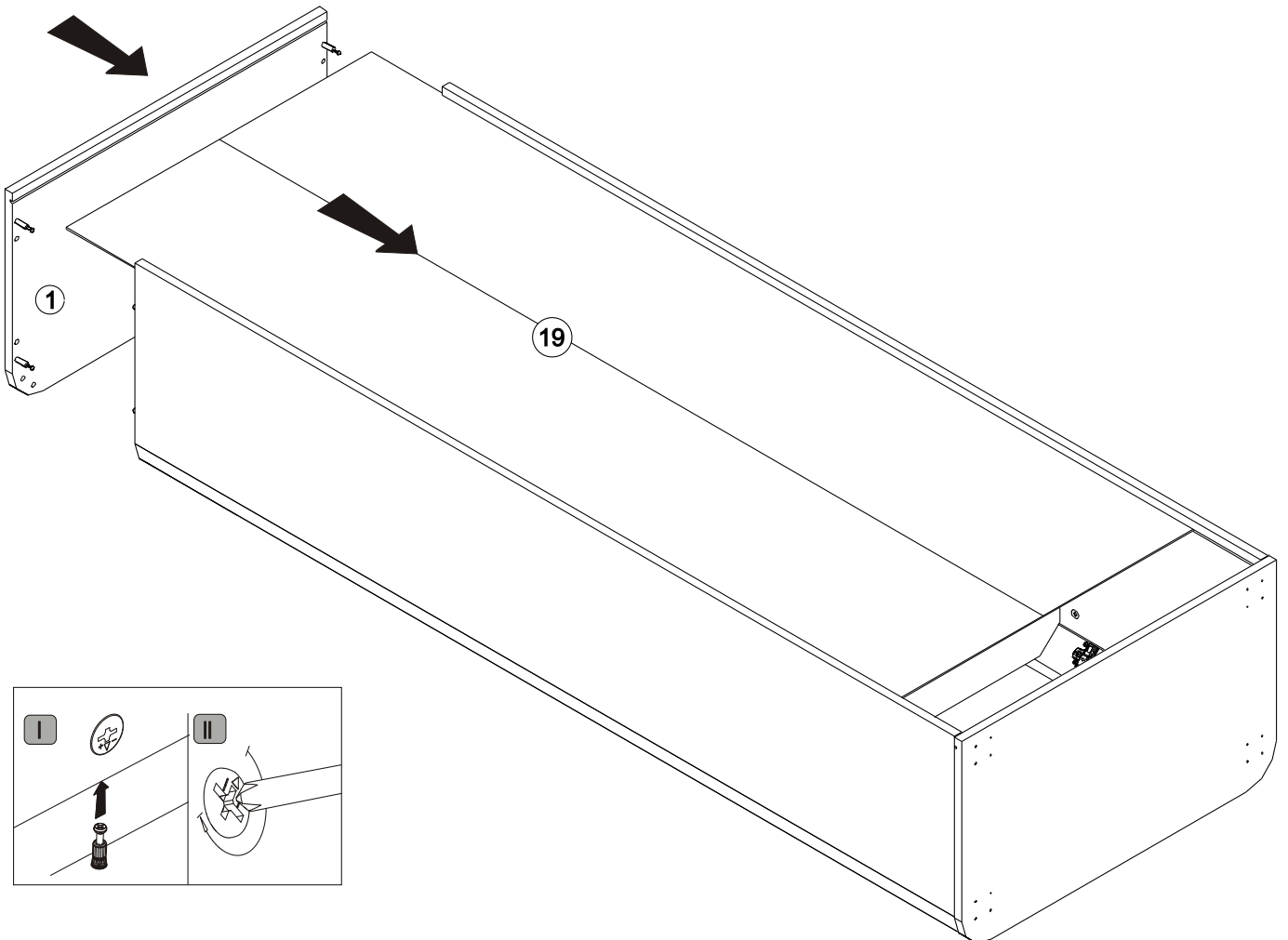
# 14▶



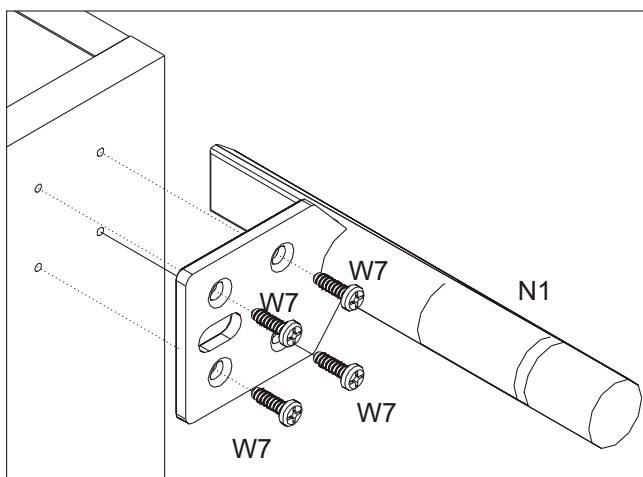
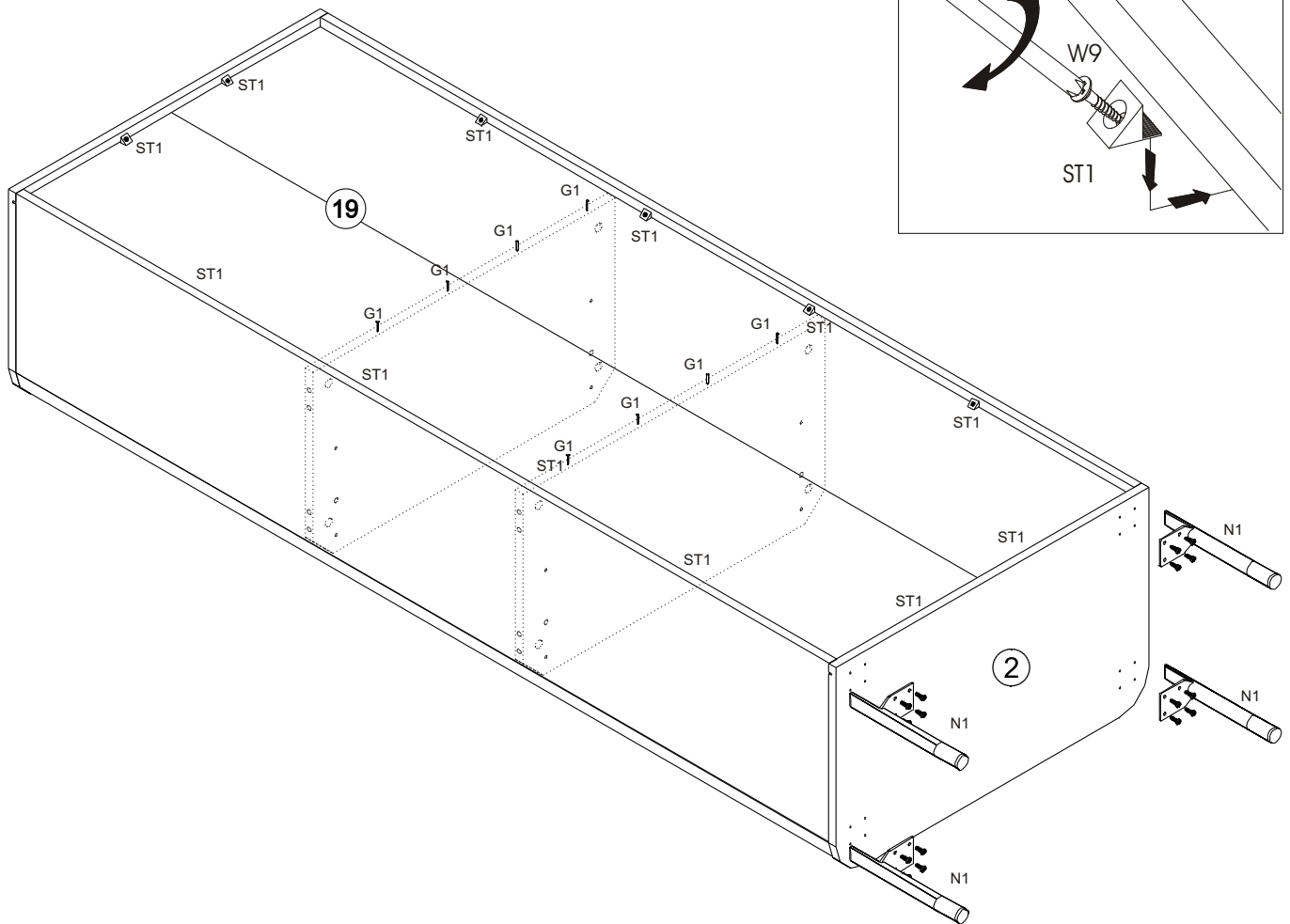
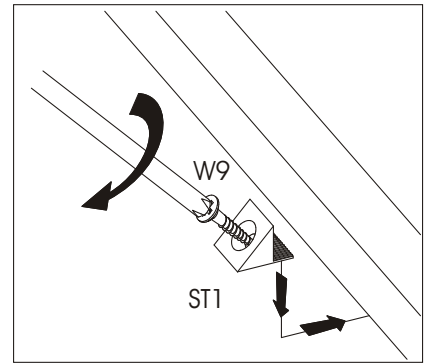
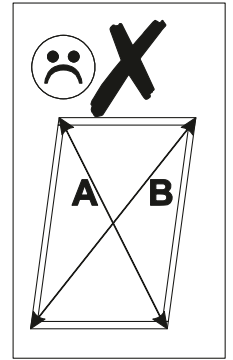
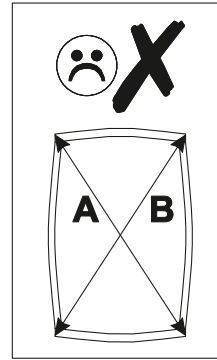
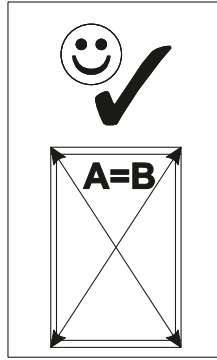
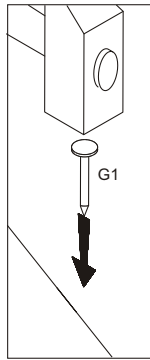
# 15 ▶



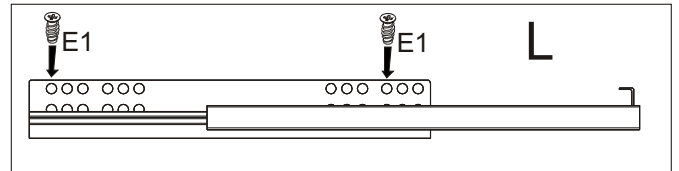
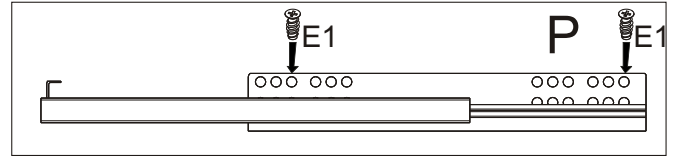
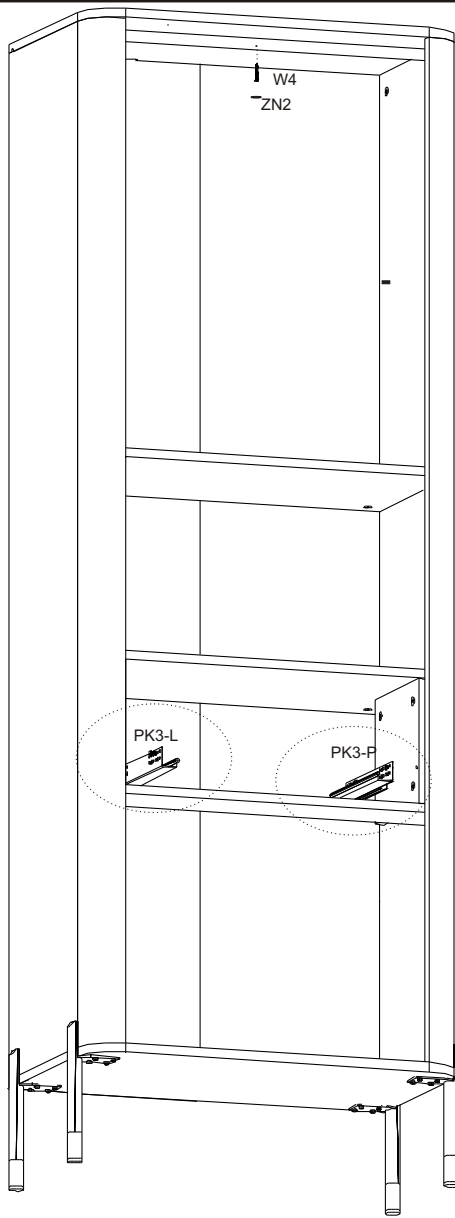
# 16 ▶



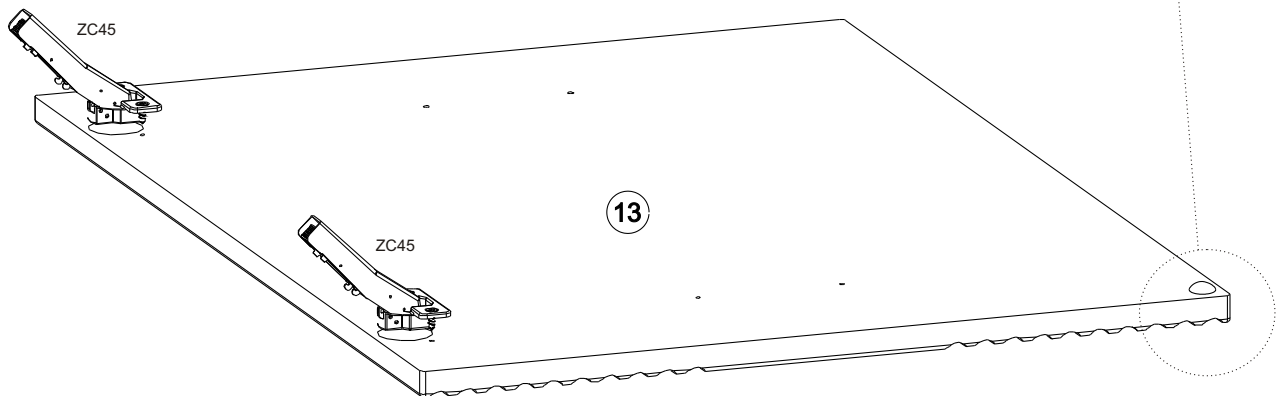
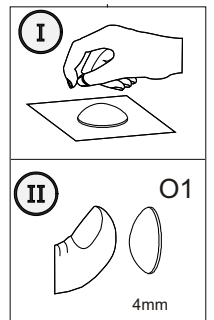
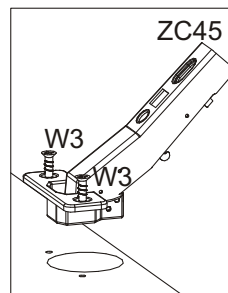
# 17 ▶



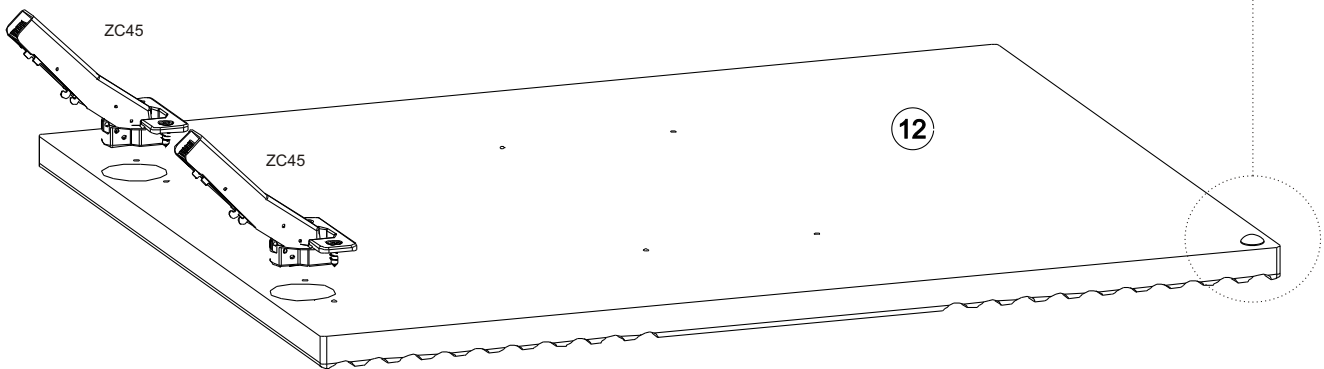
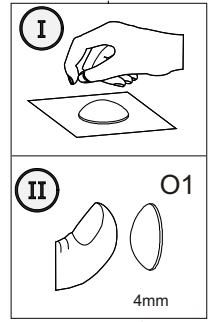
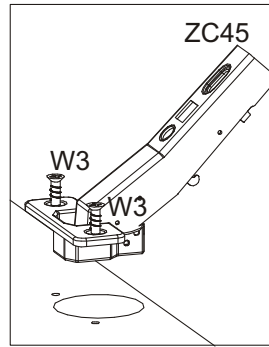
# 18 ▶



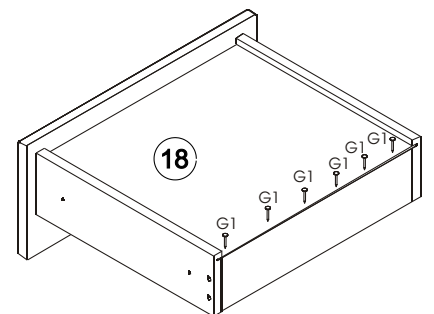
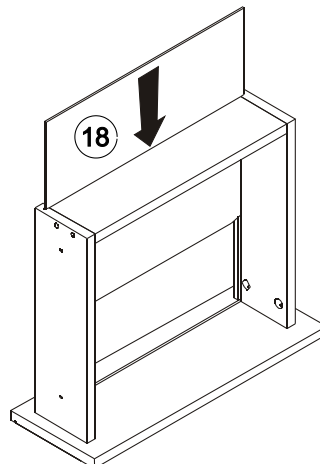
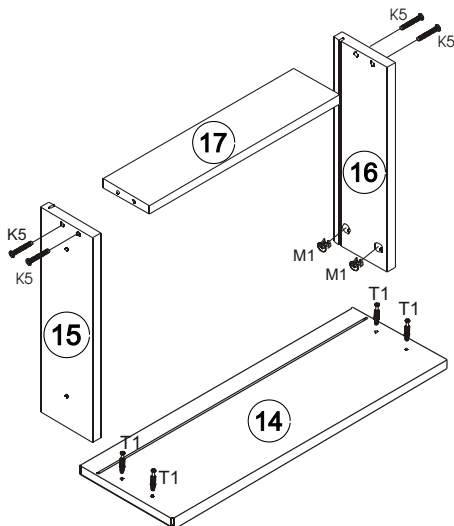
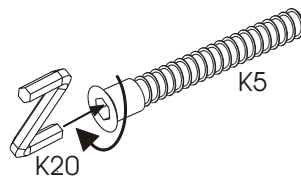
# 19 ▶



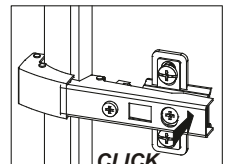
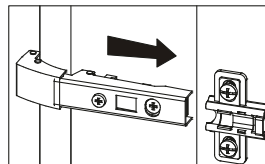
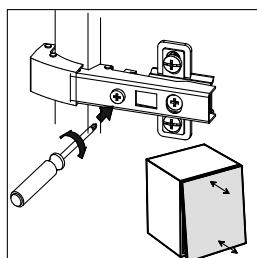
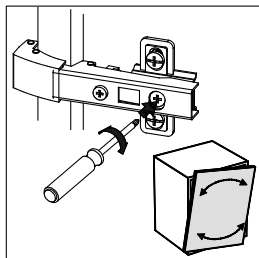
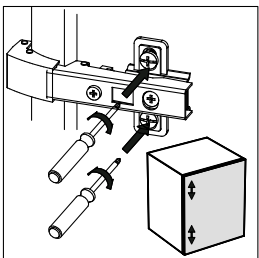
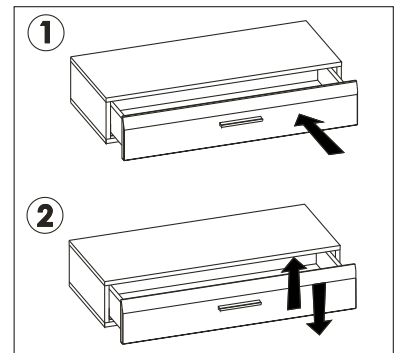
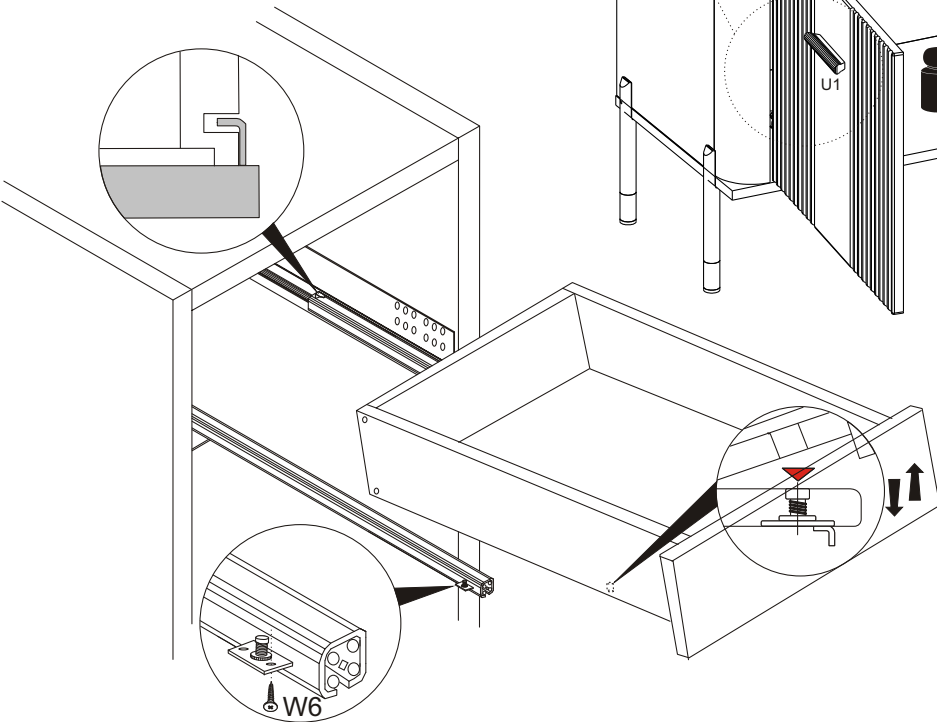
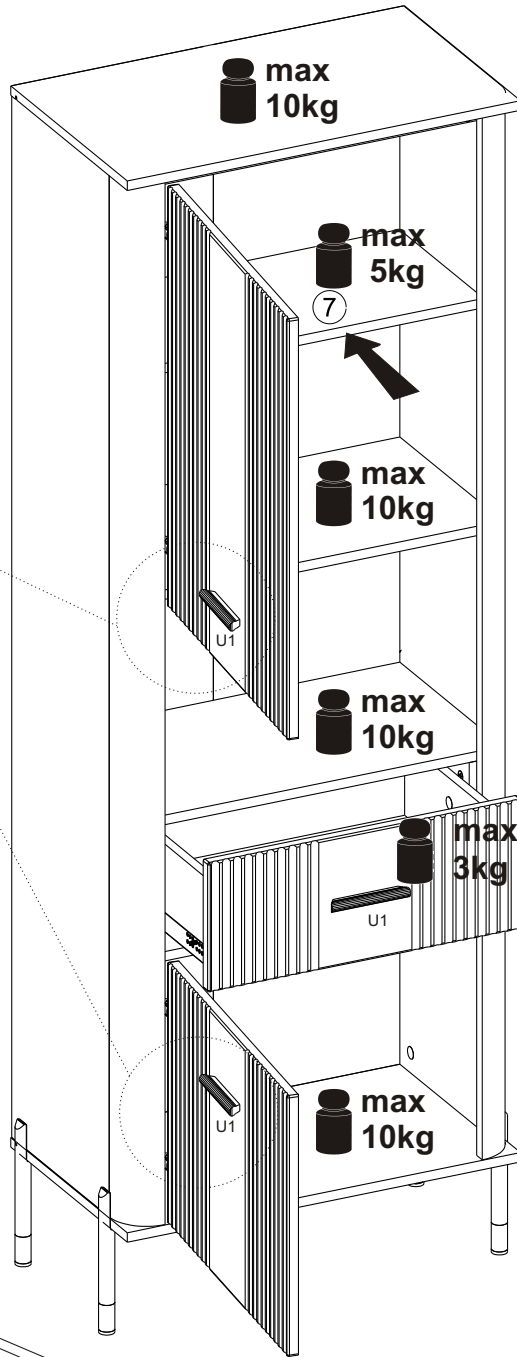
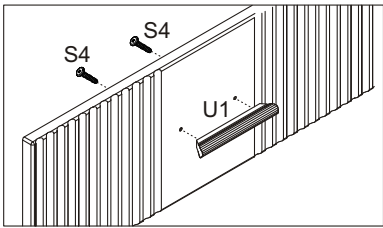
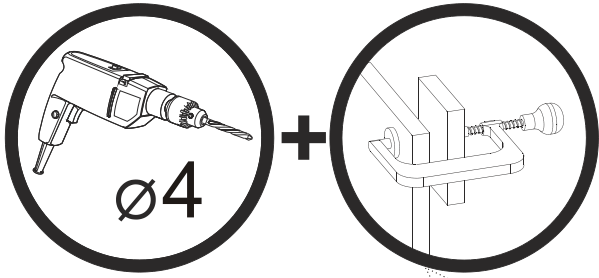
# 20 ▶



# 21 ▶



# 22



24 ▶

