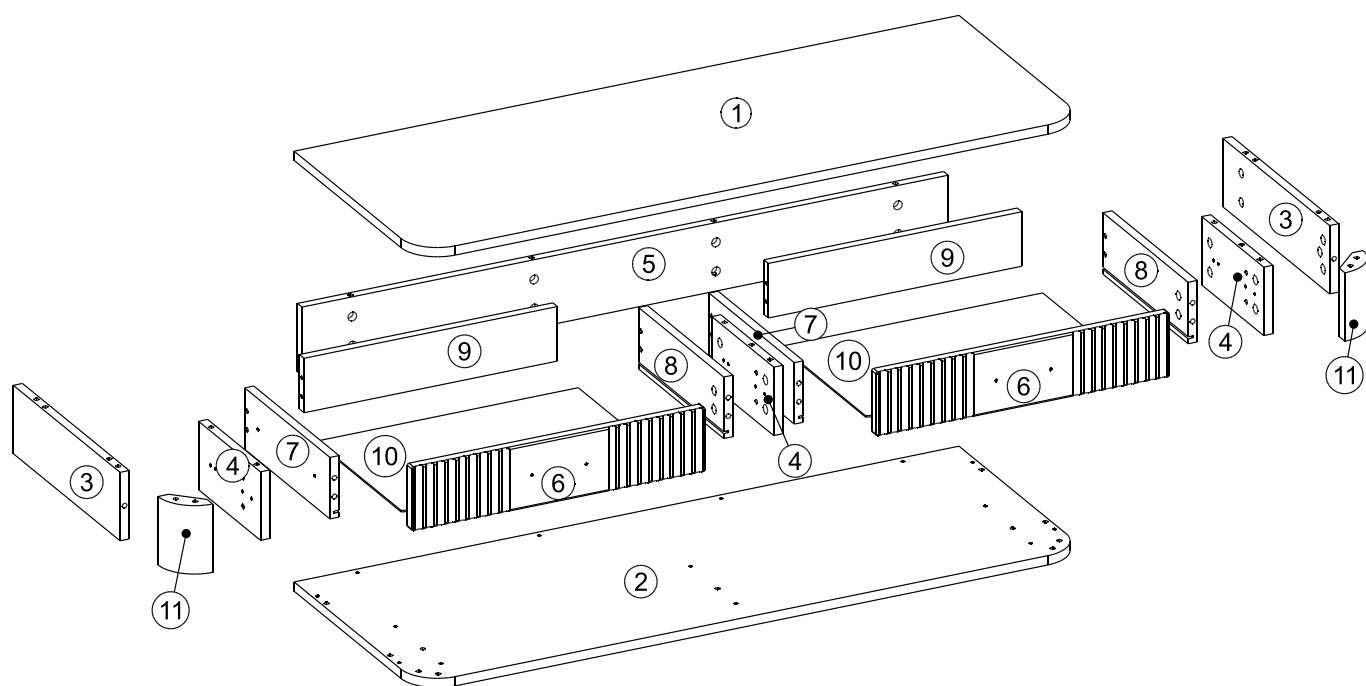
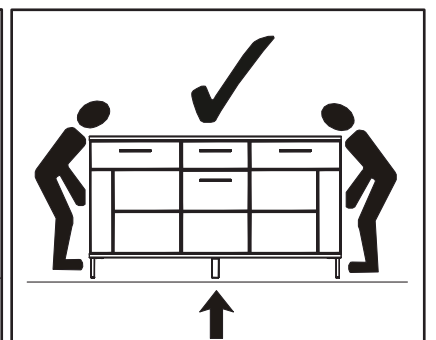
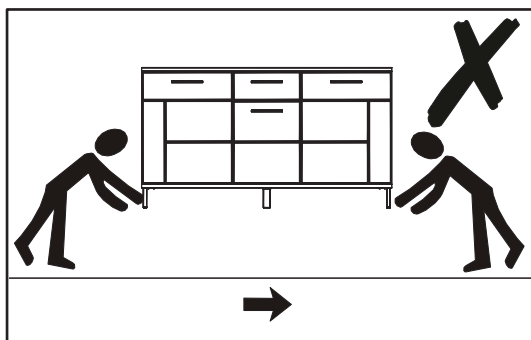
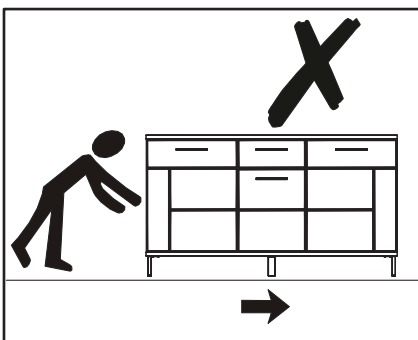
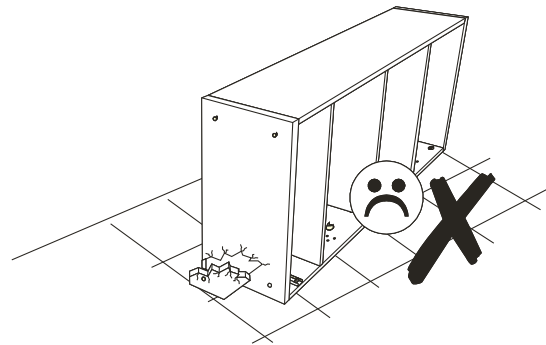
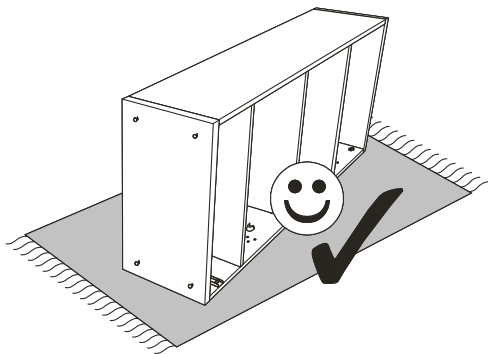
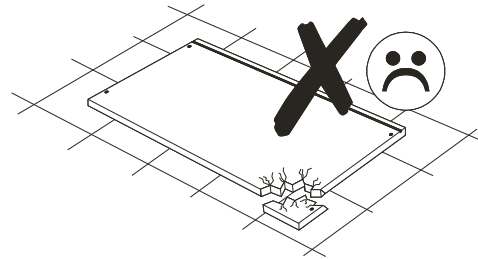
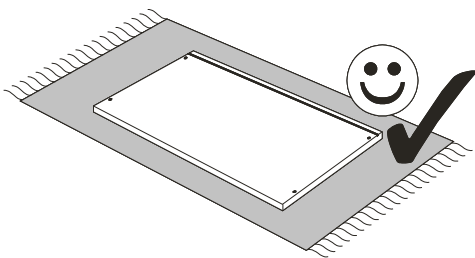
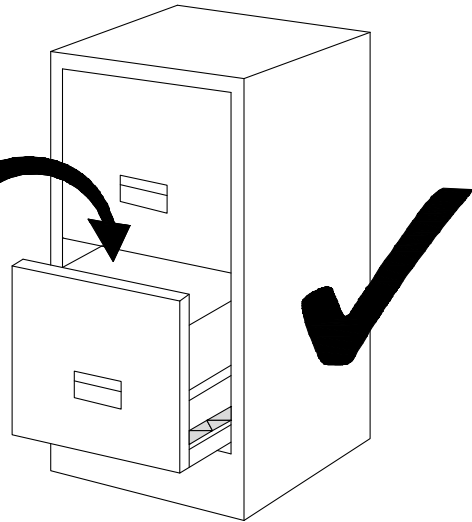
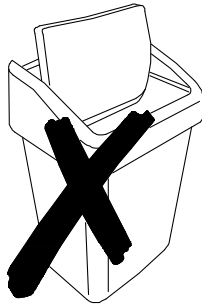
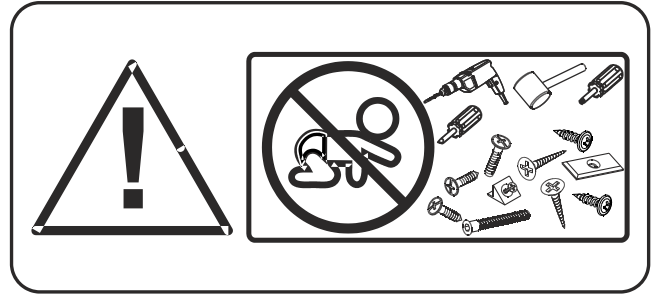
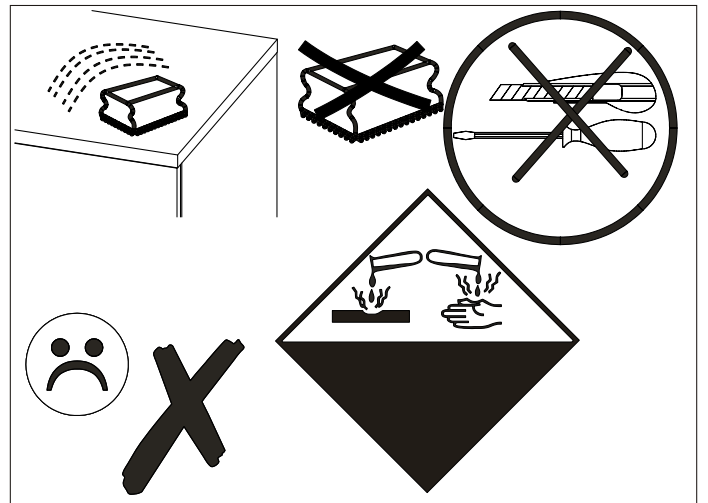
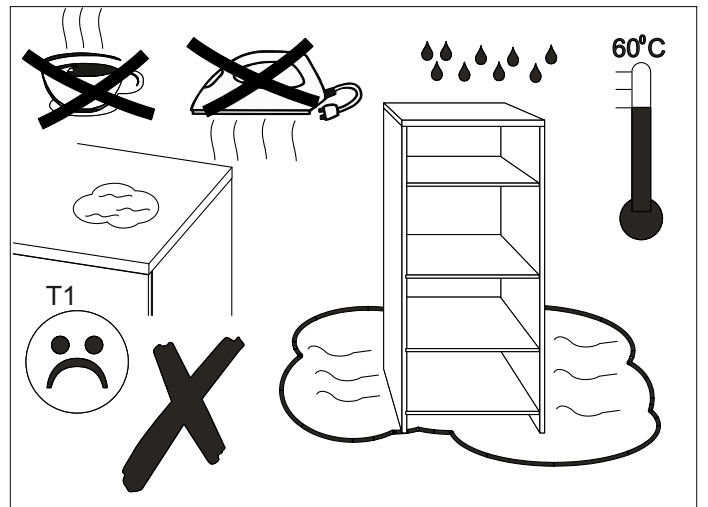
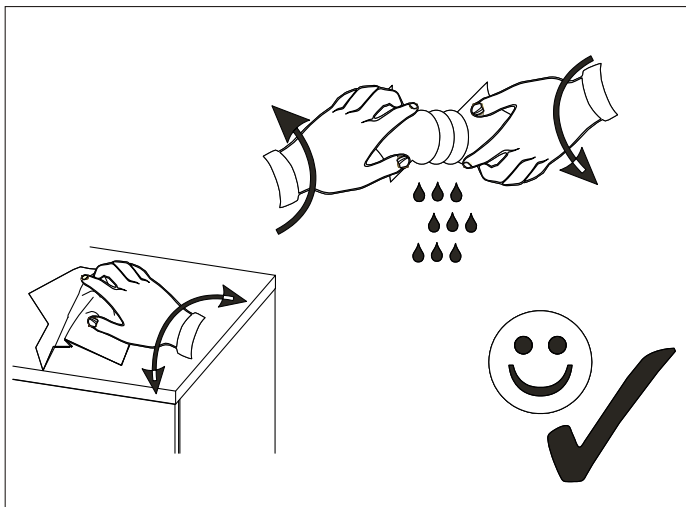
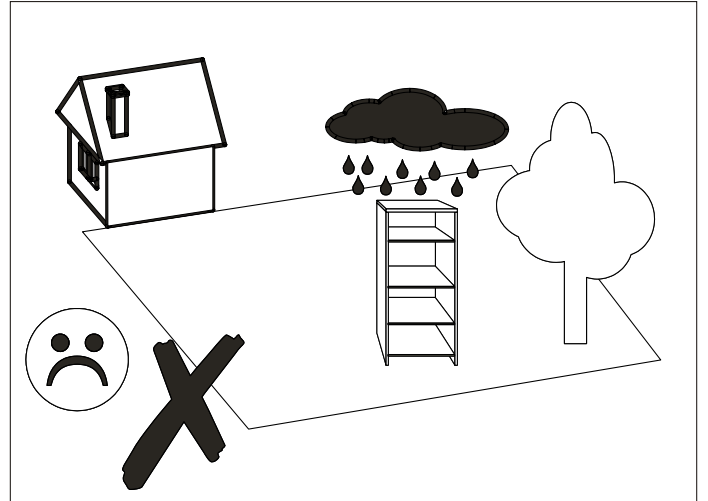
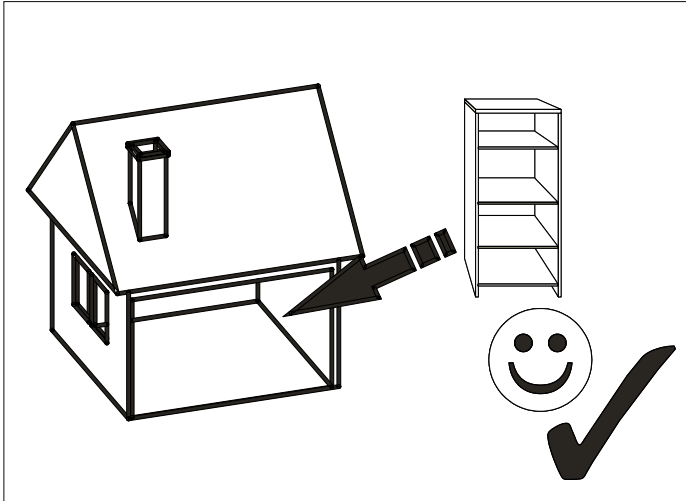


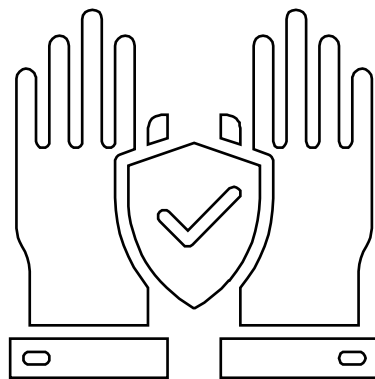
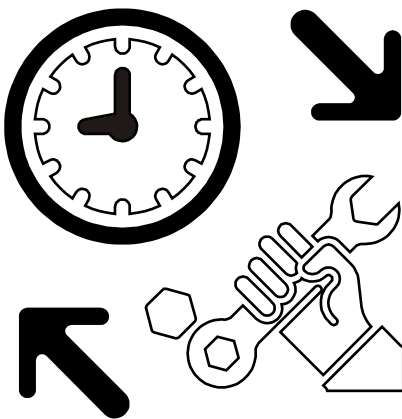
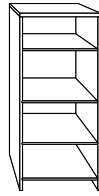
	2x								
2kpl #300	PK3		N1	8x #20/863	ZN1	4x M4x24	S4		
8x 6.4x50	K5	22x 8x30	K1	2x	U 1	1x	K20	38x #15/15	M1
						38x	T1	20x 4,5x16	W7
								10x 2x20	G1
								16x 5x11	E1

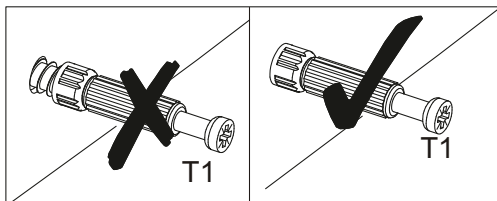
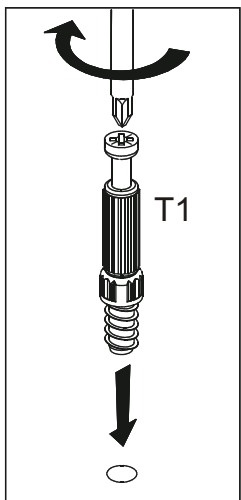
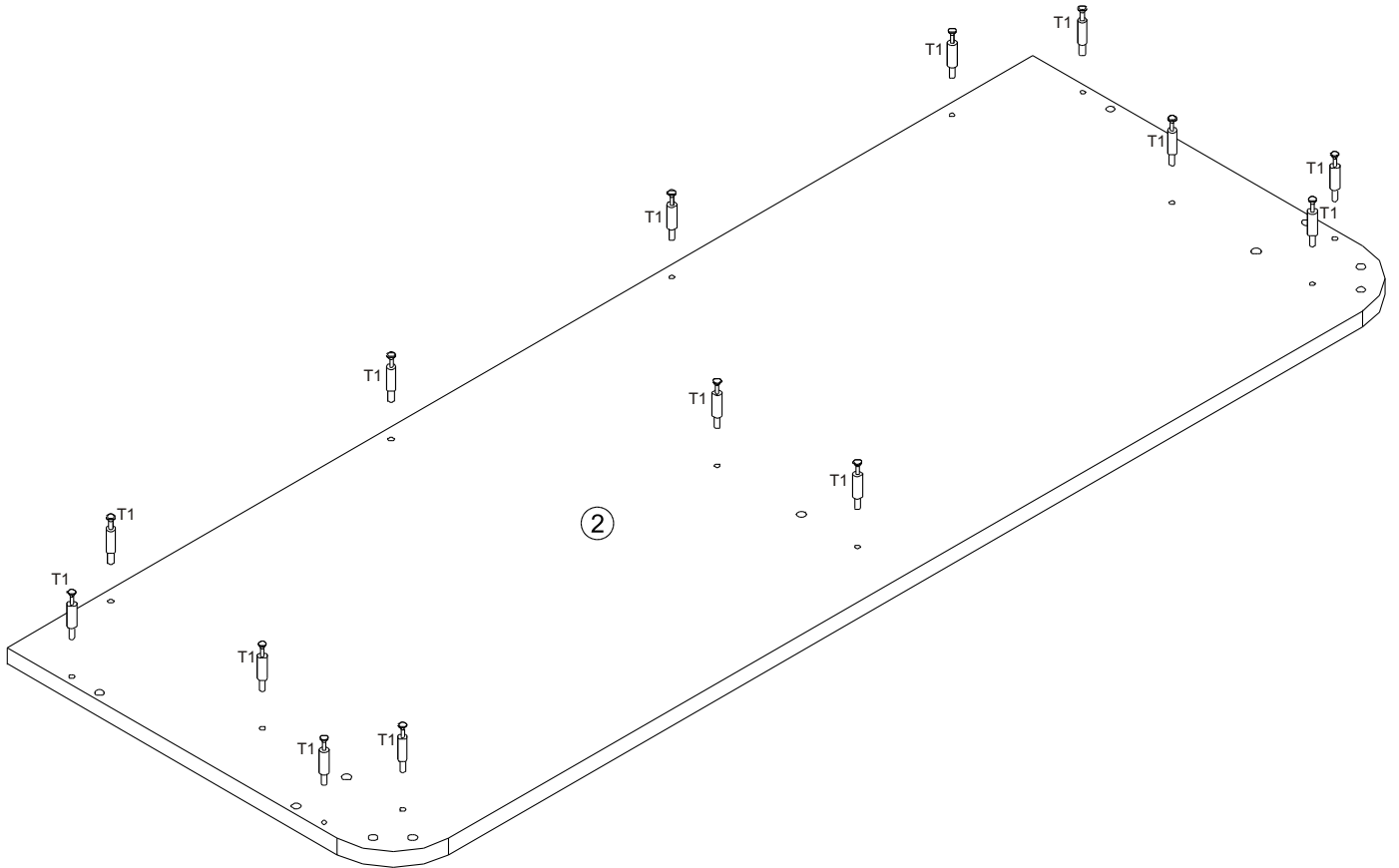


11	118x90.5	1/4
10	307x461	1/4
9	446x94	1/4
8	300x106	1/4
7	300x106	1/4
6	516x110	2/4
5	1137x118	1/4
4	118x218	1/4
3	118x375.5	1/4
2	1170x440	1/4
1	1170x440	1/4

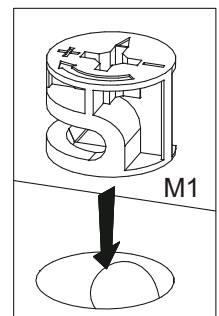
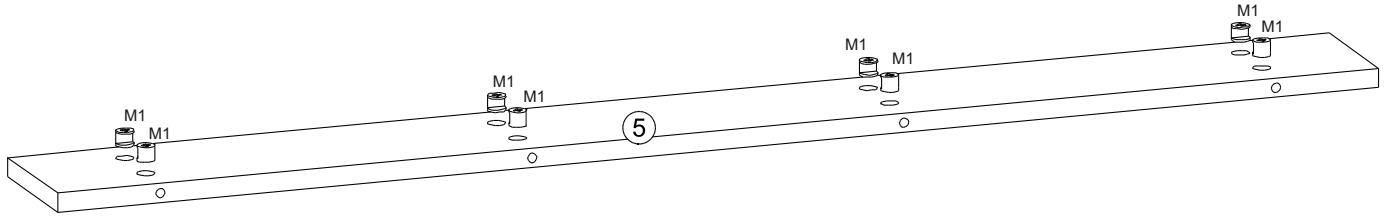




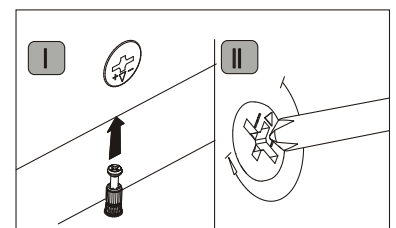
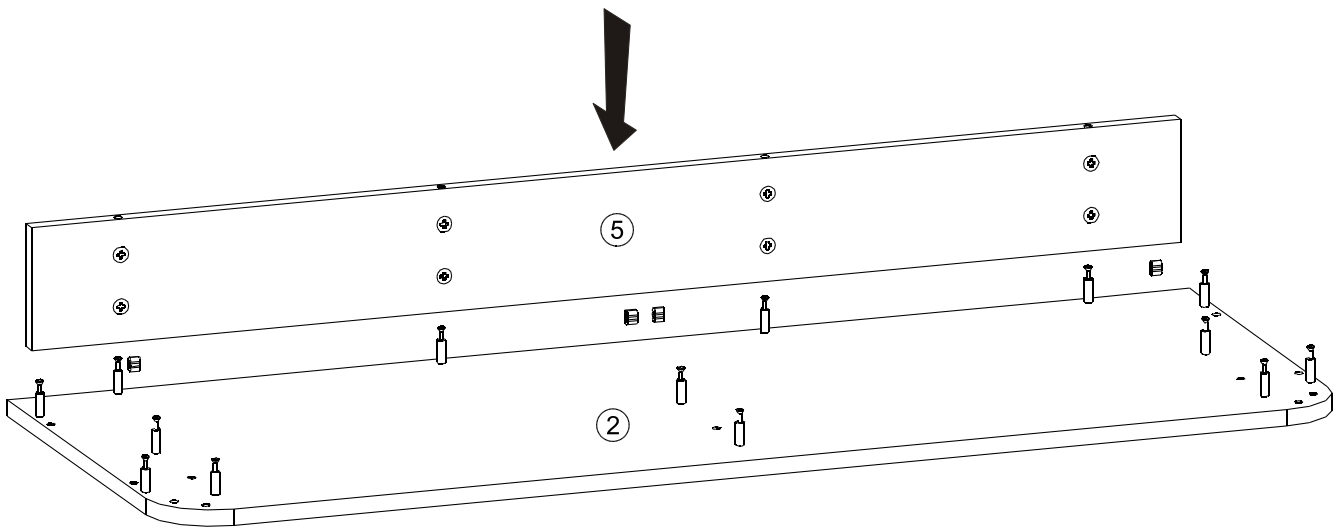




2 ▶

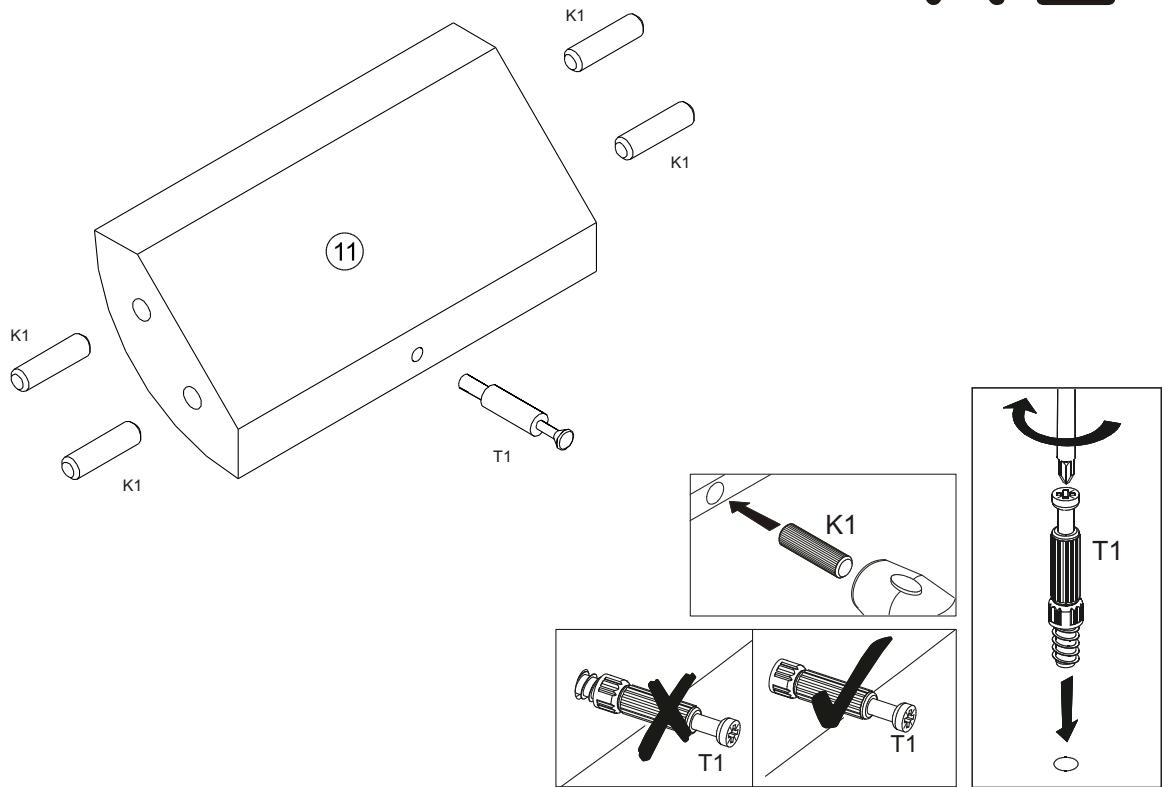


3 ▶

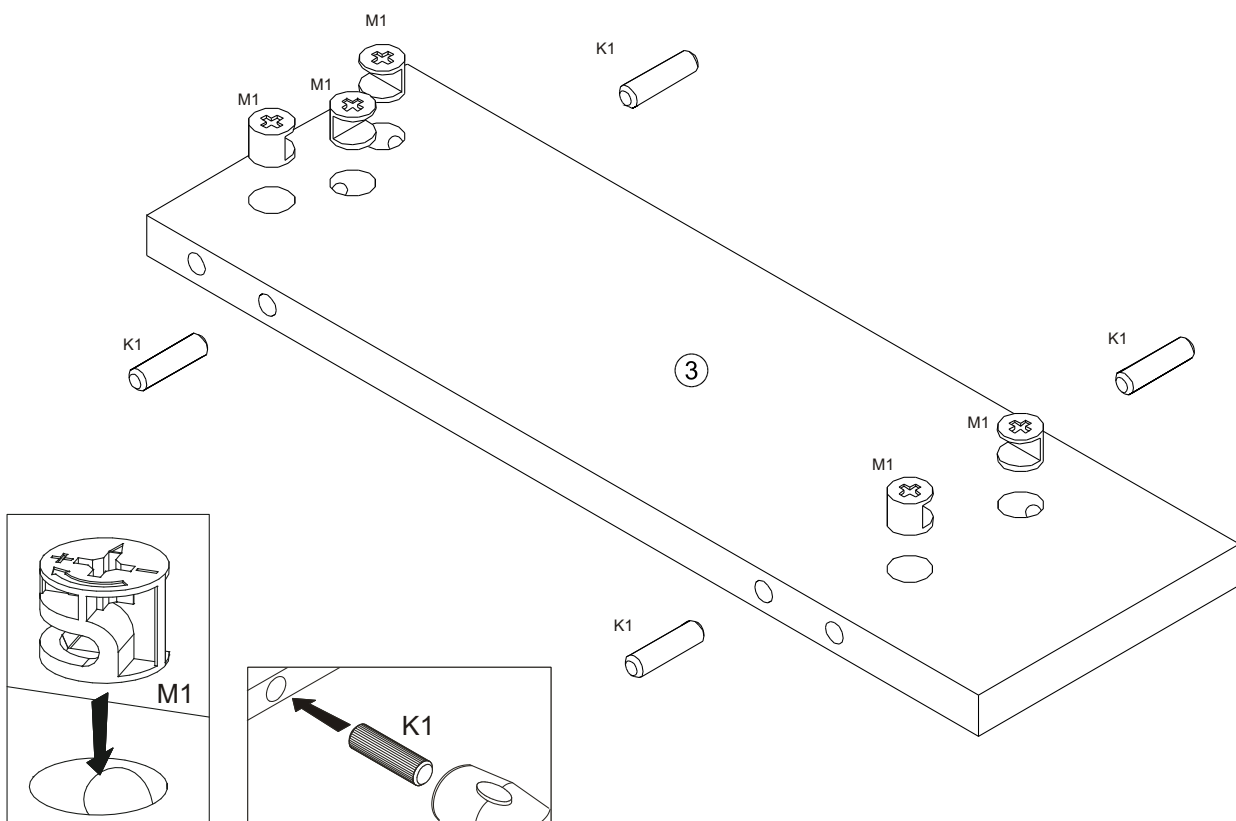


4▶

x2

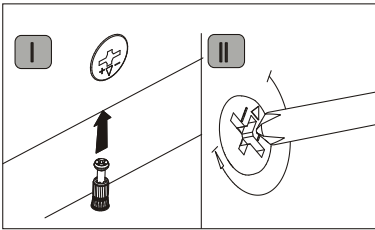
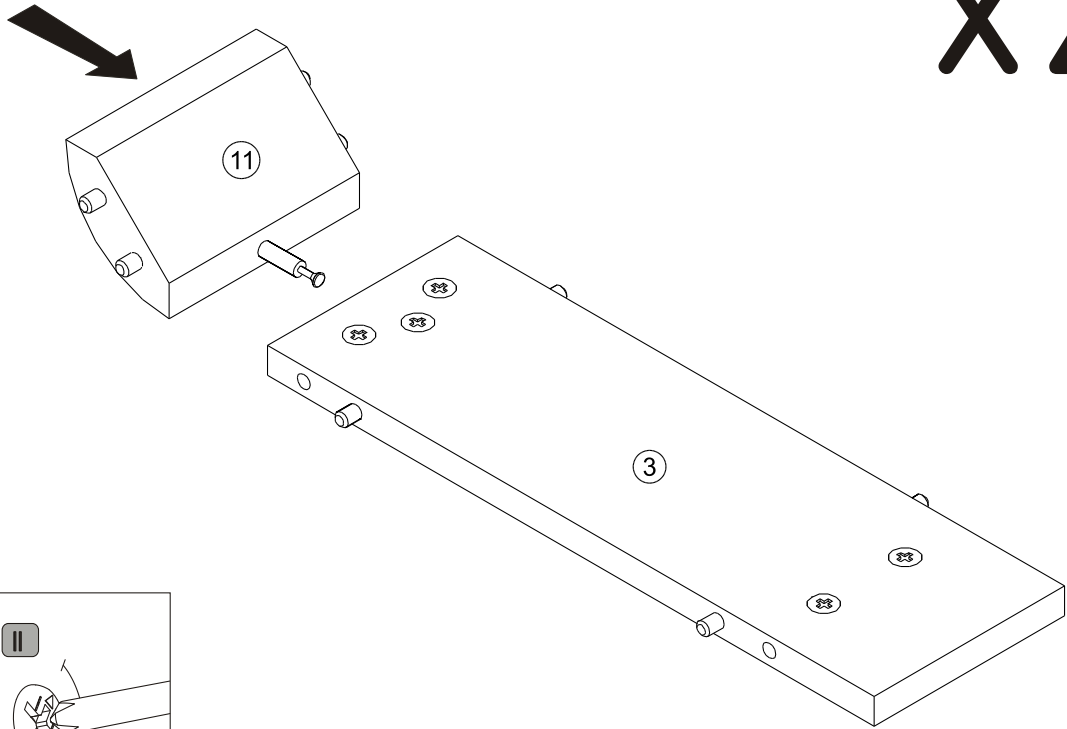


5▶

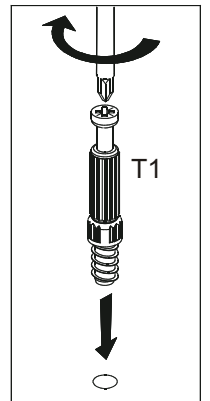
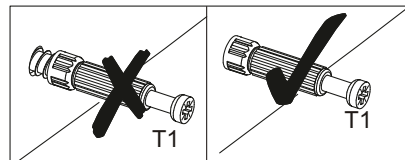
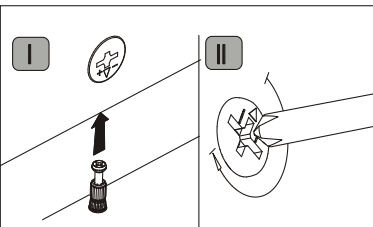
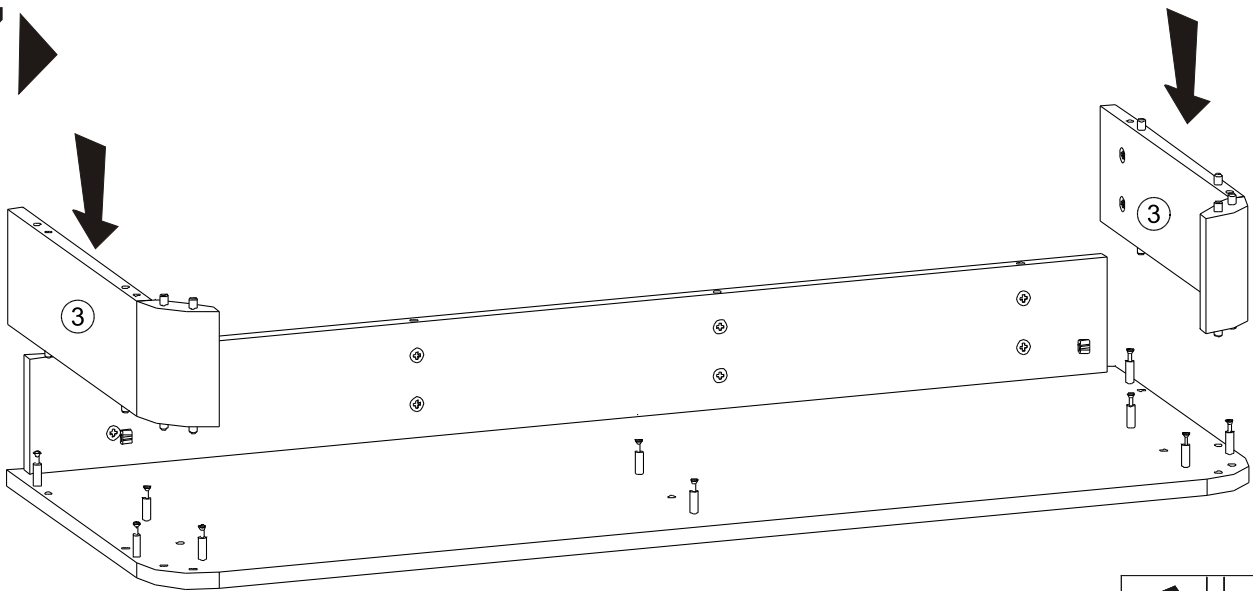


6 ▶

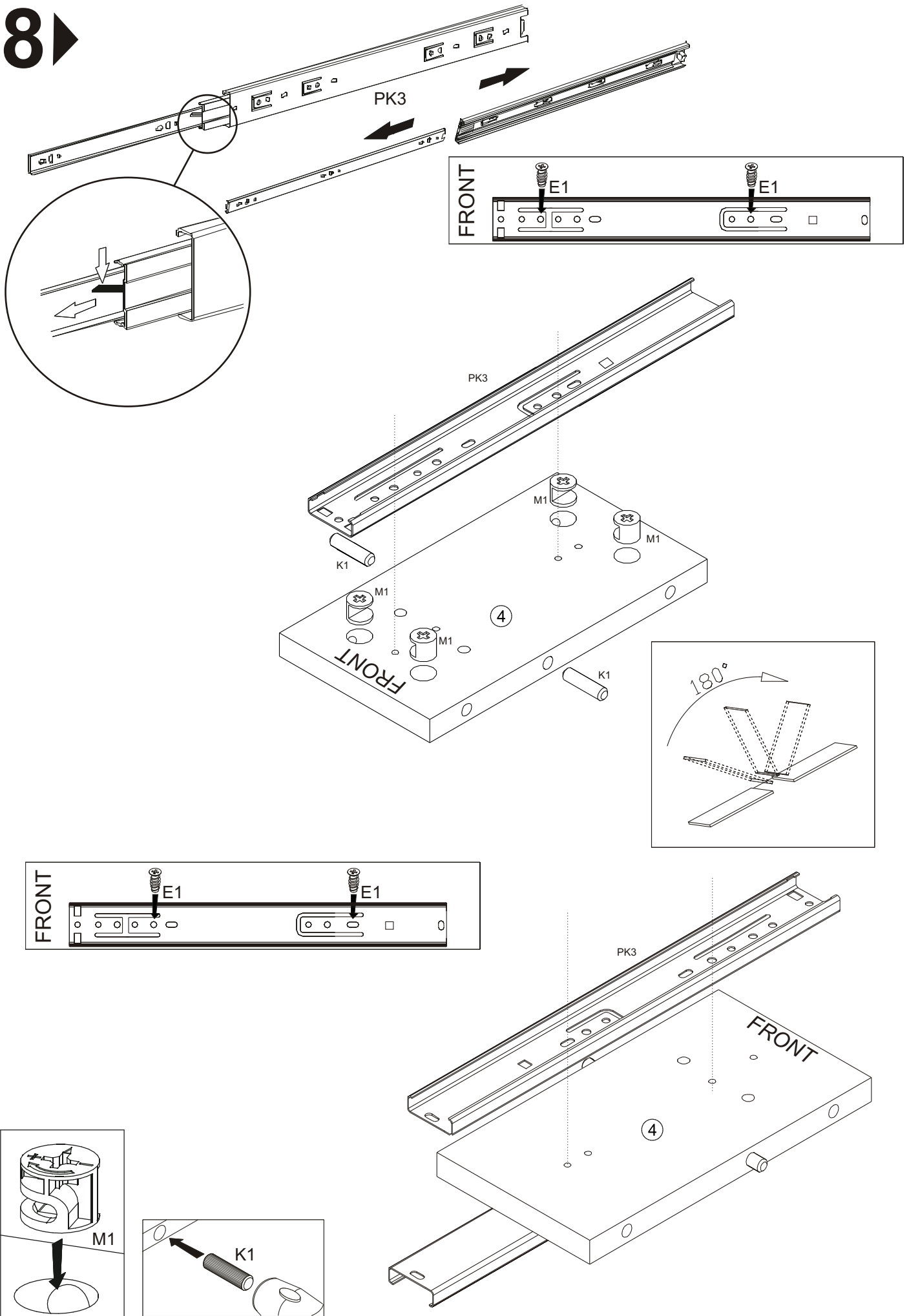
x2



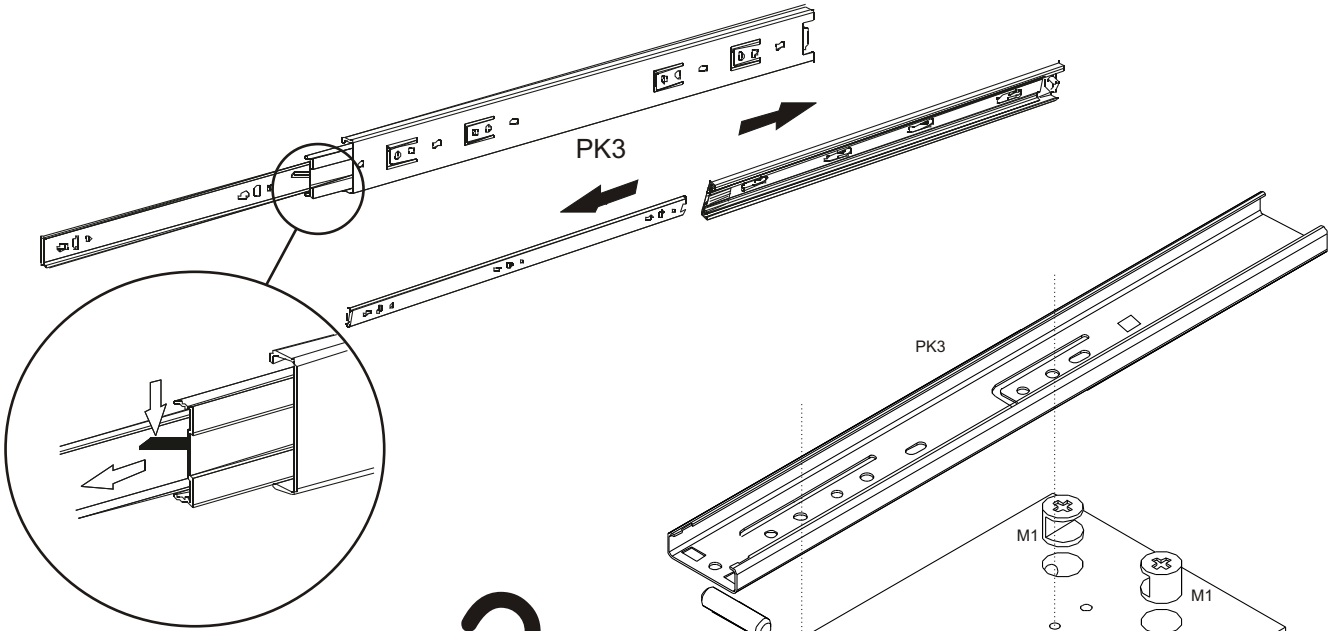
7 ▶



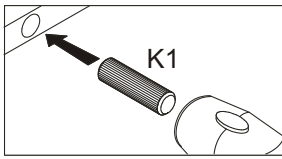
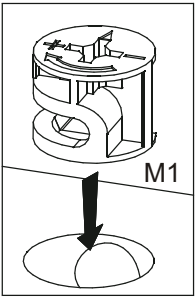
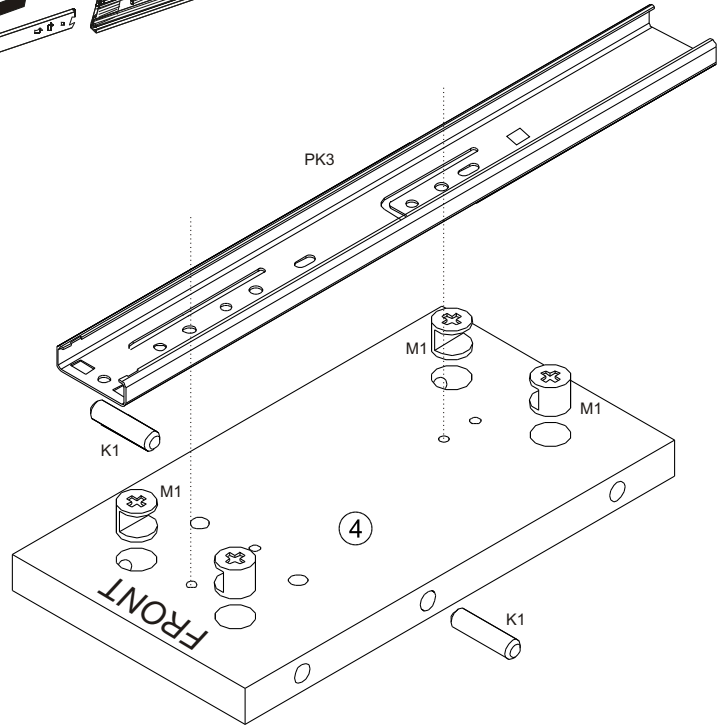
8 ▶



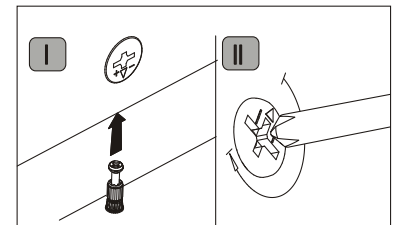
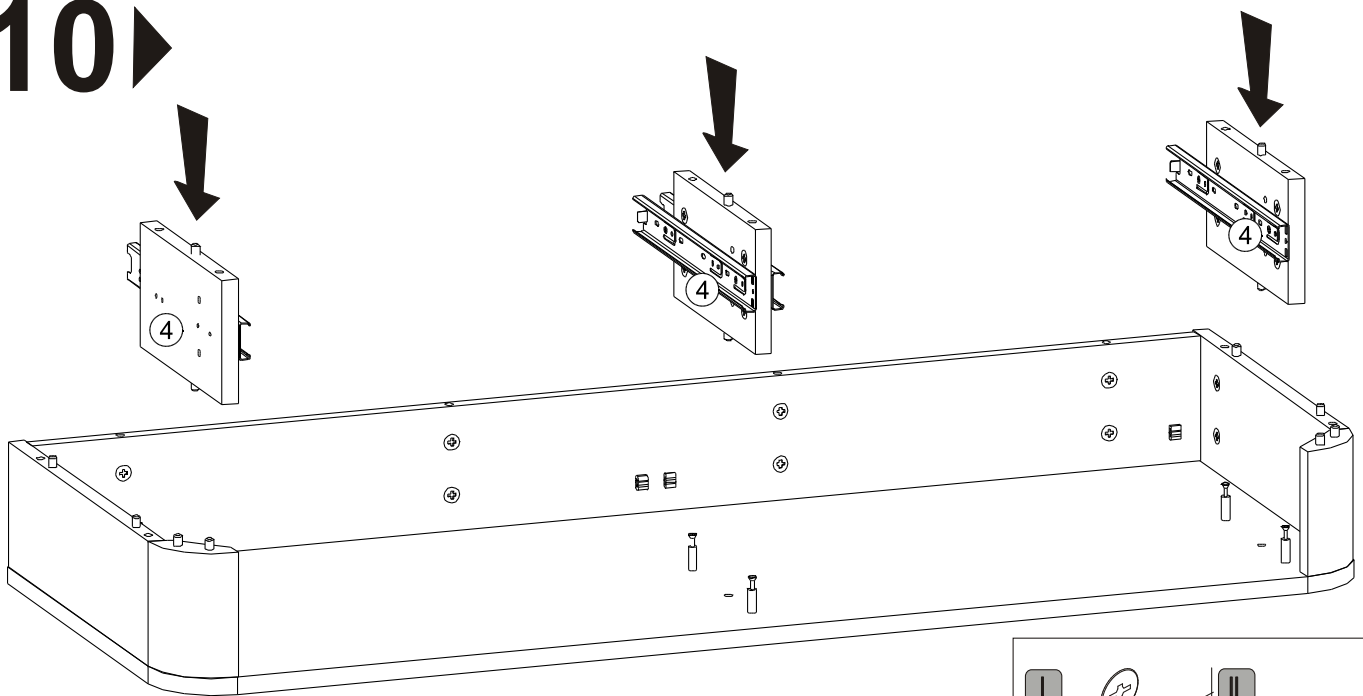
9▶



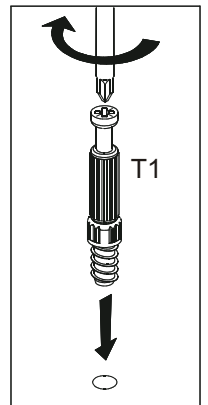
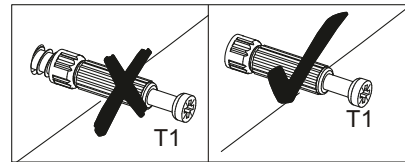
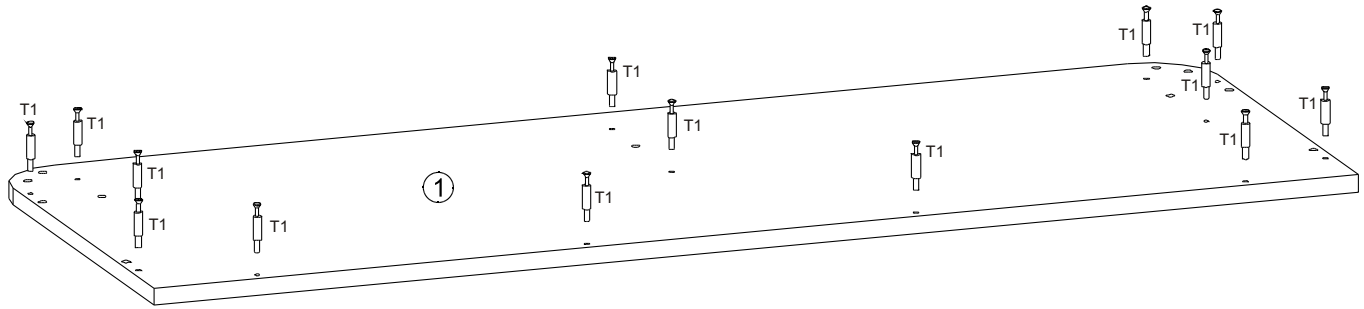
x2



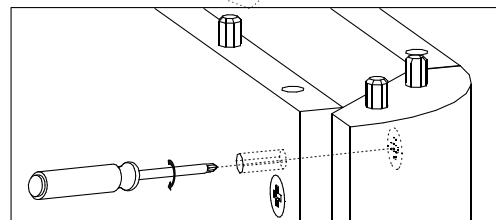
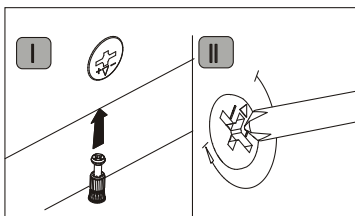
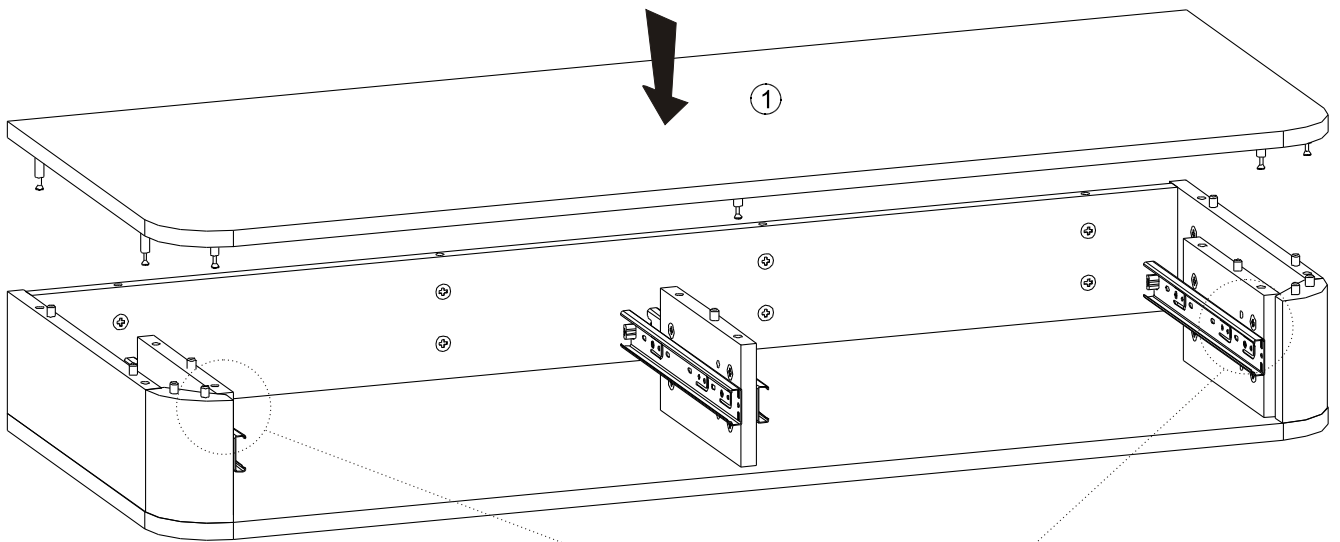
10▶



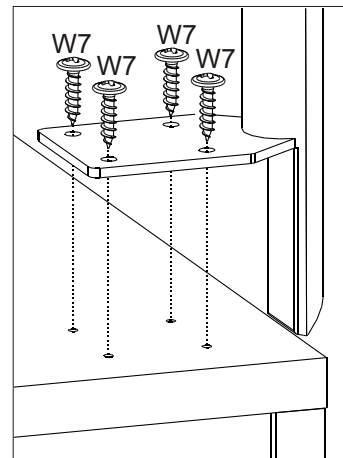
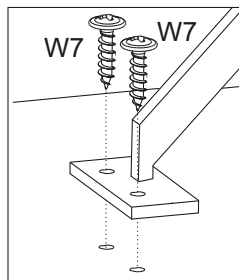
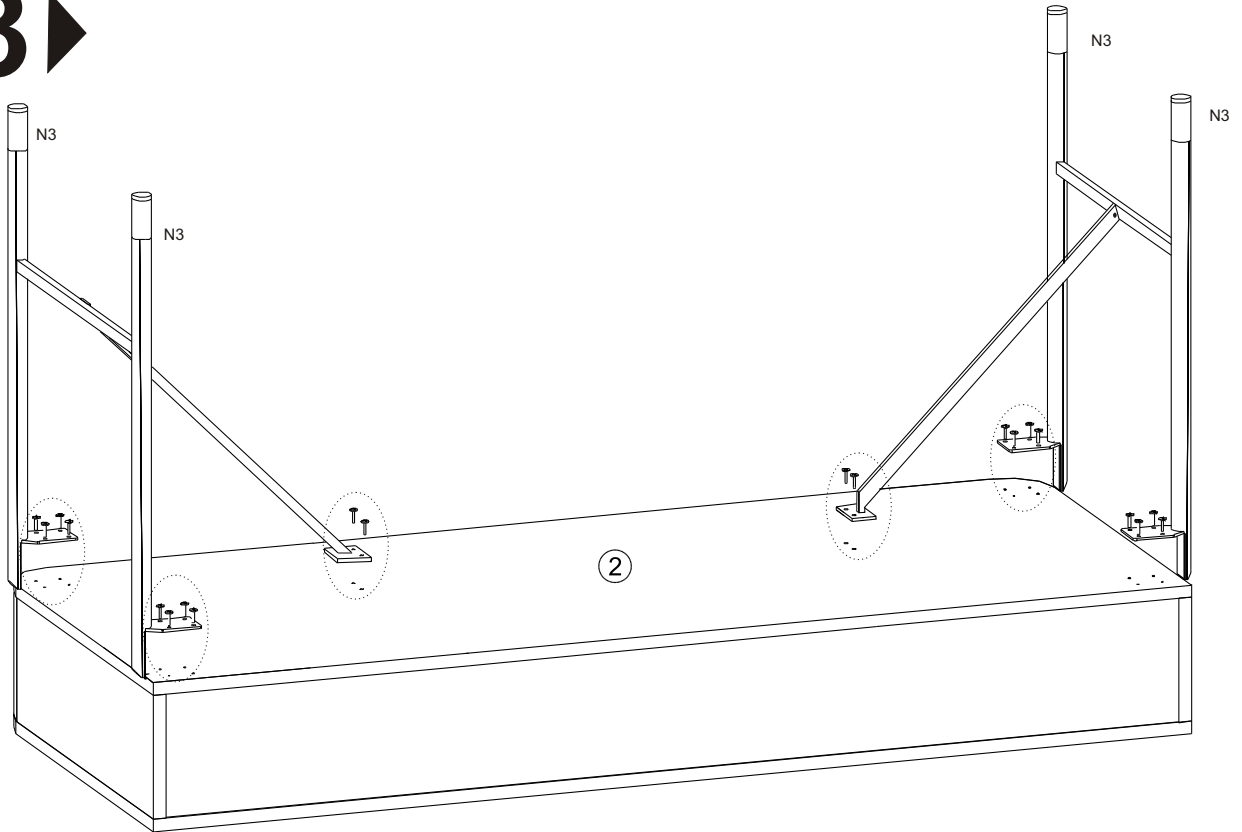
11 ▶



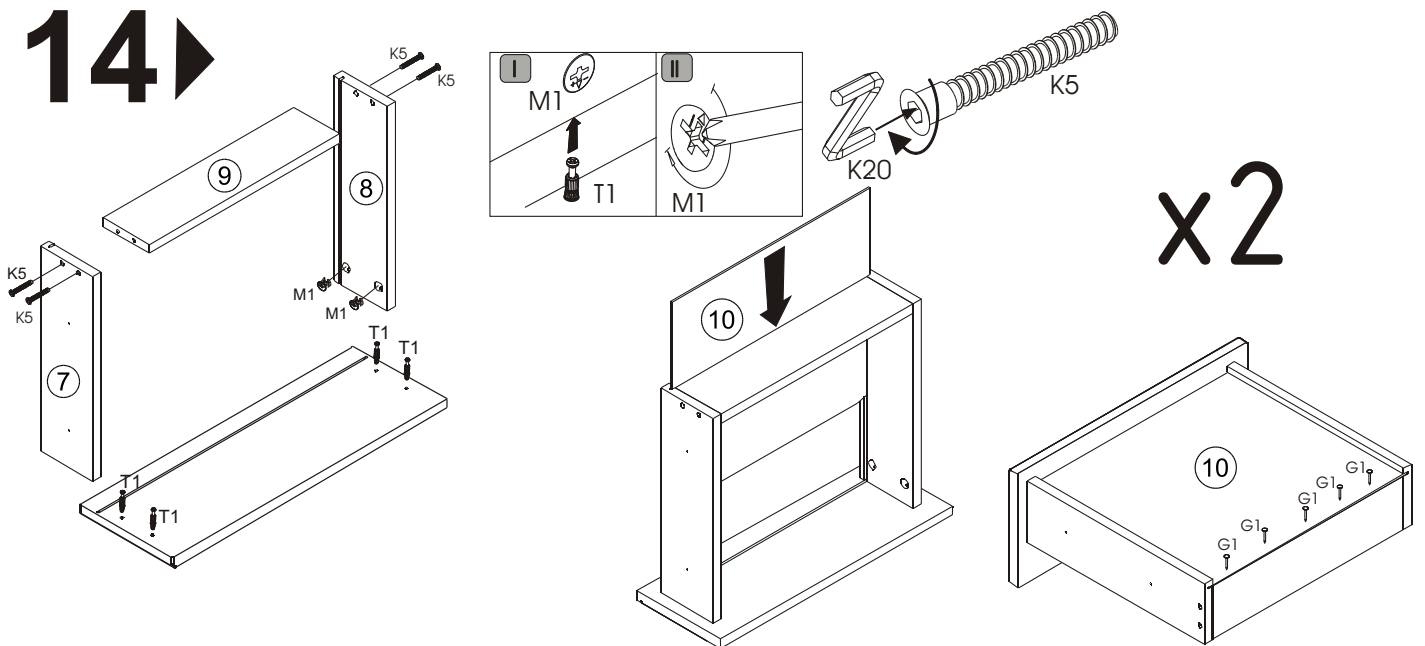
12 ▶



13 ▶



14 ▶



15▶

