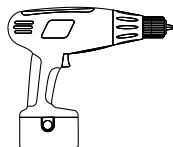
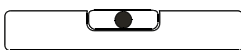
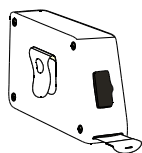
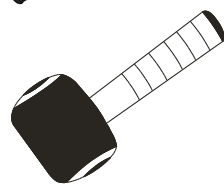
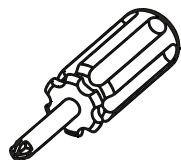
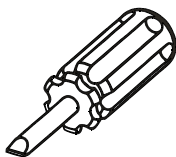
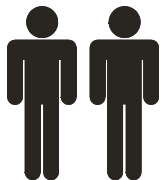


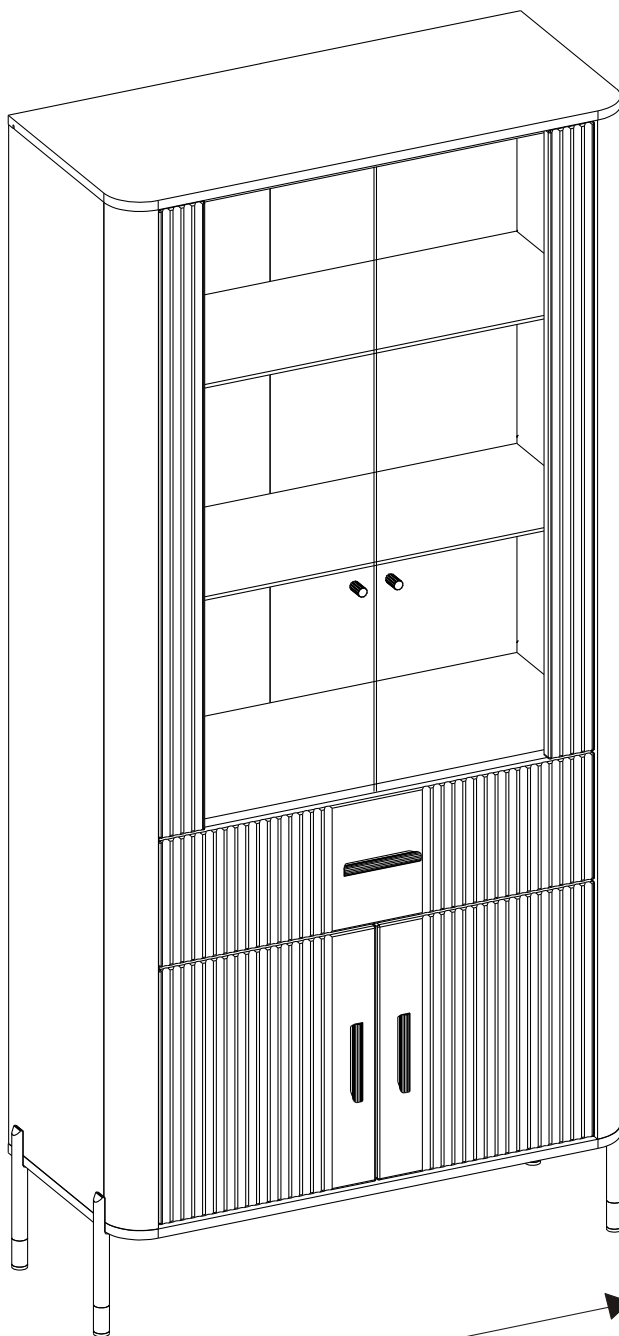
# MODELL: DT14



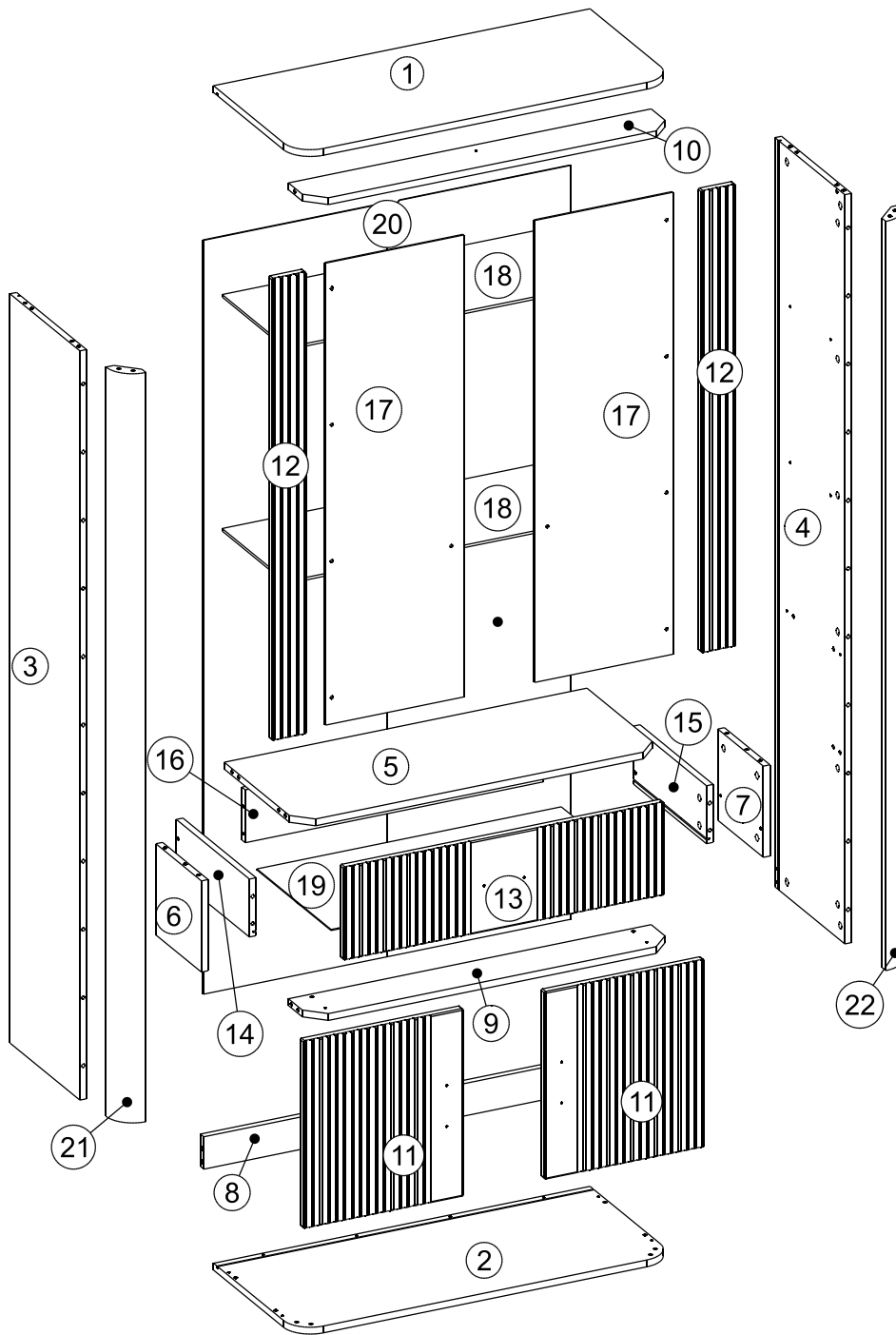
197

40

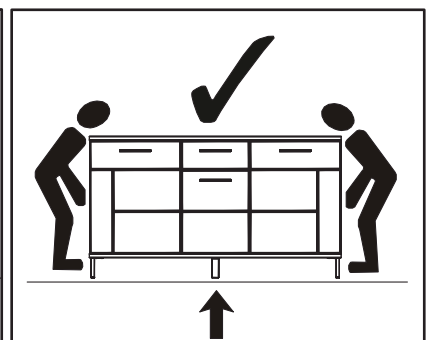
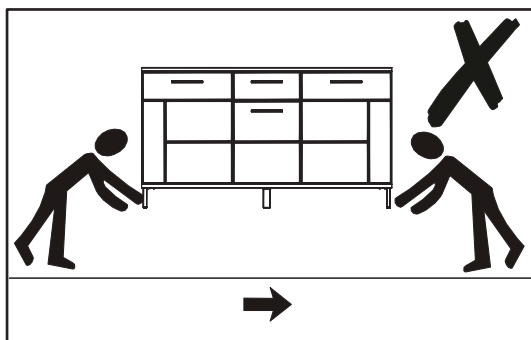
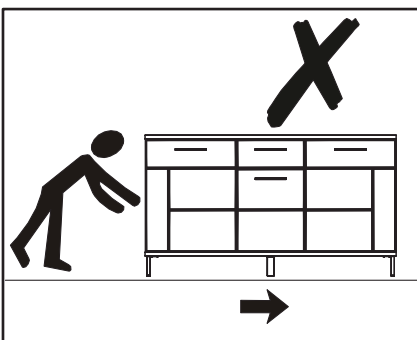
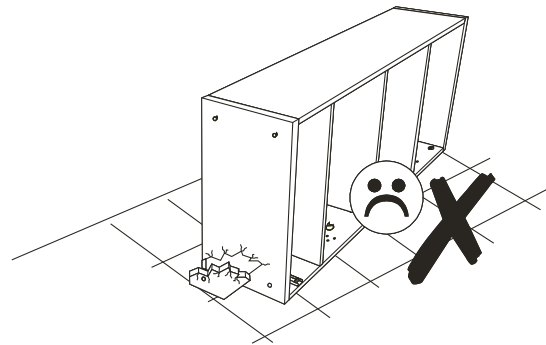
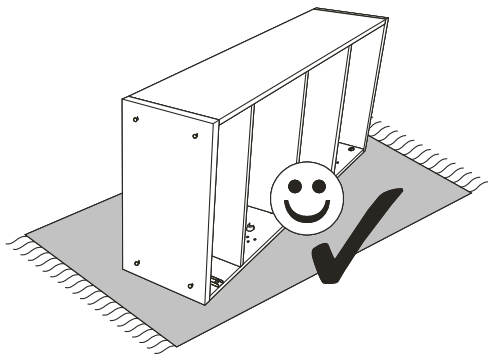
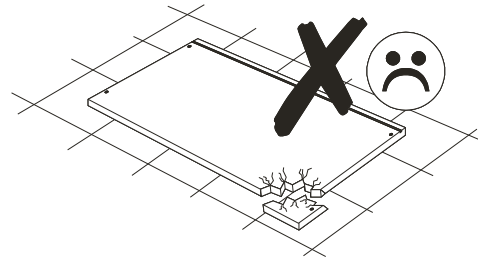
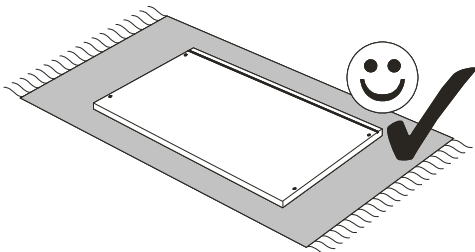
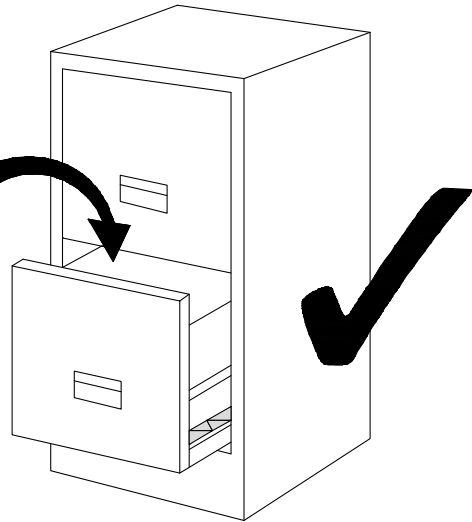
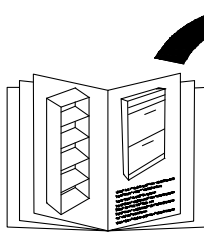
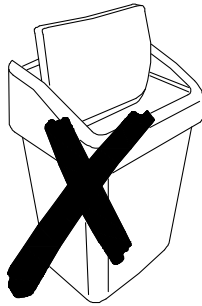
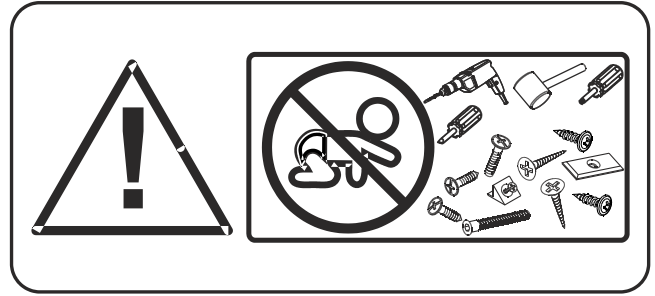
93

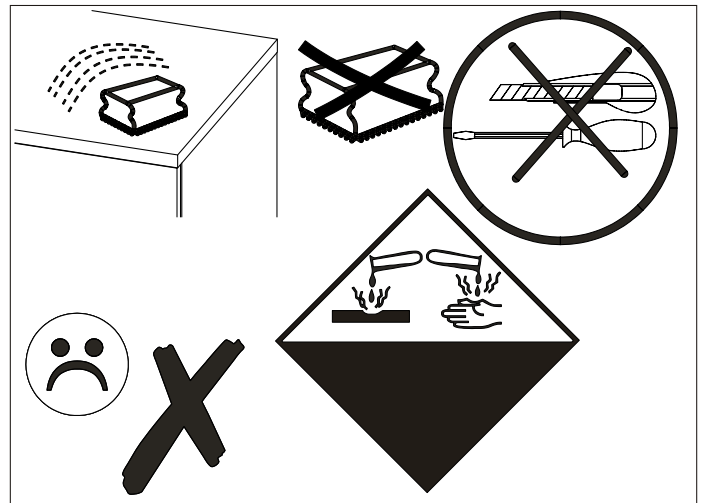
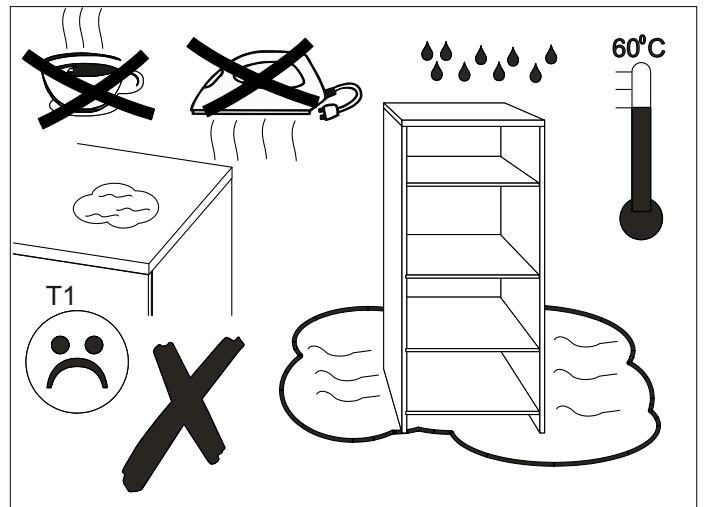
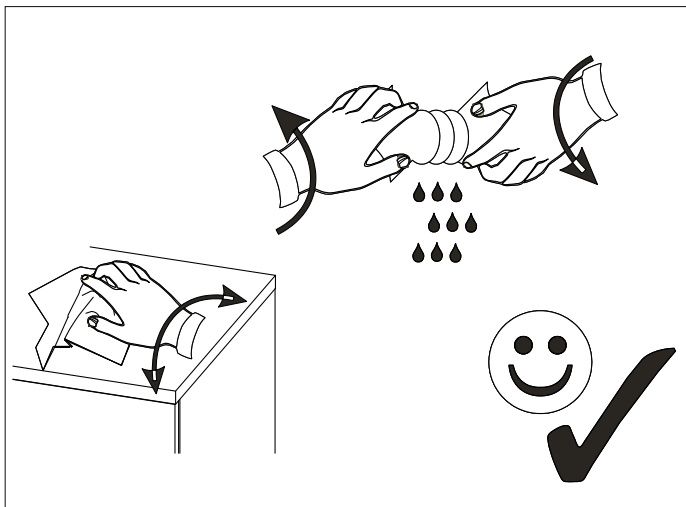
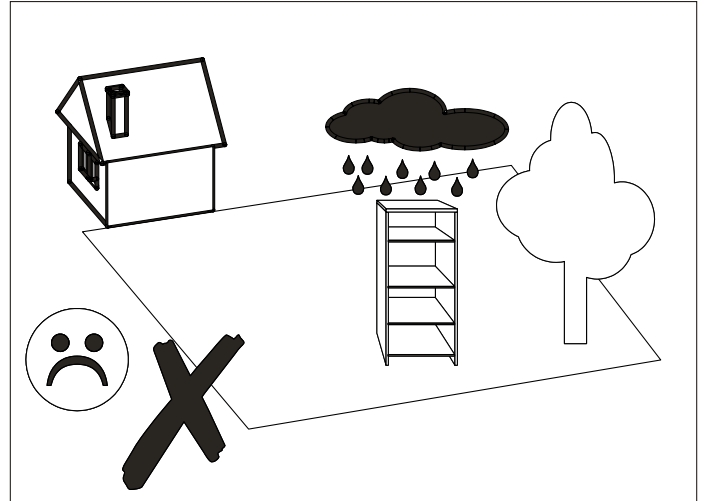
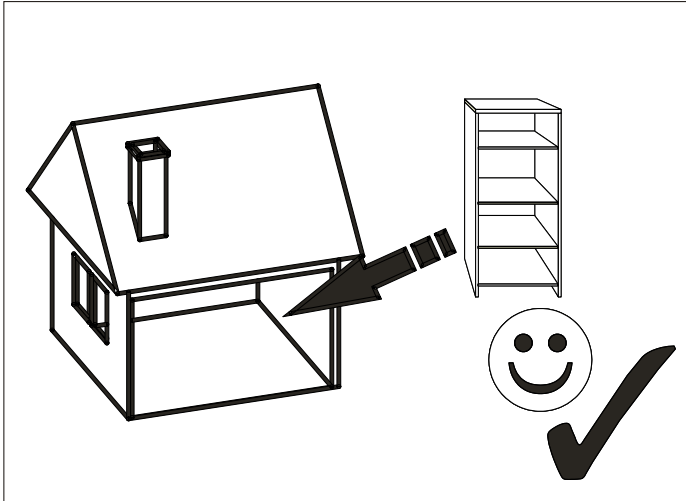


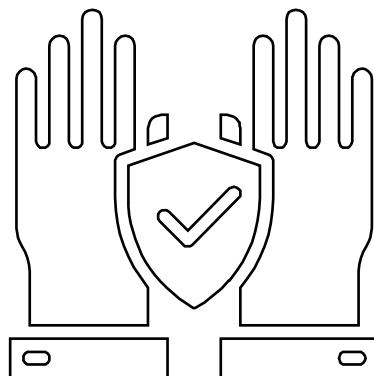
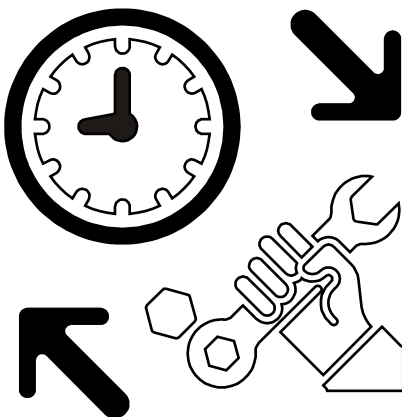
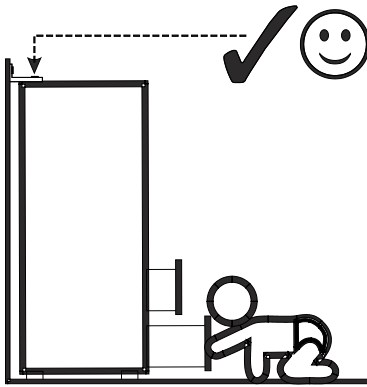
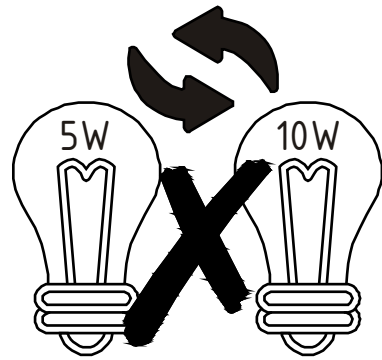
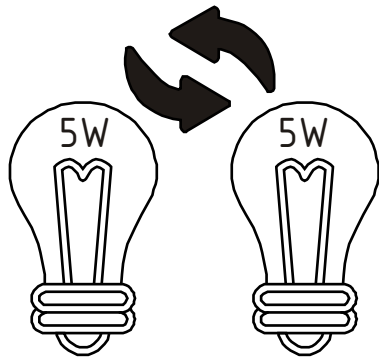
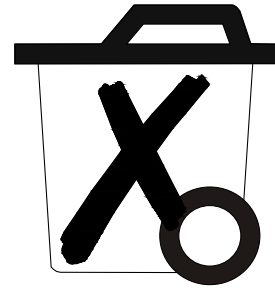
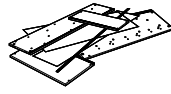
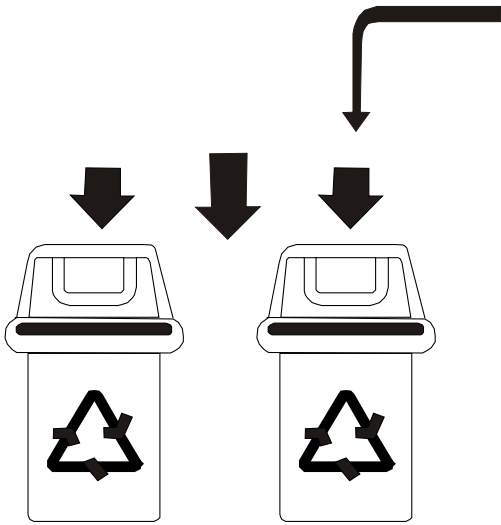
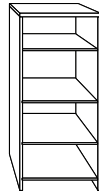
|                    |                     |                   |                    |                     |                     |                     |                      |                       |  |
|--------------------|---------------------|-------------------|--------------------|---------------------|---------------------|---------------------|----------------------|-----------------------|--|
| 2x<br>4mm<br>O1    | 6x<br>M4x24<br>S4   |                   |                    |                     |                     |                     |                      |                       |  |
| 10x<br>ZC45        | 22x<br>3.5x13<br>W3 | 8x<br>4x16<br>WP4 | 8x<br>B2           | 10x<br>TU1          | 1x<br>4x30<br>W4    | 2x<br>M4x10<br>S5   | 1x<br>#14/863<br>ZN1 | 2x<br>1,5mm<br>O2     |  |
| 1x<br>L1           | 2x<br>3x16<br>W6    | 12x<br>ST1        | 1x<br>#350L<br>PK3 | 1x<br>#350P<br>PK3  | 12x<br>3x20<br>W9   | 4x<br>N1            | 2x<br>U2             | 24x<br>#20/863<br>ZN1 |  |
| 4x<br>6.4x50<br>K5 | 36x<br>8x30<br>K1   | 3x<br>U 1         | 1x<br>K20          | 42x<br>#15/15<br>M1 | 42x<br>DU232T<br>T1 | 16x<br>4,5x16<br>W7 | 13x<br>2x20<br>G1    | 4x<br>6x12<br>E1      |  |



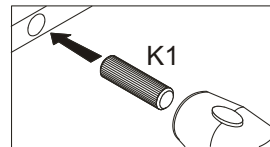
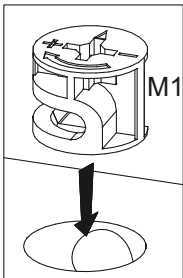
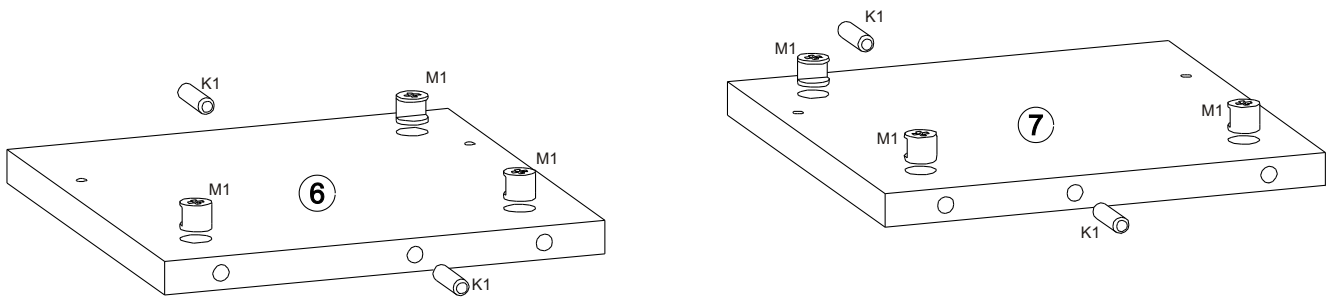
|    |            |     |    |           |     |
|----|------------|-----|----|-----------|-----|
| 11 | 382x440    | 3/5 | 22 | 1758x90.5 | 2/5 |
| 10 | 869x108    | 2/5 | 21 | 1758x90.5 | 2/5 |
| 9  | 869x108    | 2/5 | 20 | 1769x880  | 2/5 |
| 8  | 869x76     | 2/5 | 19 | 355x729   | 2/5 |
| 7  | 214x218    | 2/5 | 18 | 868x390   | 1/5 |
| 6  | 214x218    | 2/5 | 17 | 1084x331  | 2/5 |
| 5  | 869x354    | 2/5 | 16 | 714x124   | 1/5 |
| 4  | 1758x335.5 | 2/5 | 15 | 350x136   | 1/5 |
| 3  | 1758x335.5 | 2/5 | 14 | 350x136   | 1/5 |
| 2  | 902x400    | 1/5 | 13 | 767x218   | 3/5 |
| 1  | 902x400    | 1/5 | 12 | 1084x81   | 3/5 |



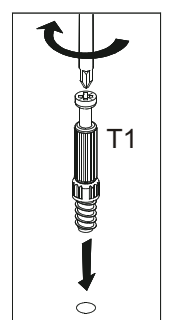
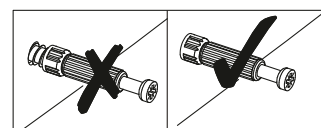
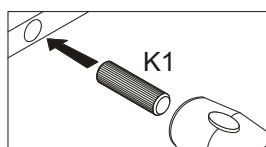
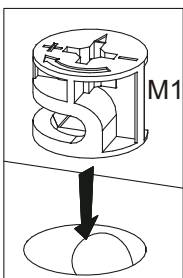
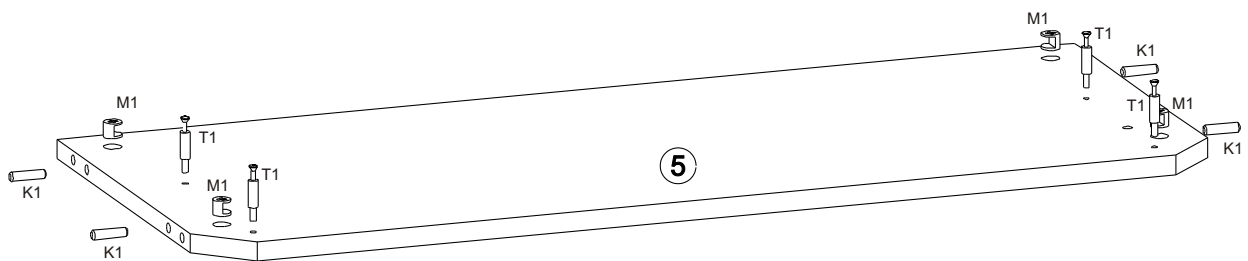
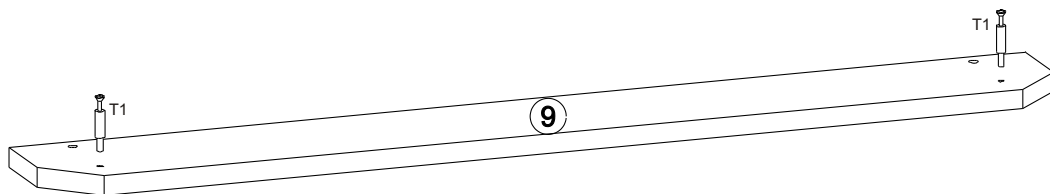




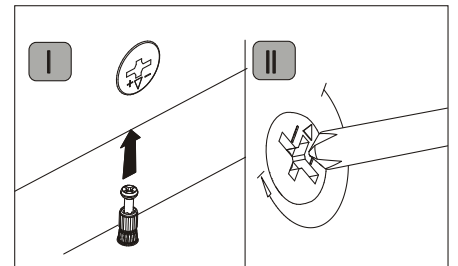
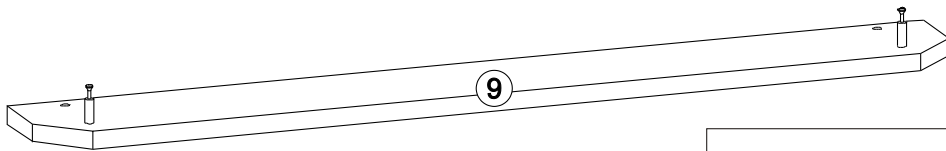
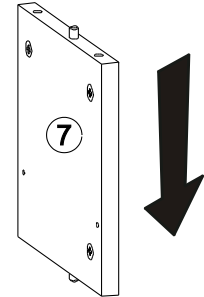
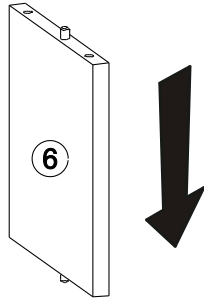
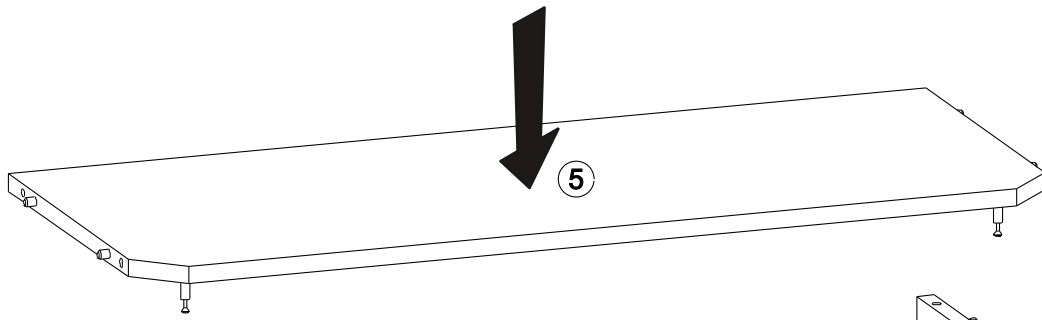
1 ▶



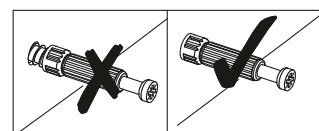
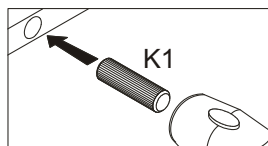
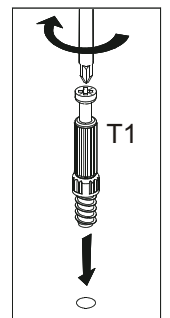
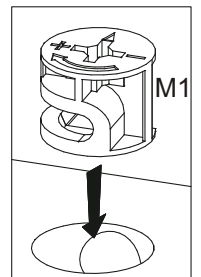
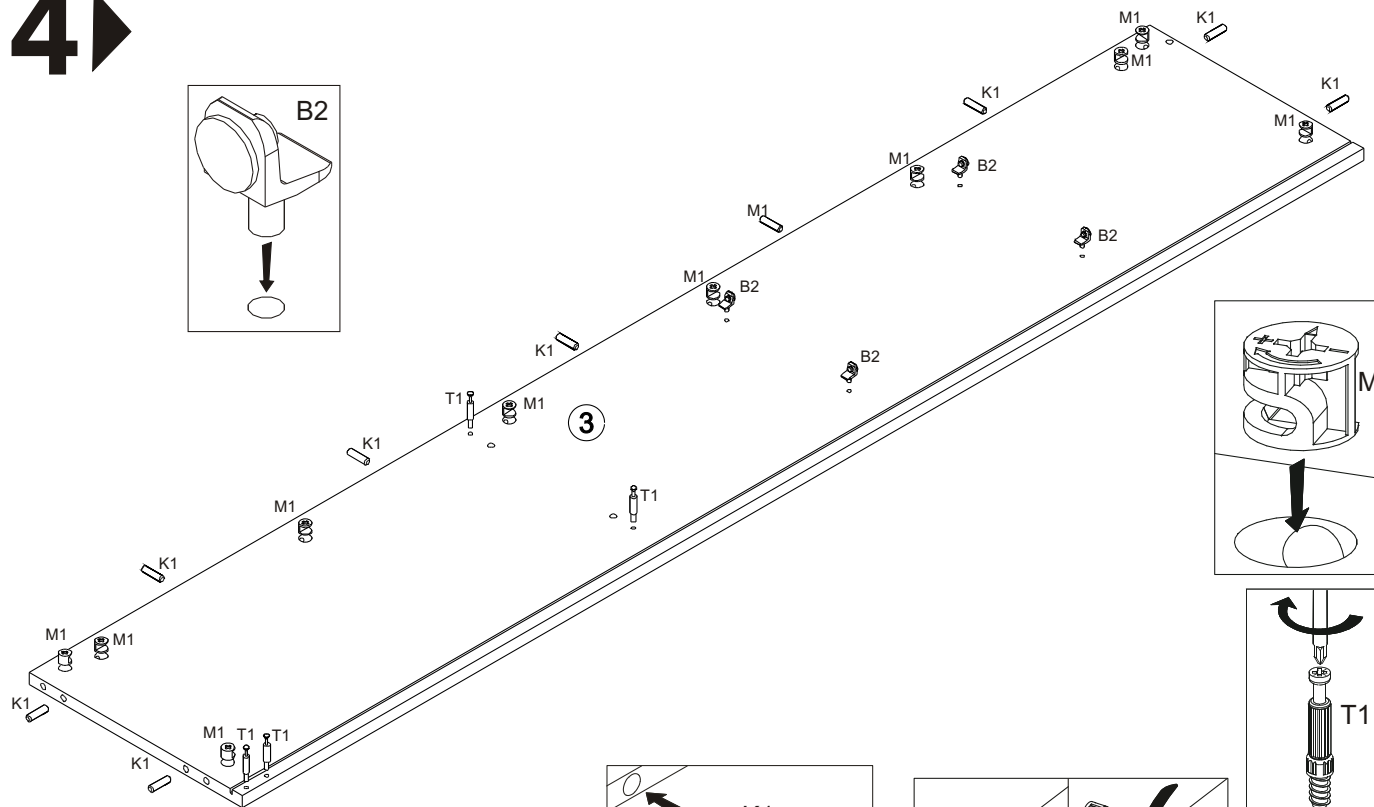
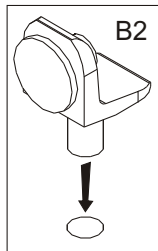
2 ▶



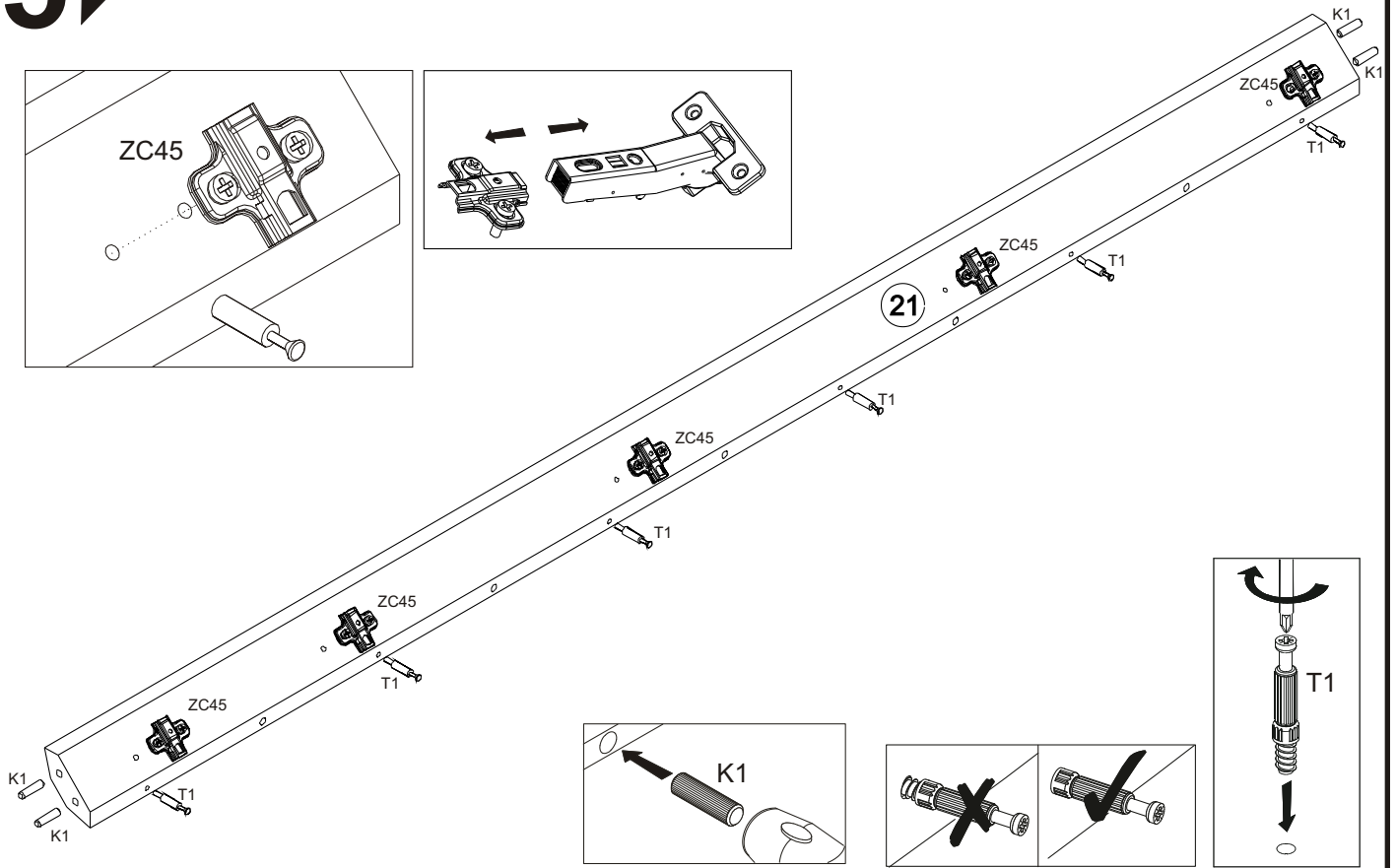
# 3 ▶



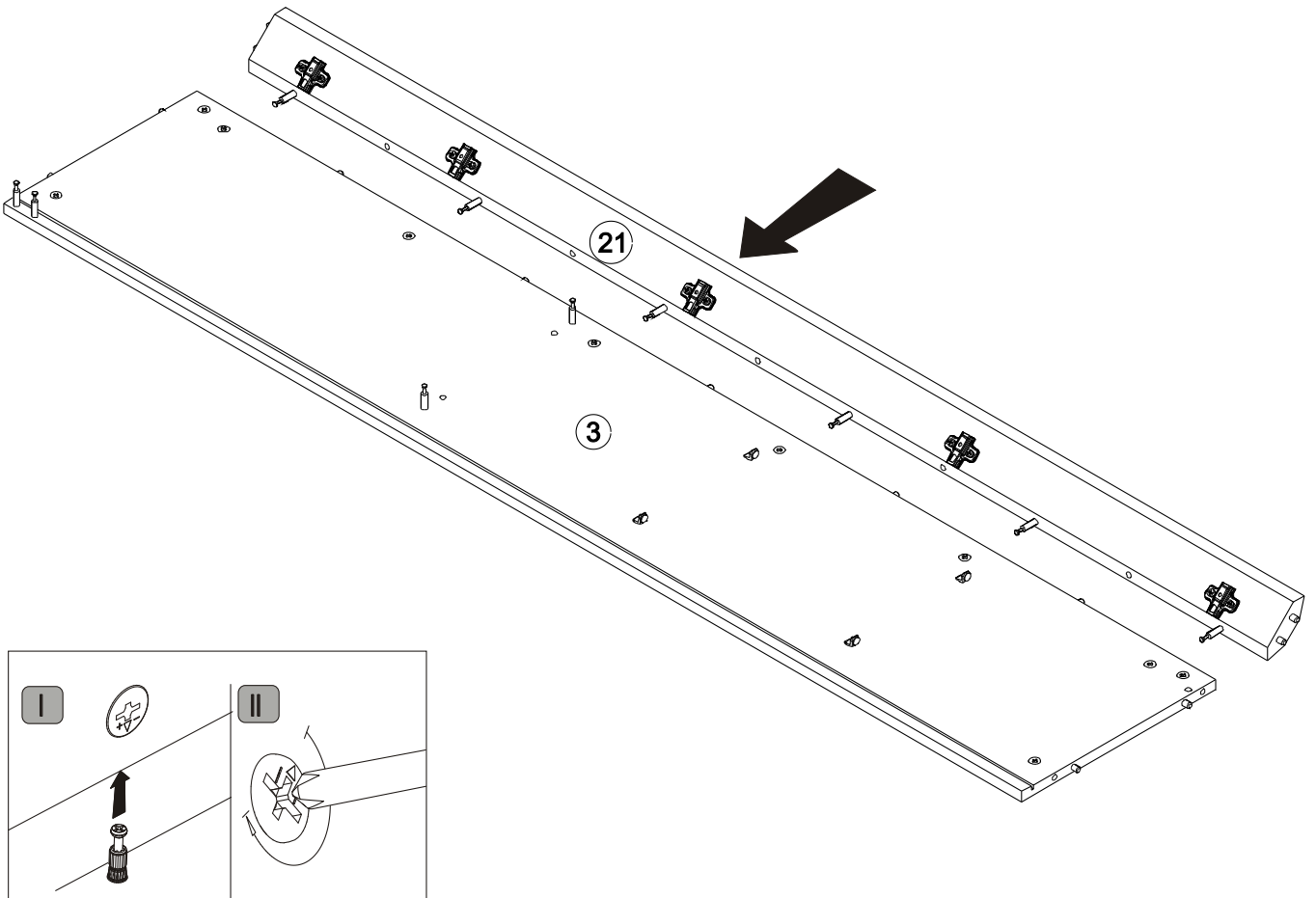
# 4 ▶



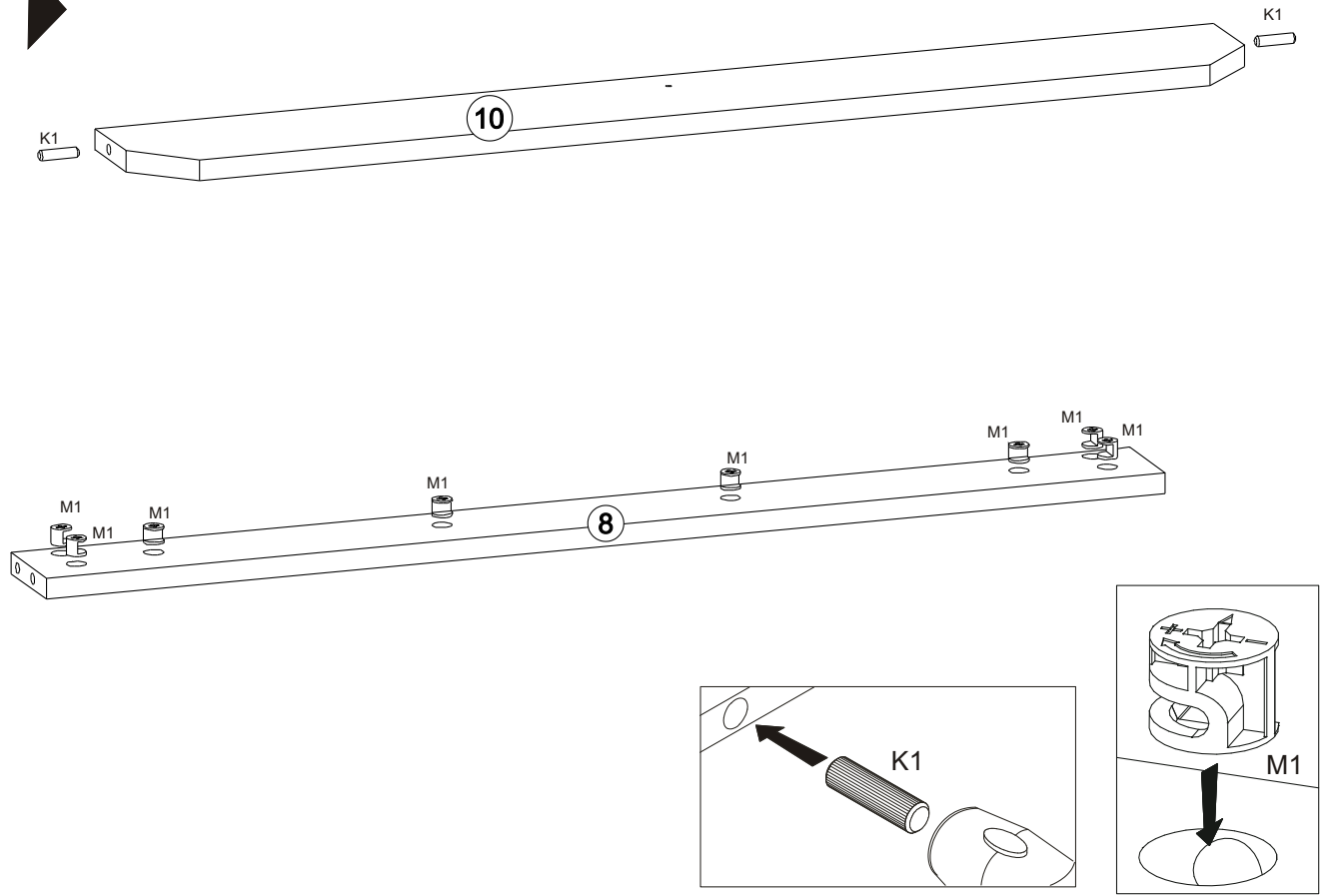
# 5 ▶



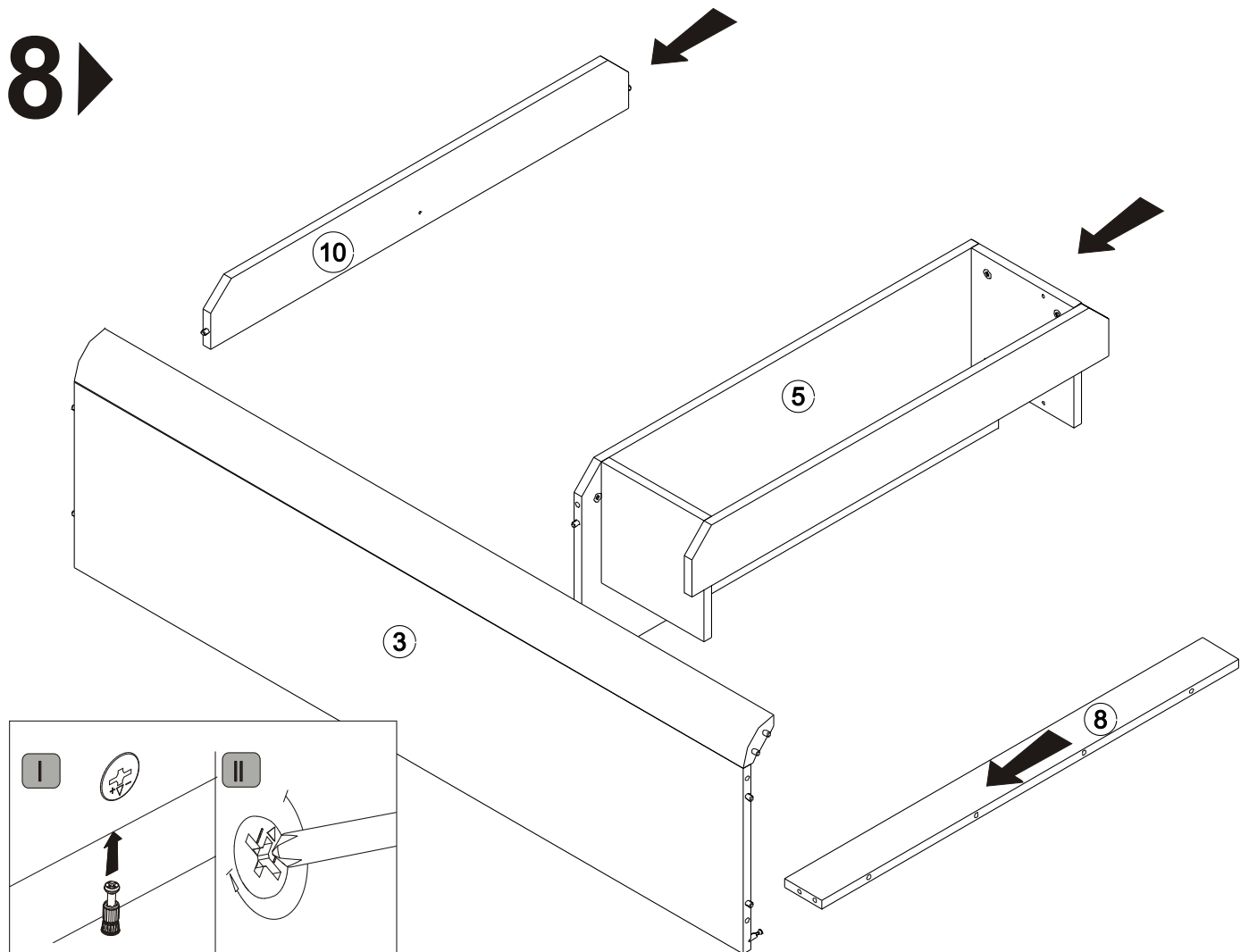
# 6 ▶



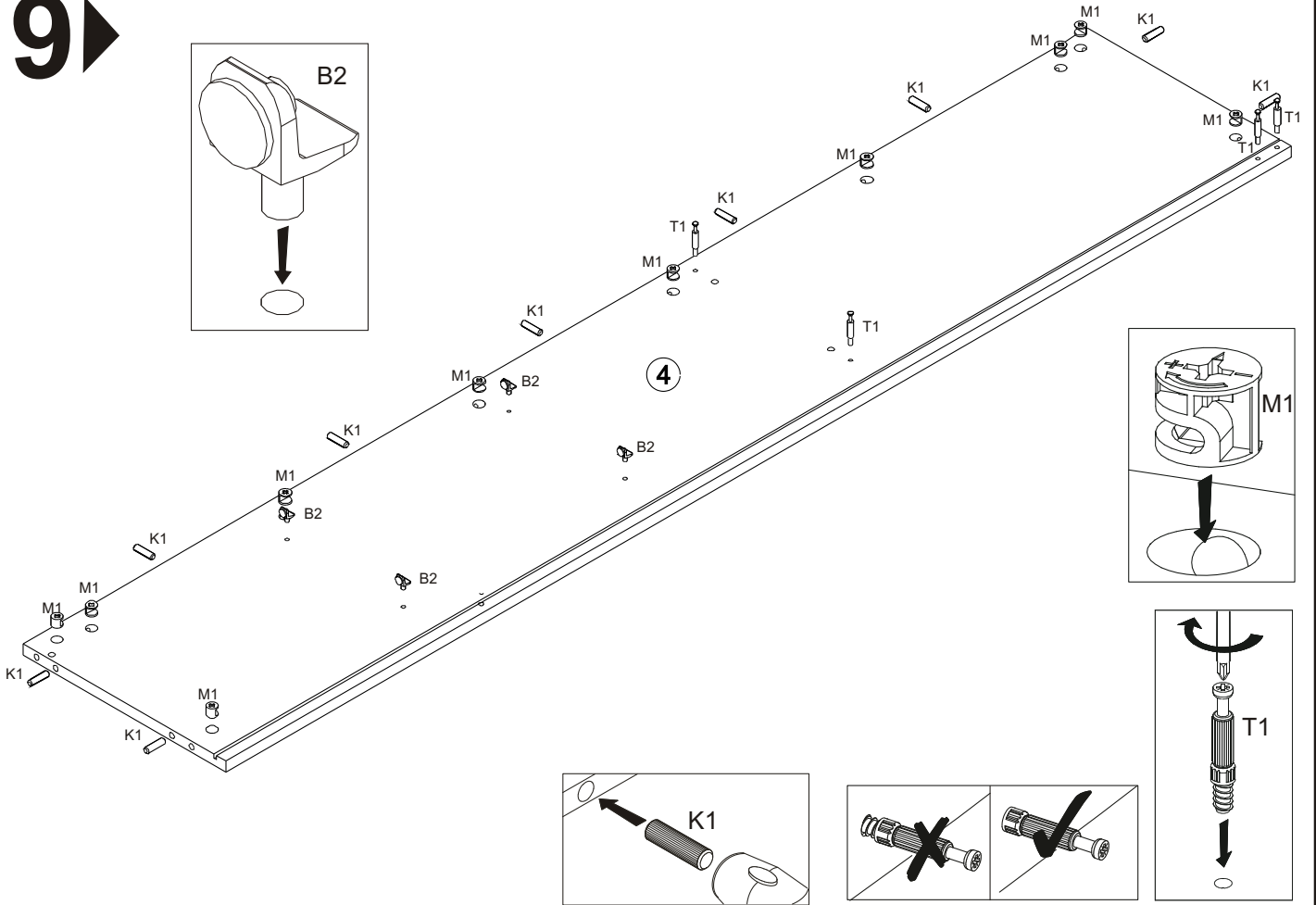
# 7



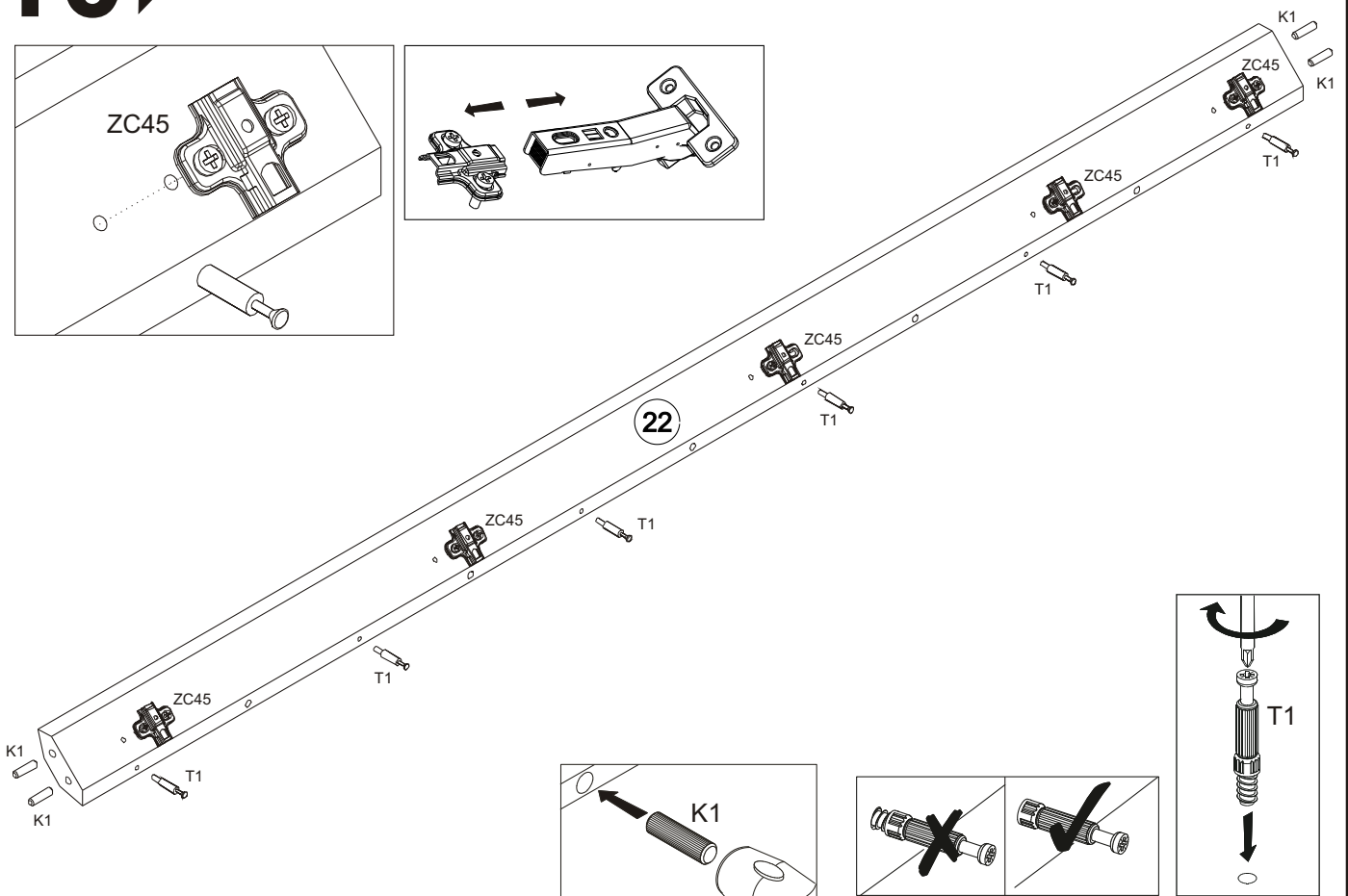
# 8



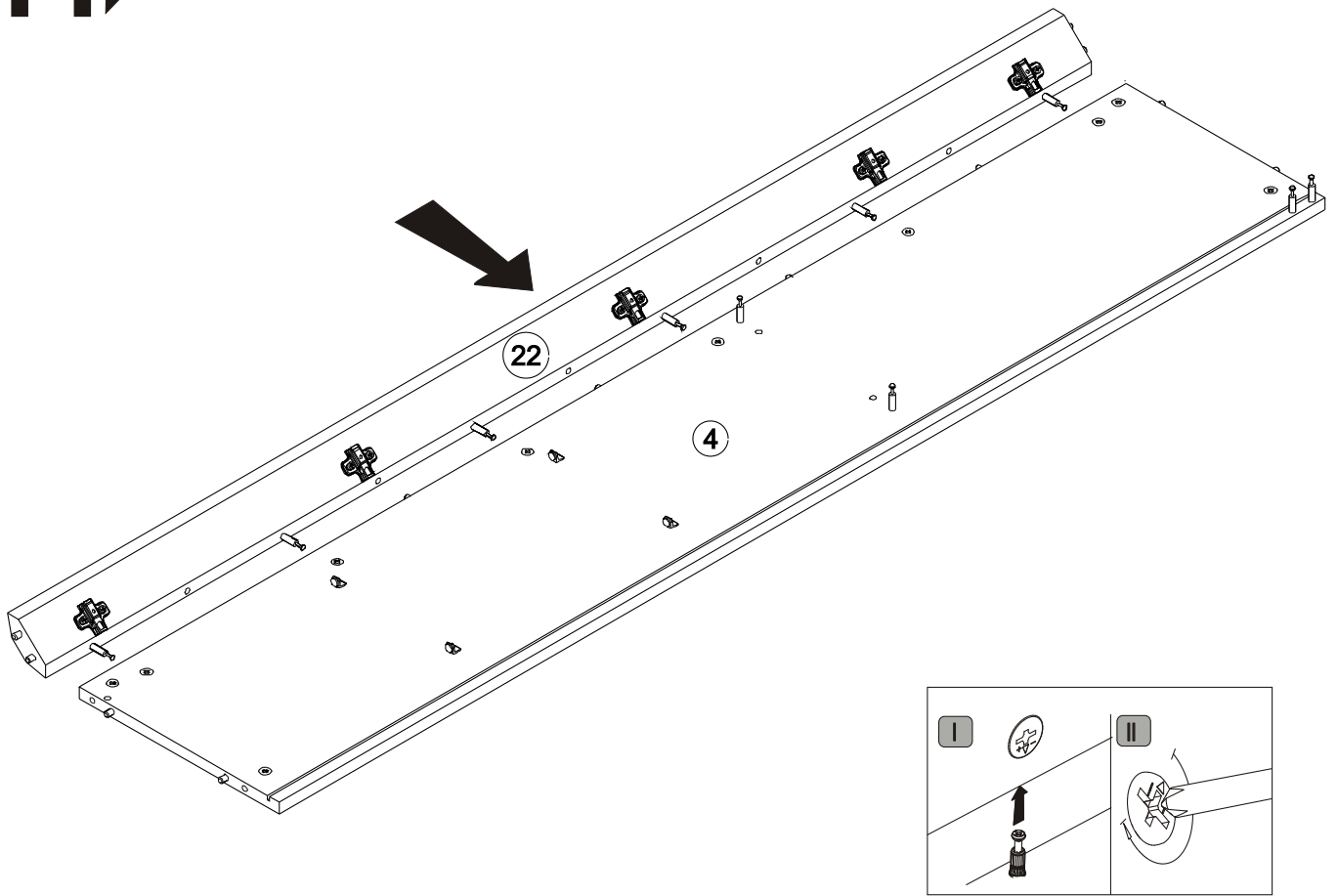
# 9 ▶



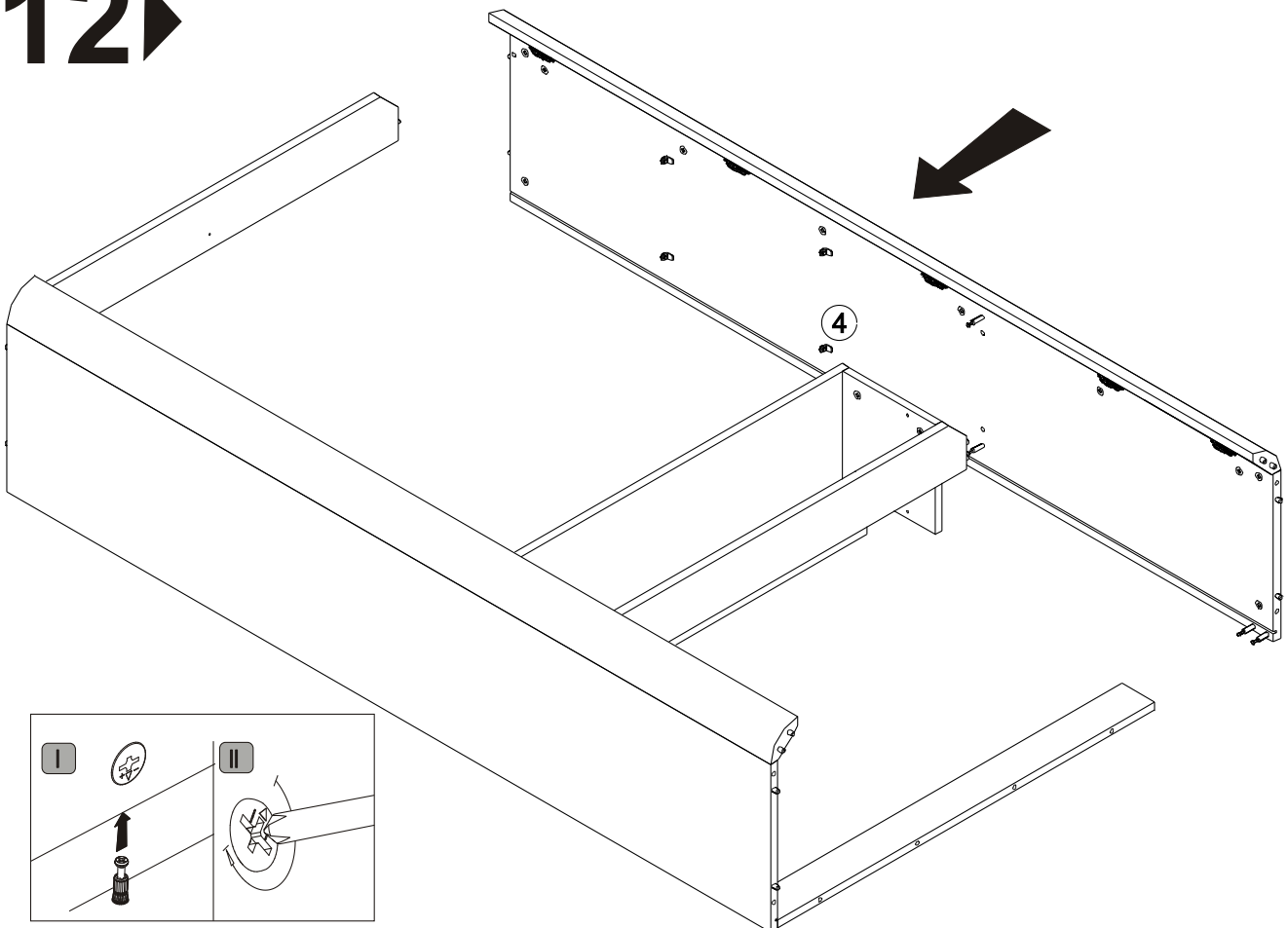
# 10 ▶



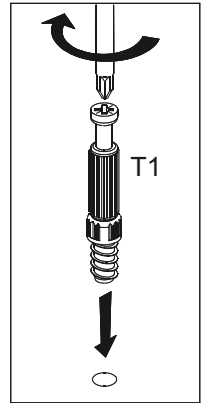
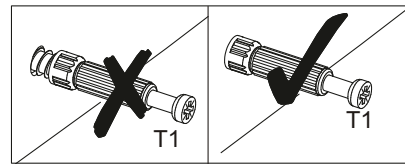
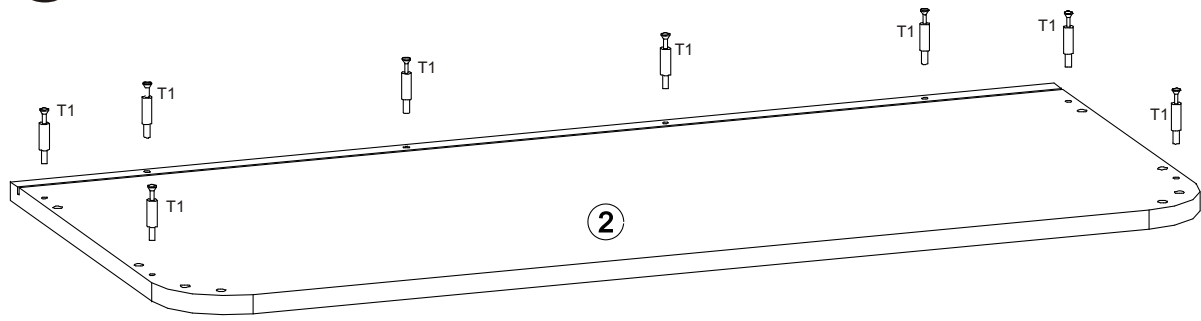
11▶



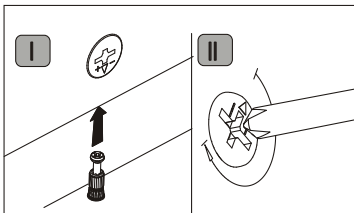
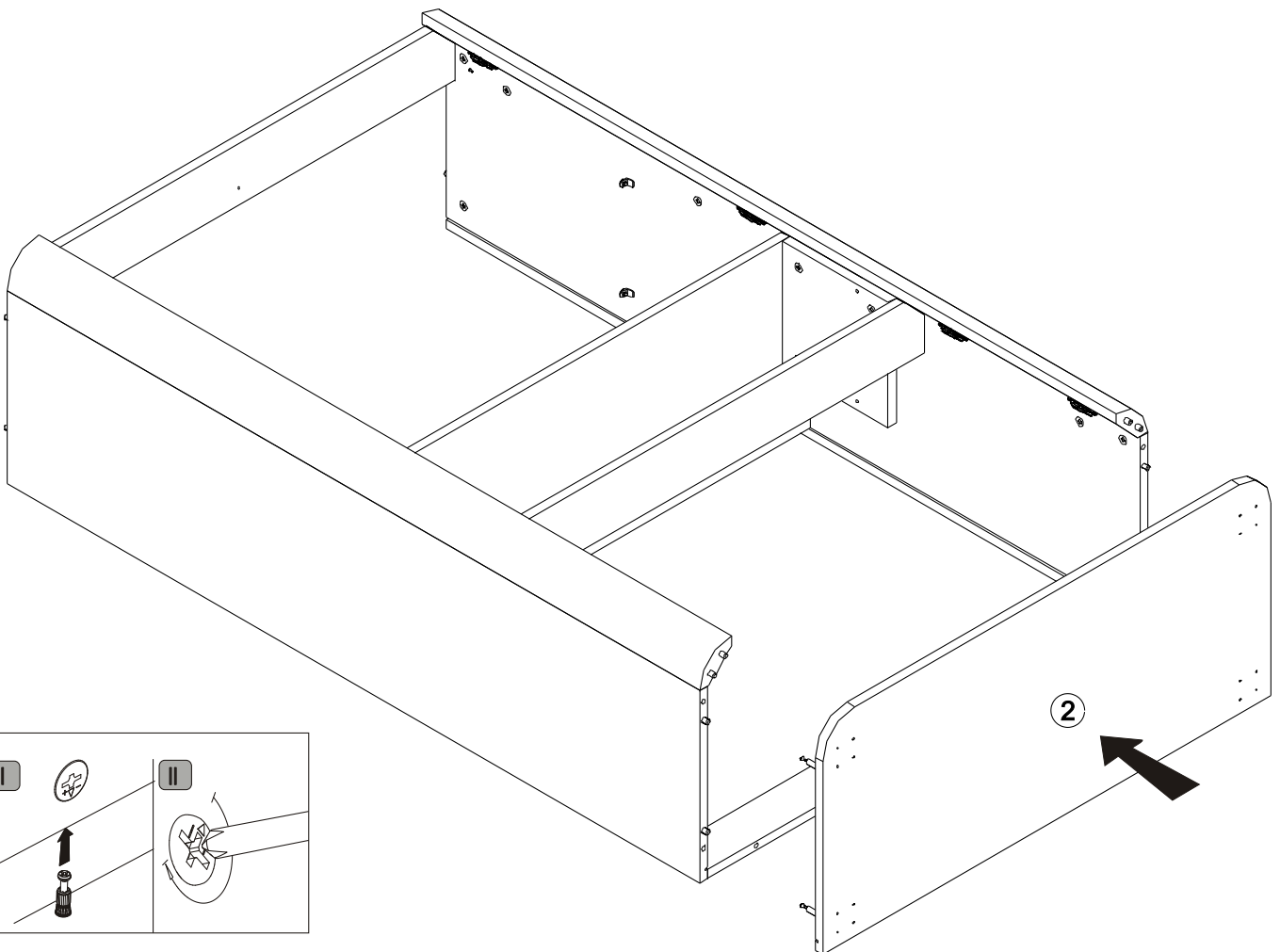
12▶



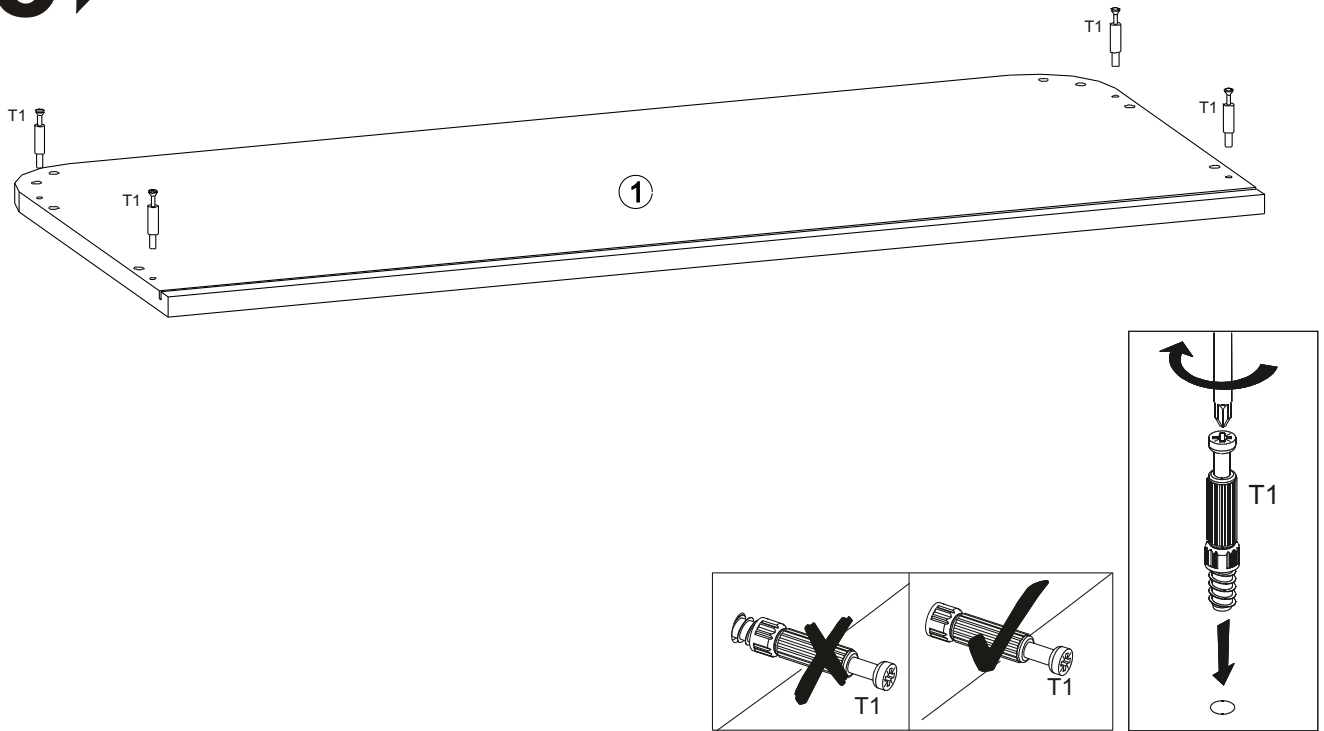
# 13▶



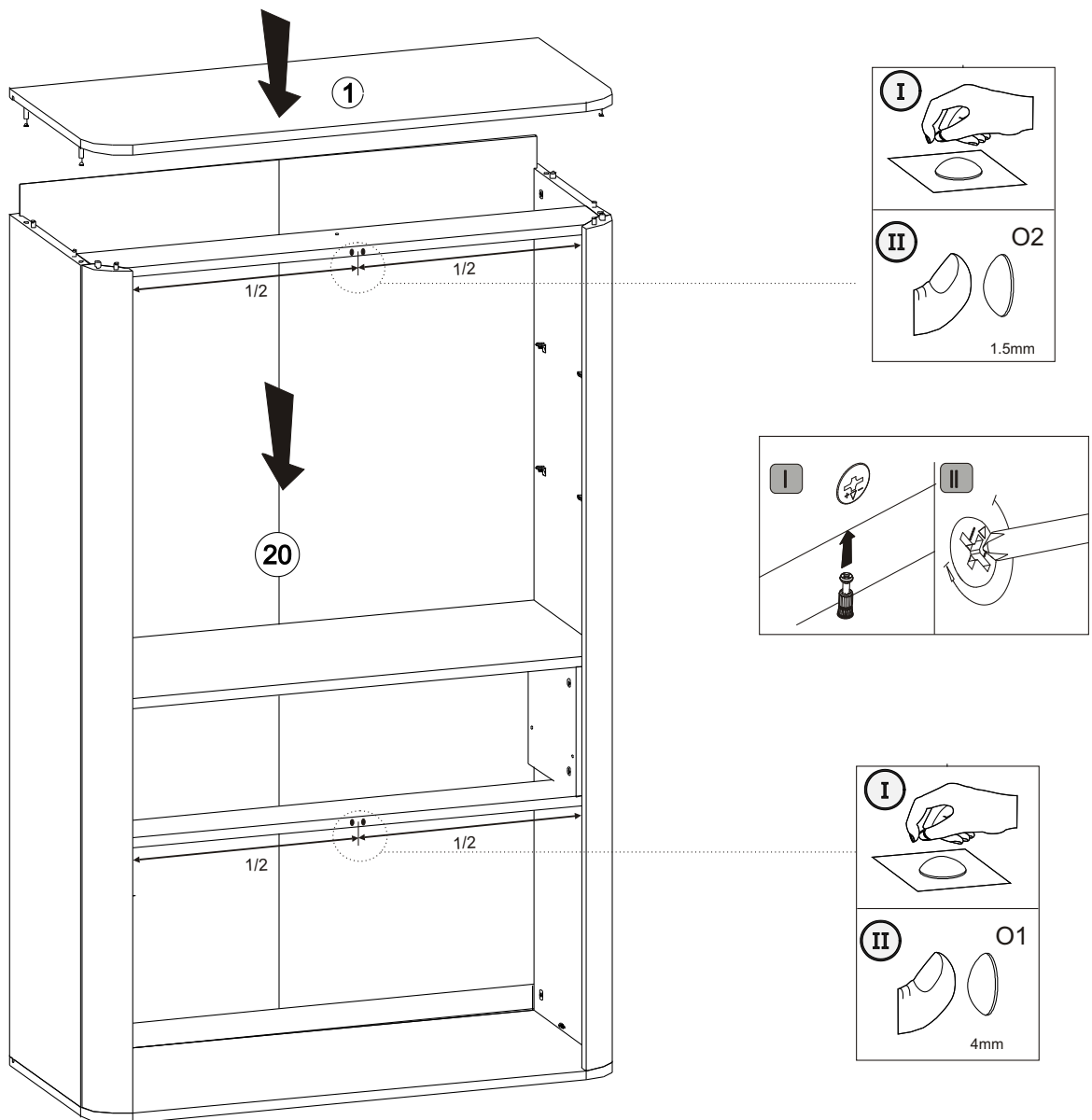
# 14▶



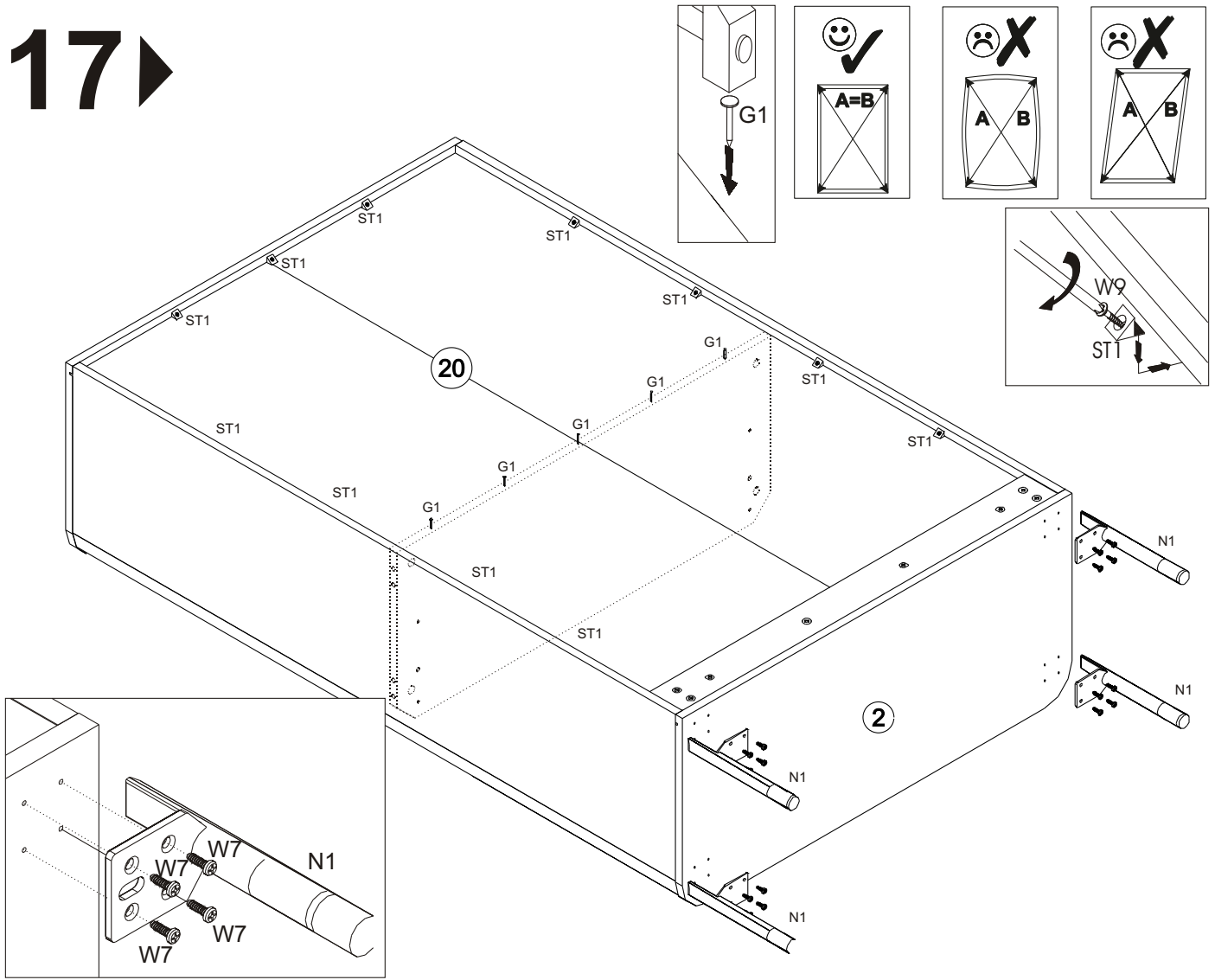
# 15 ▶



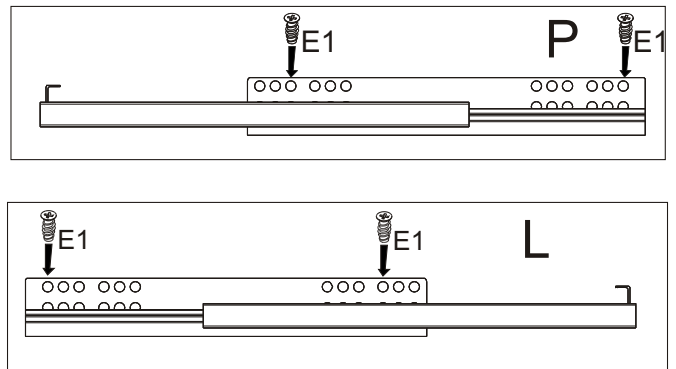
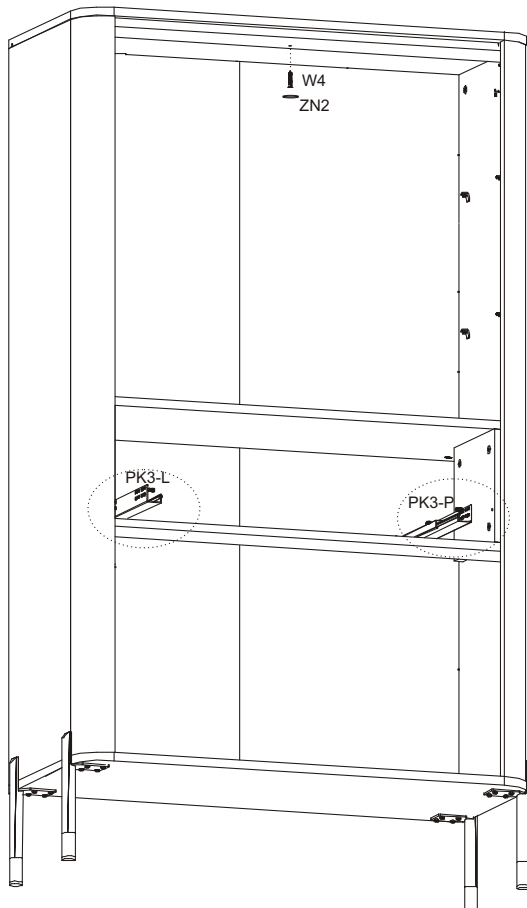
# 16 ▶



# 17

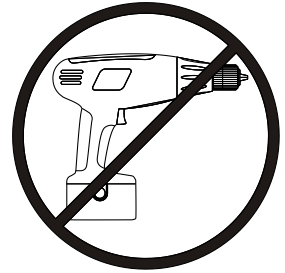
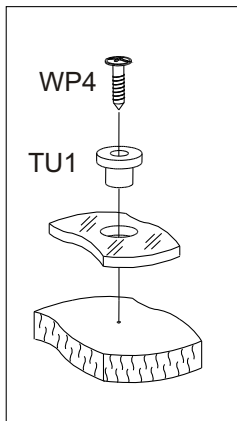
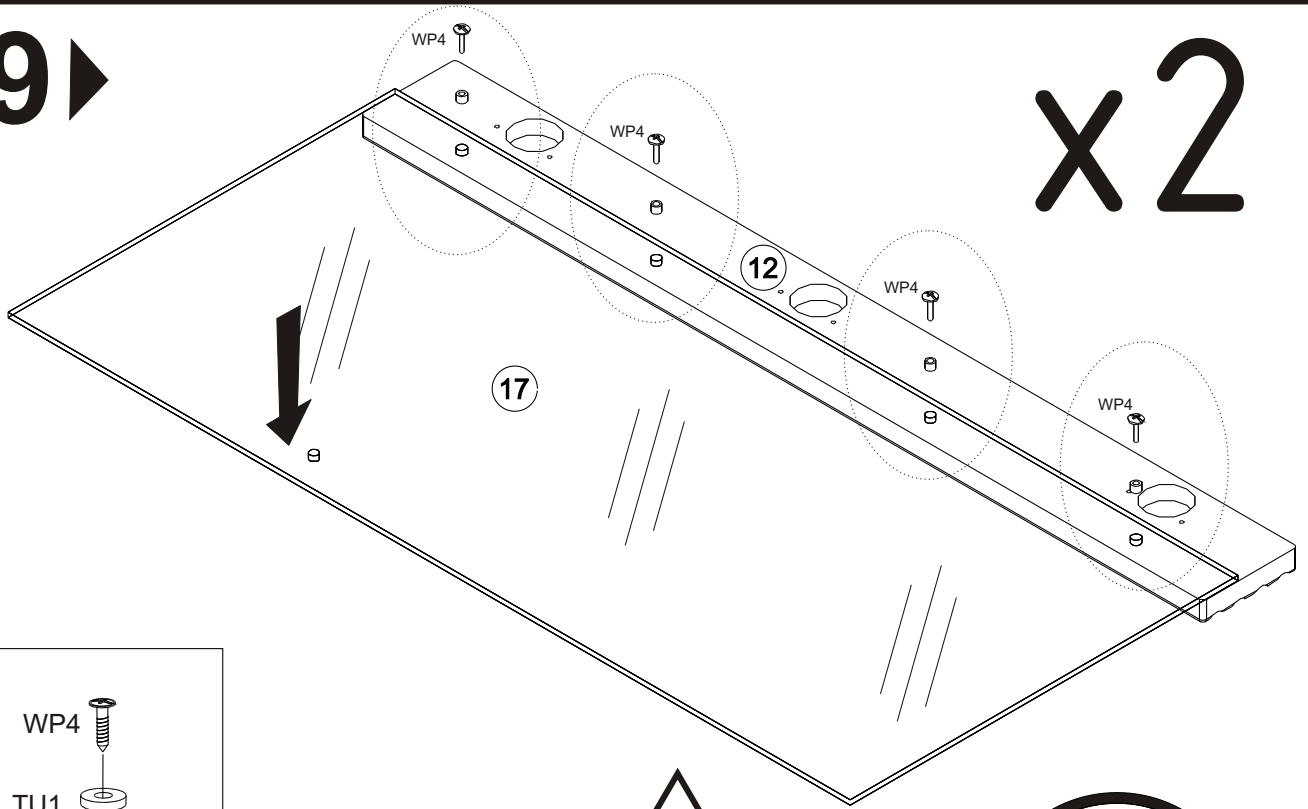


# 18



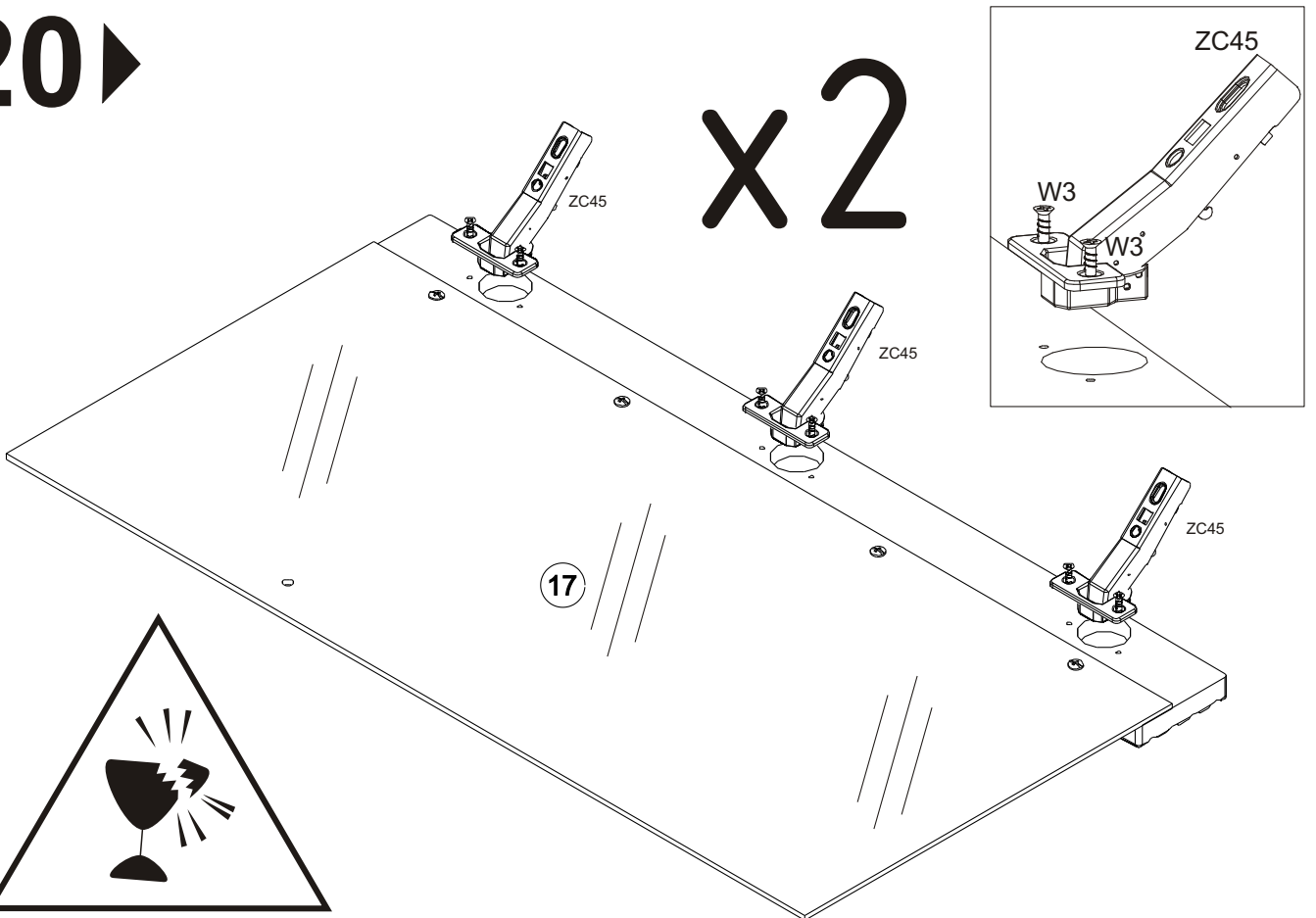
19 ▶

x2

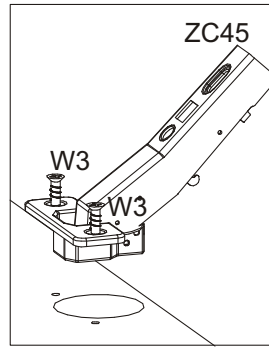


20 ▶

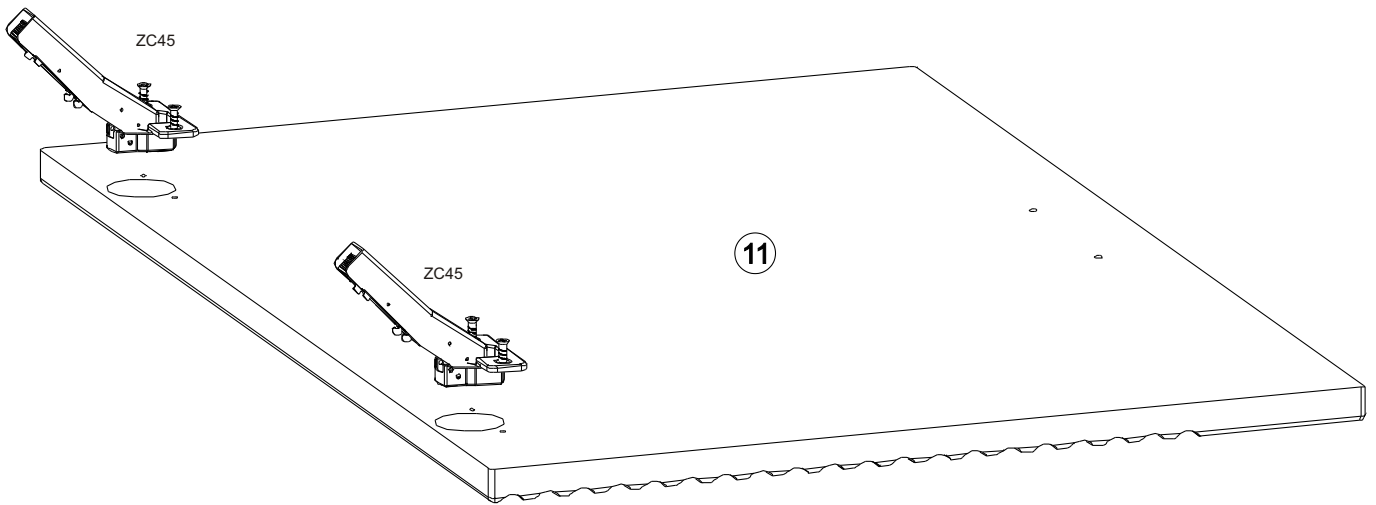
x2



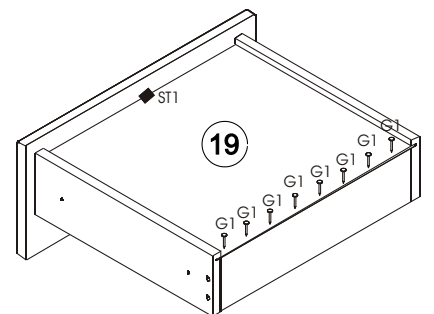
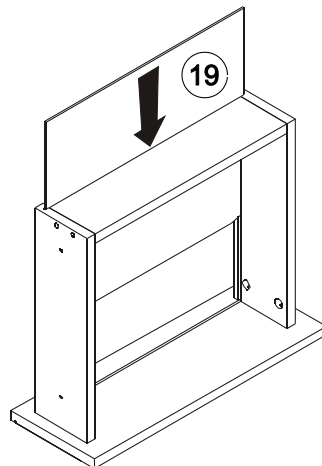
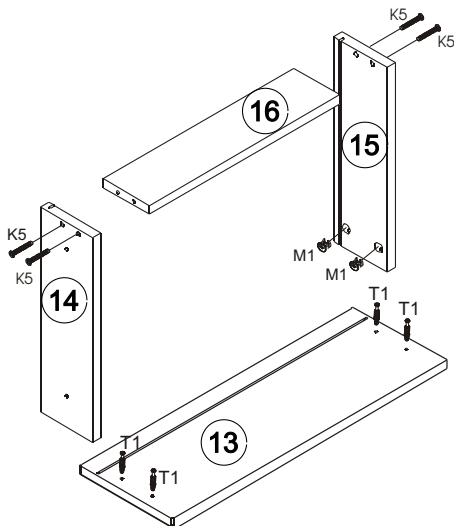
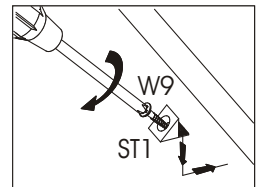
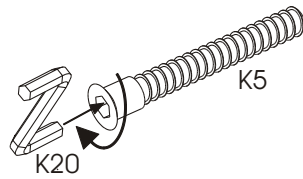
# 21▶



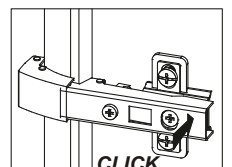
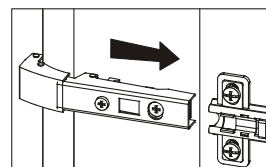
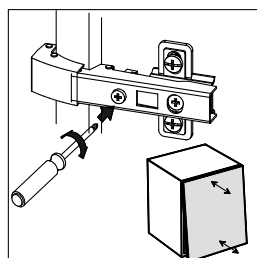
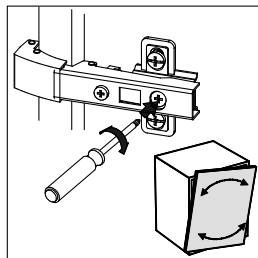
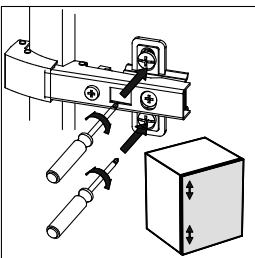
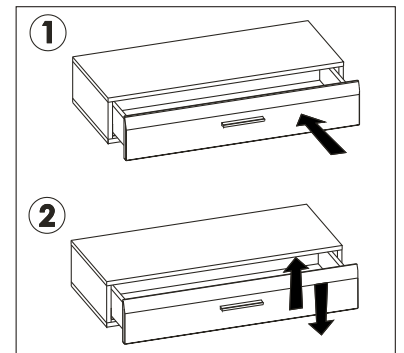
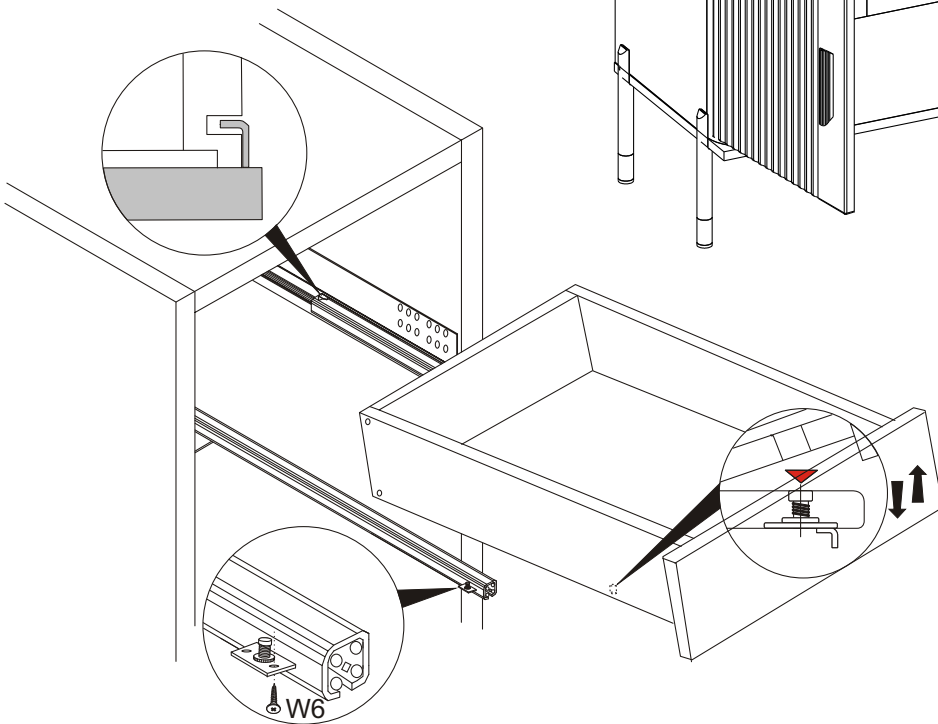
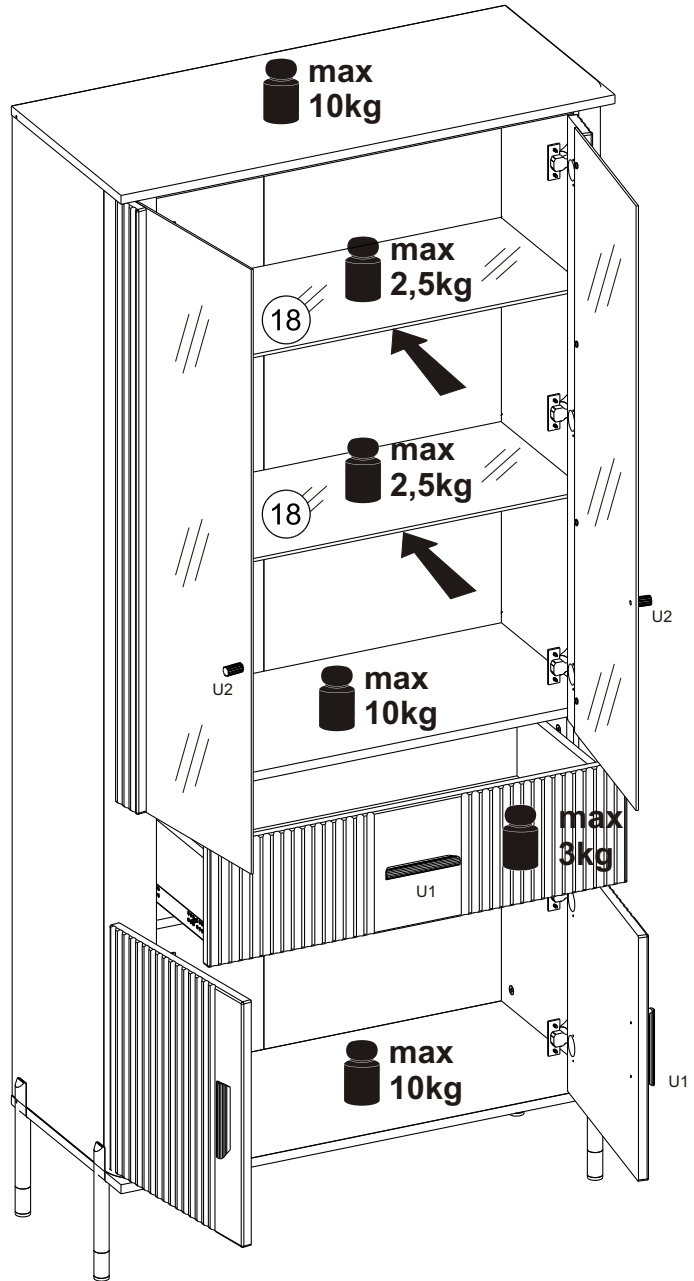
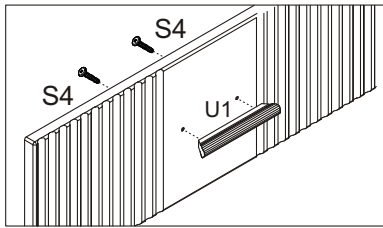
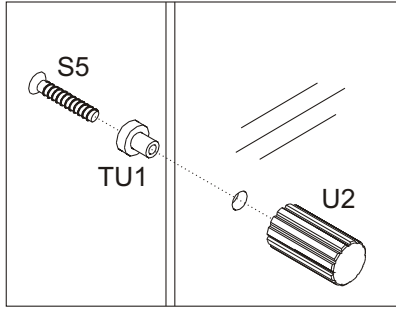
# x2



# 22▶



# 23 ▶



24 ▶

