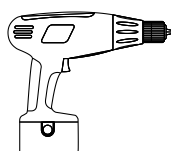
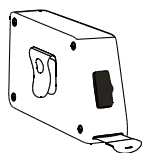
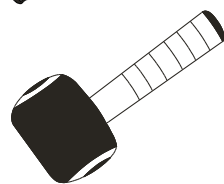
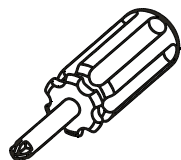
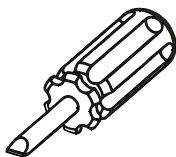
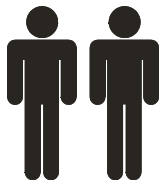
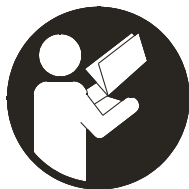


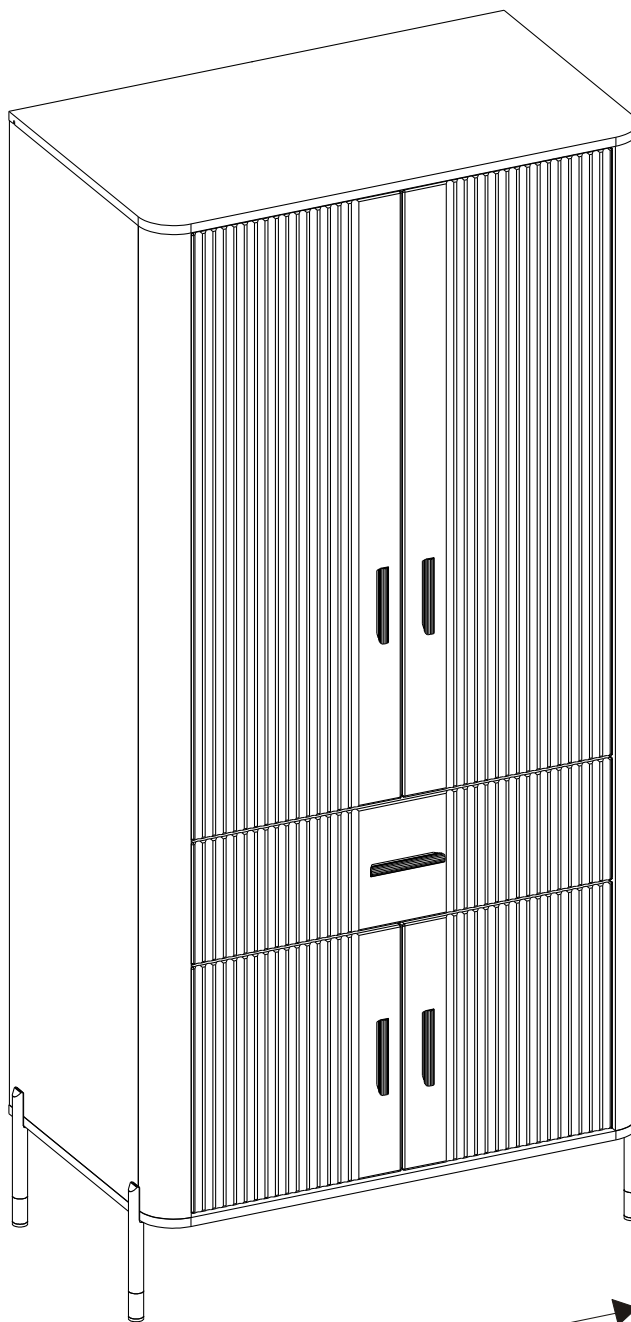
MODELL: DT16



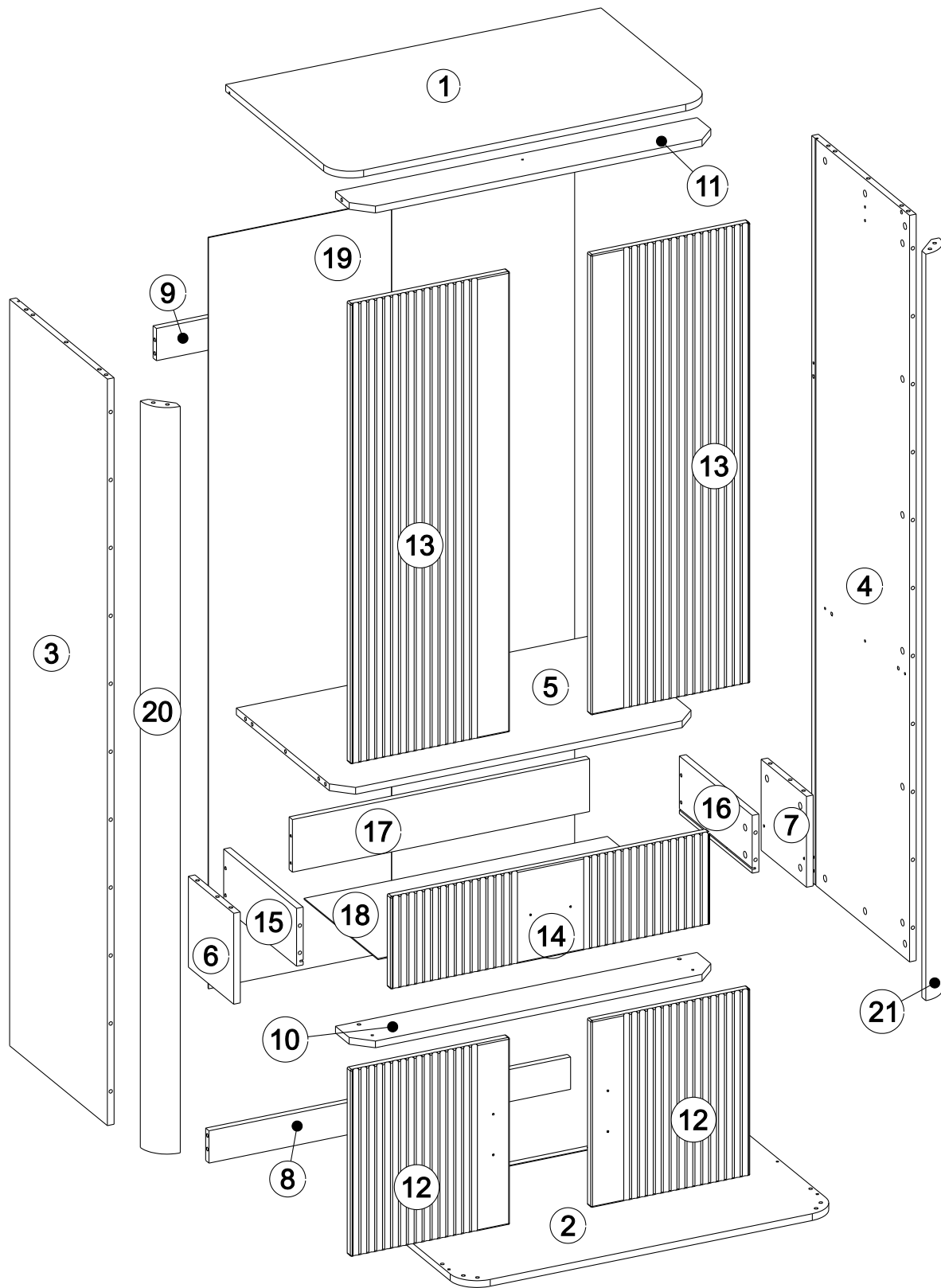
197

56,5

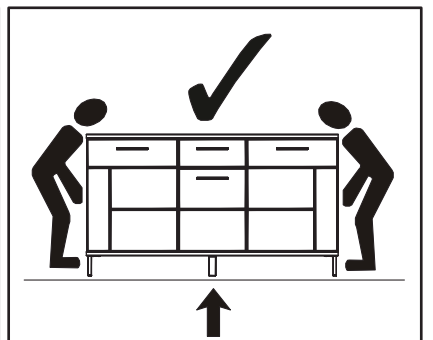
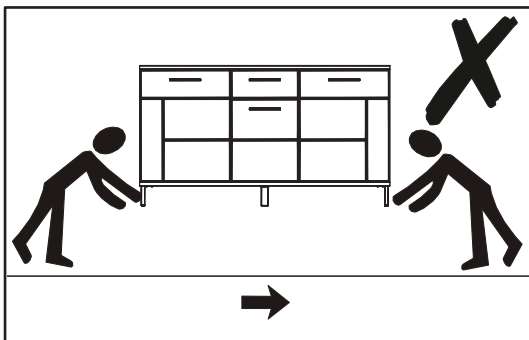
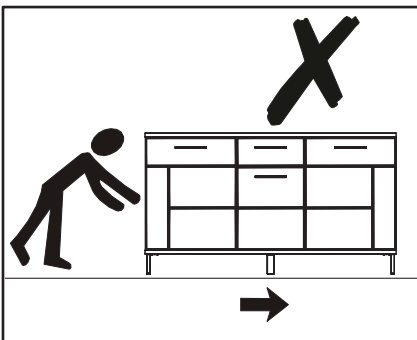
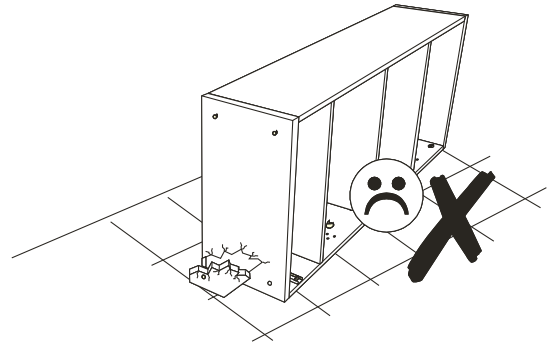
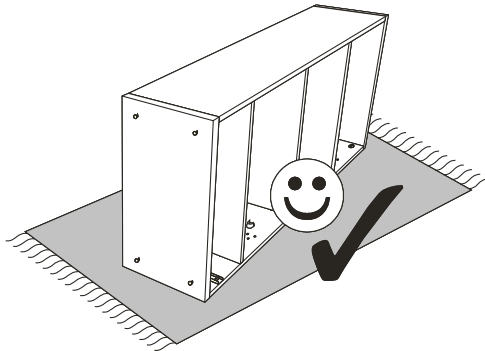
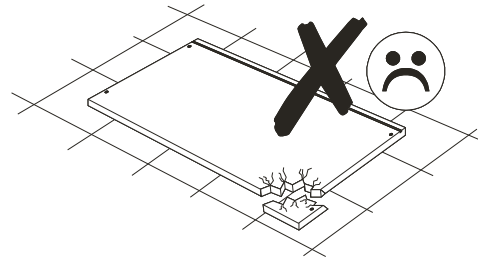
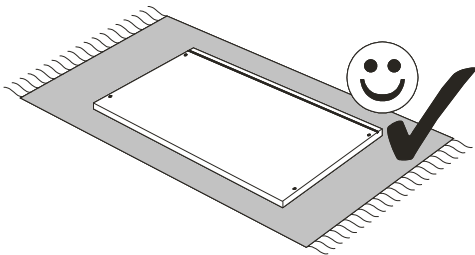
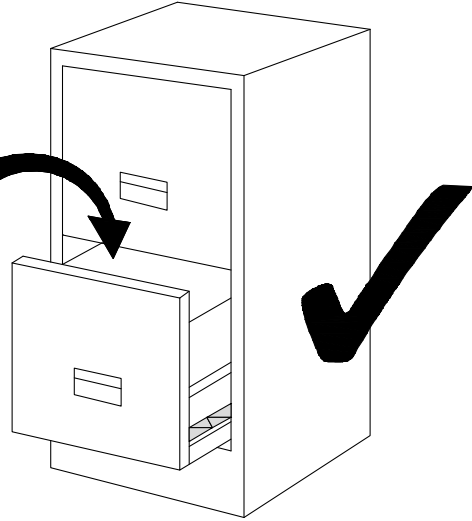
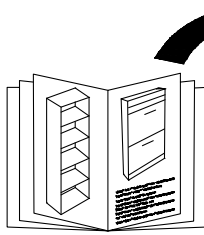
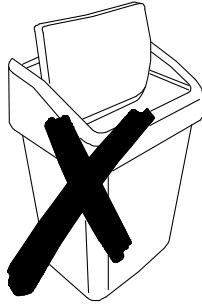
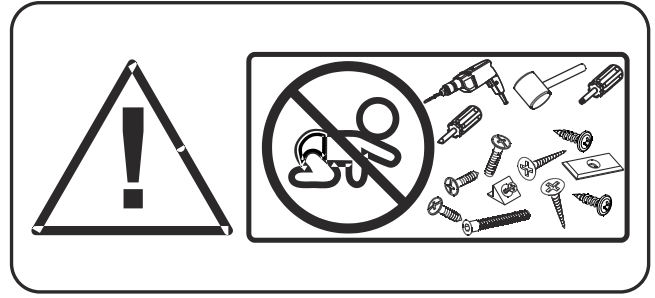
93

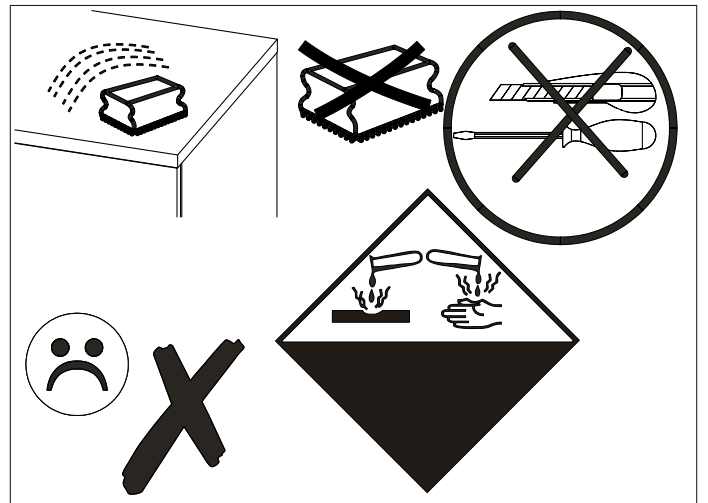
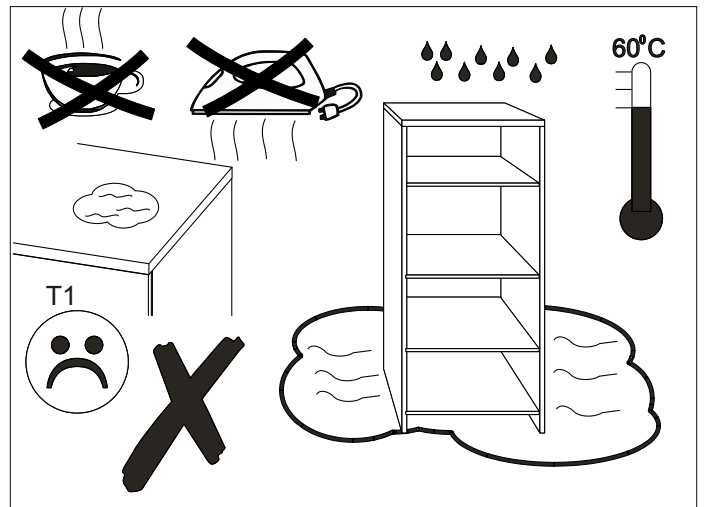
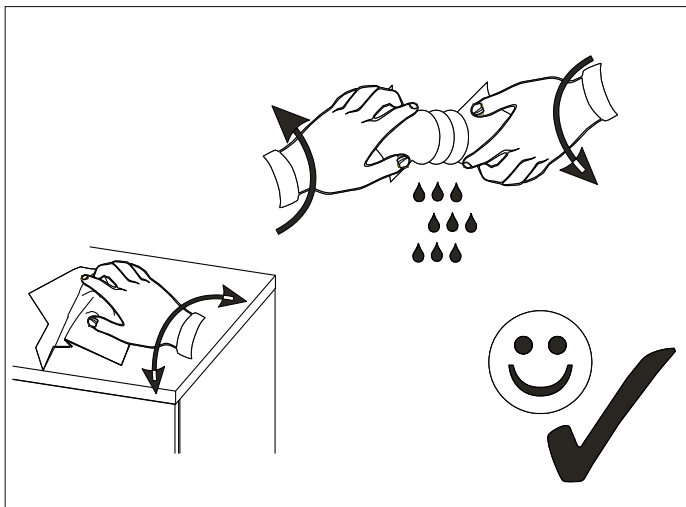
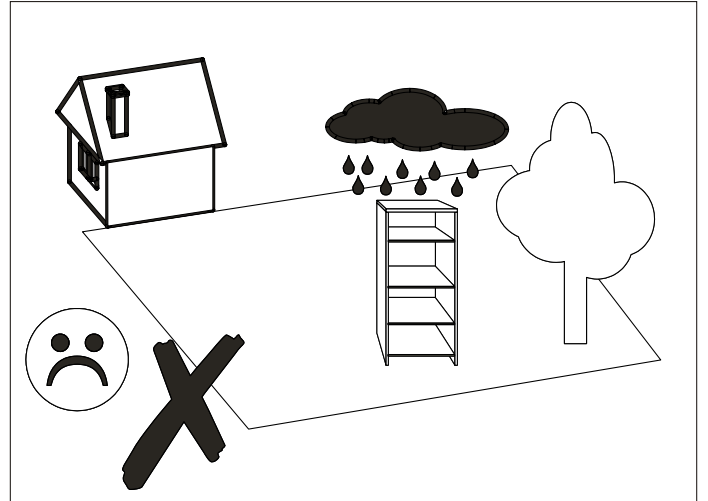
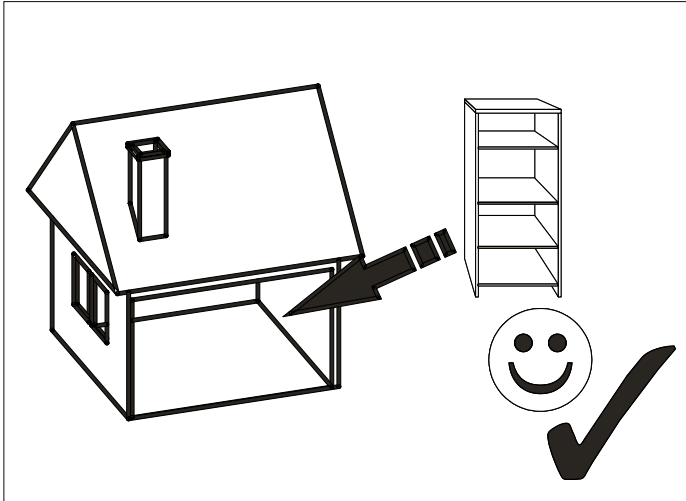


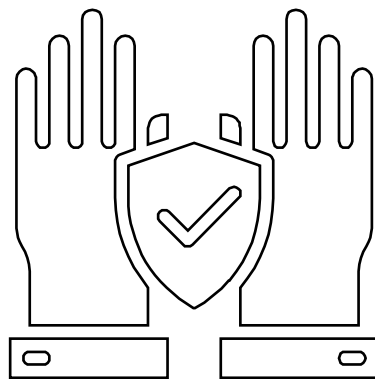
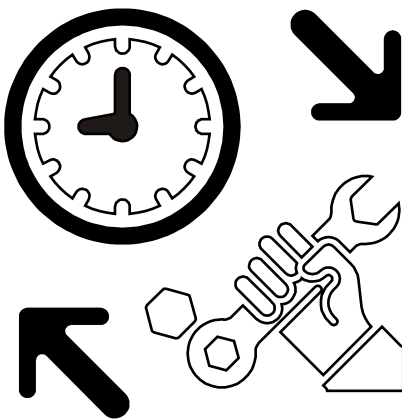
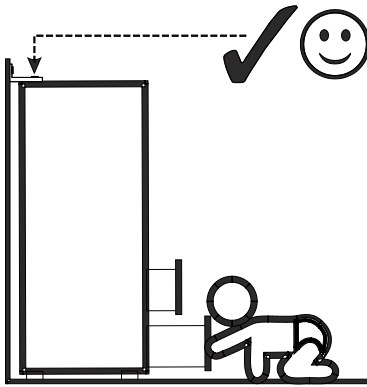
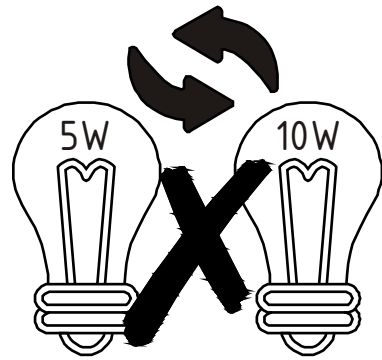
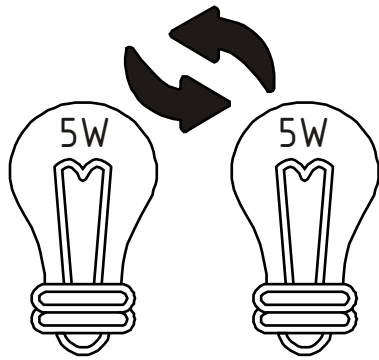
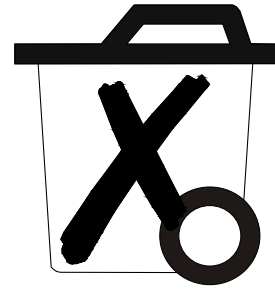
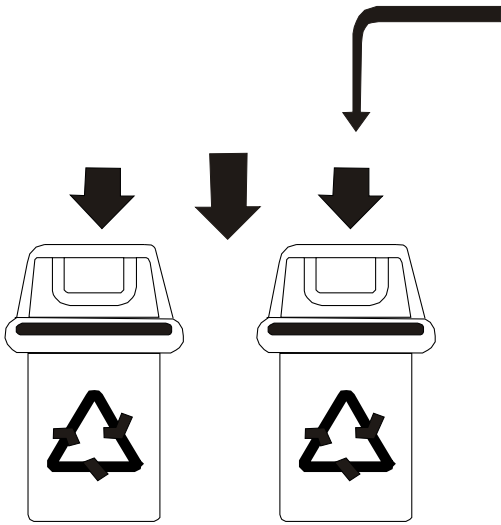
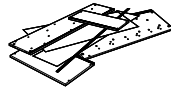
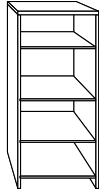
10x ZC45	24x 3.5x13 W3	3x 4x13 WP3	1x L-862 D1	1x #14/863 ZN1	1x 4x30 W4	4x 4mm O1	10x M4x24 S4	
1x L1	2x 3x16 W6	12x ST1	1x #400L PK3 cam bolt"/> #400L PK3	1x #400P PK3	12x 3x20 W9	4x N1	2x WS1	28x #20/863 washer"/> #20/863 ZN1
4x 6.4x50 K5	38x 8x30 K1	5x U1	1x K20	50x #15/15 cam bolt"/> #15/15 M1	50x DU232T T1	16x 4.5x16 W7	13x 2x20 G1	4x 6x12 E1



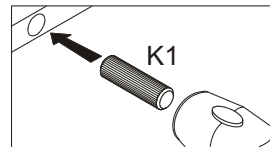
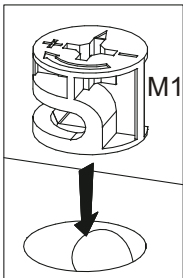
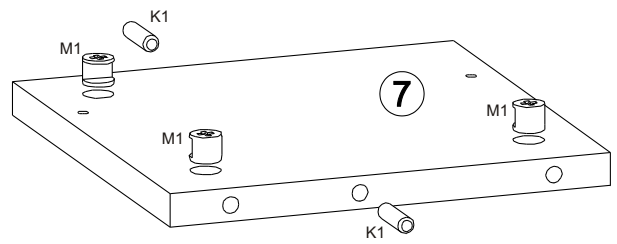
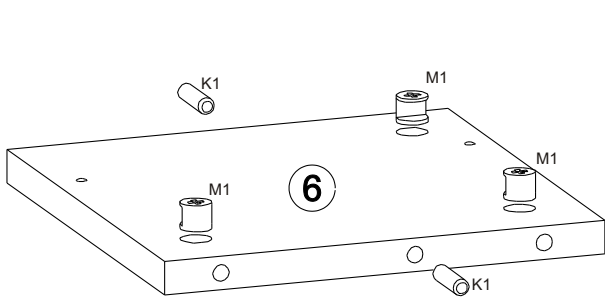
7	214x218	1/5	14	767x218	3/5	21	1758x90.5	2/5
6	214x218	1/5	13	1084x382	2/5	20	1758x90.5	2/5
5	869x489	2/5	12	382x440	3/5	19	1769x880	2/5
4	1758x470.5	2/5	11	869x108	2/5	18	405x729	2/5
3	1758x470.5	2/5	10	869x108	2/5	17	714x124	1/5
2	902x535	1/5	9	869x76	2/5	16	400x136	1/5
1	902x535	1/5	8	869x76	2/5	15	400x136	1/5



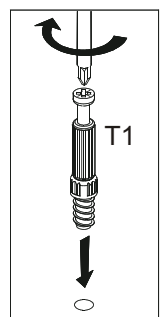
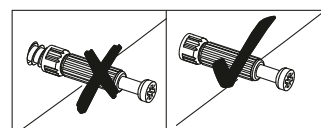
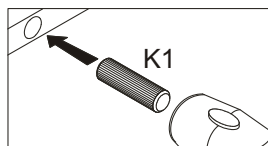
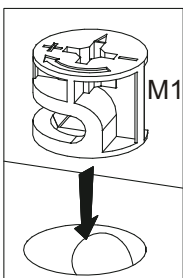
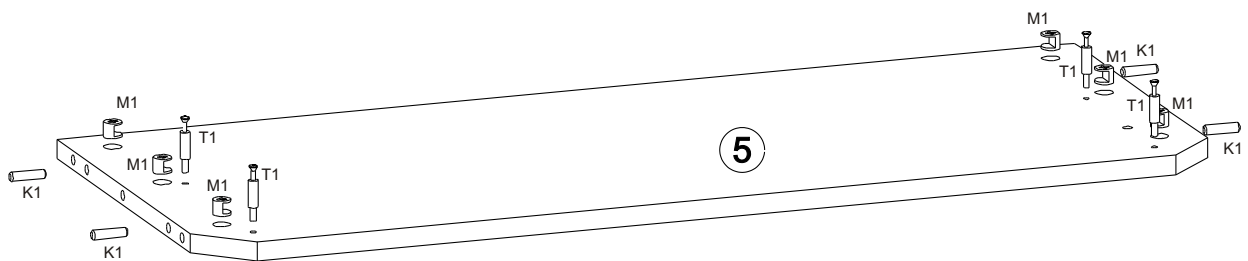
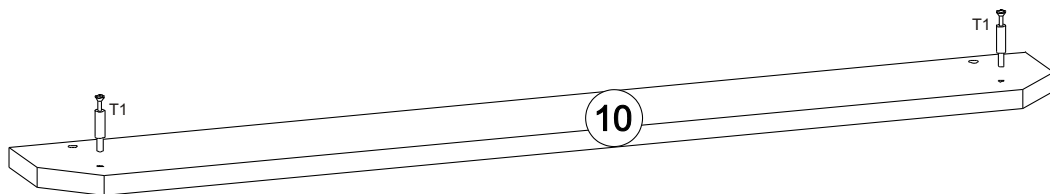




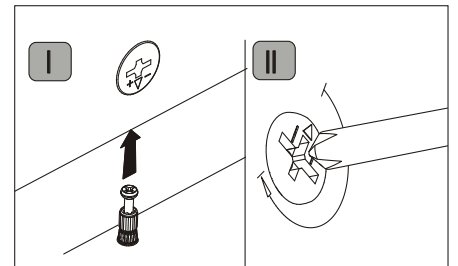
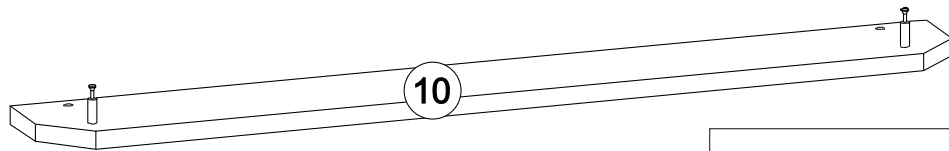
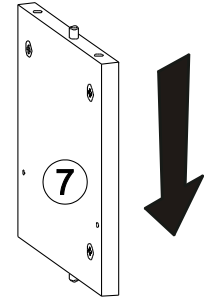
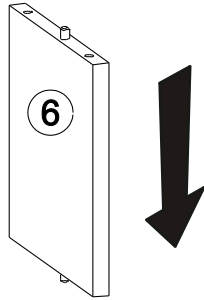
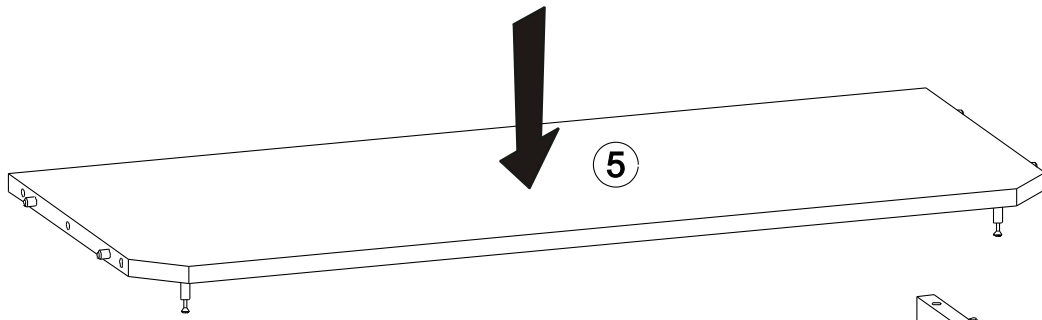
1 ▶



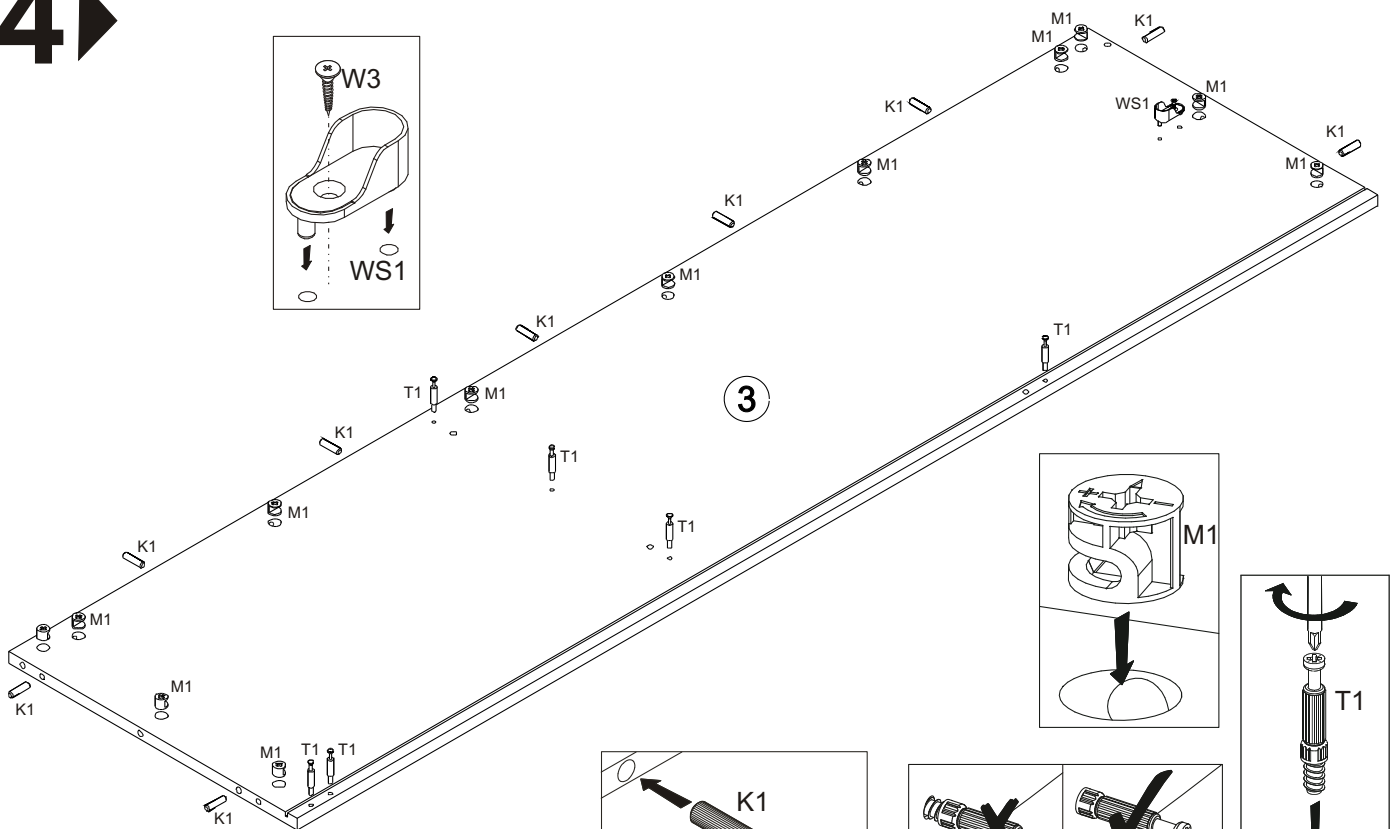
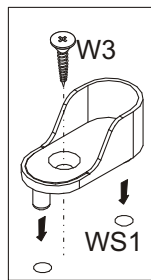
2 ▶



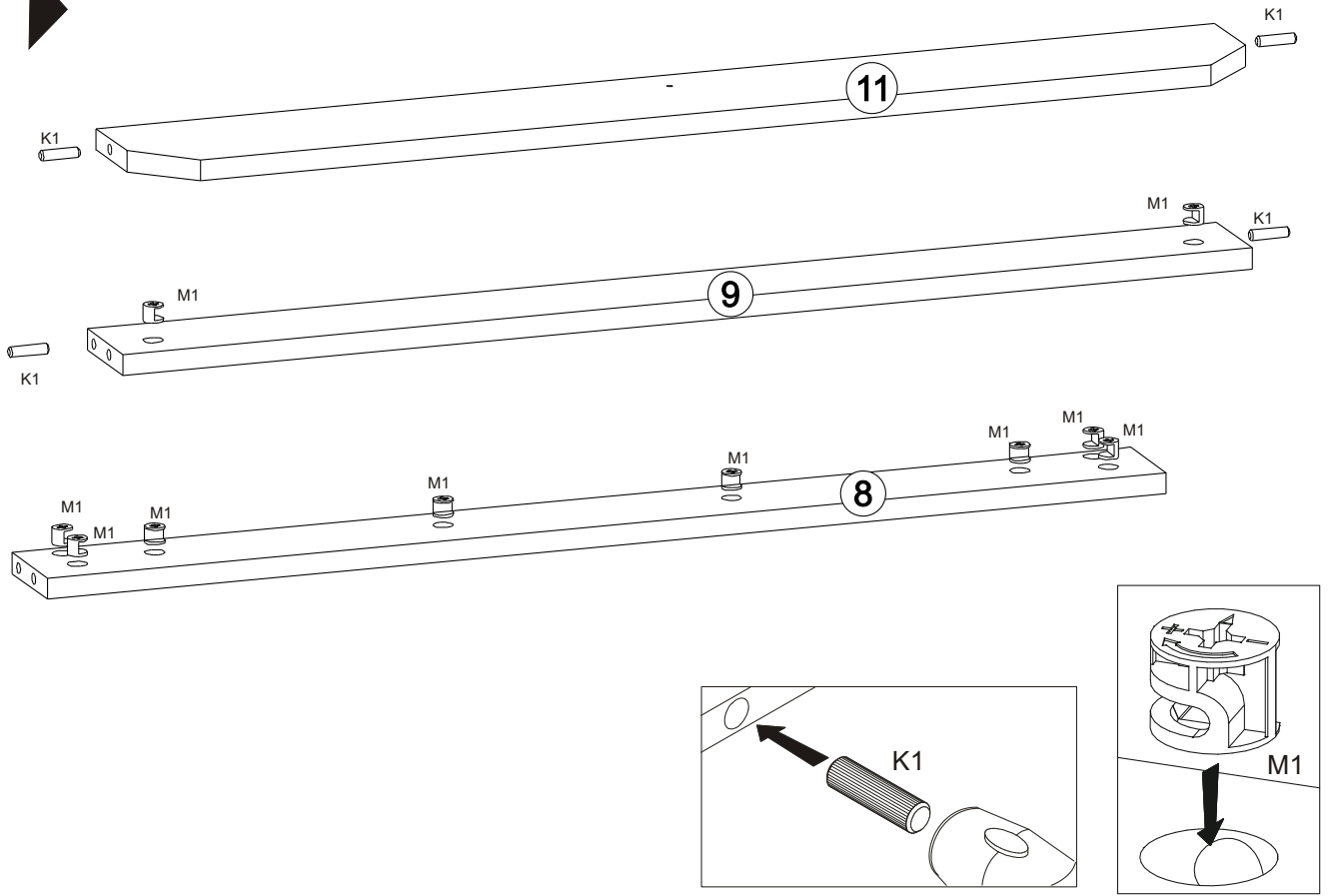
3 ▶



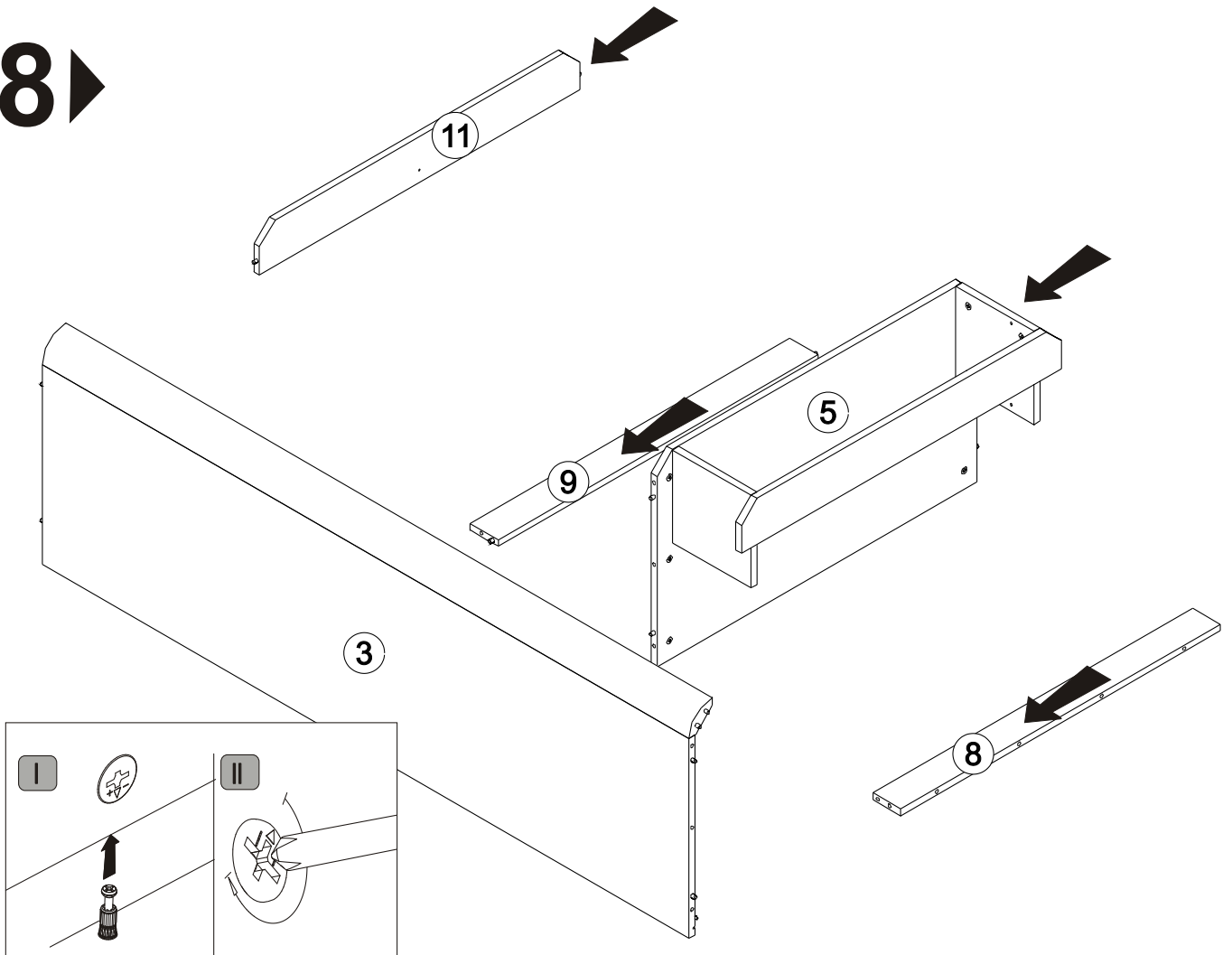
4 ▶



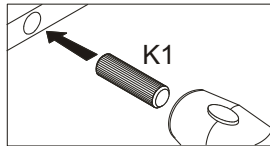
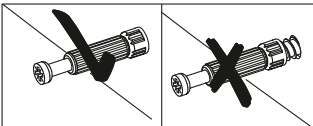
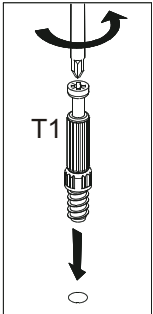
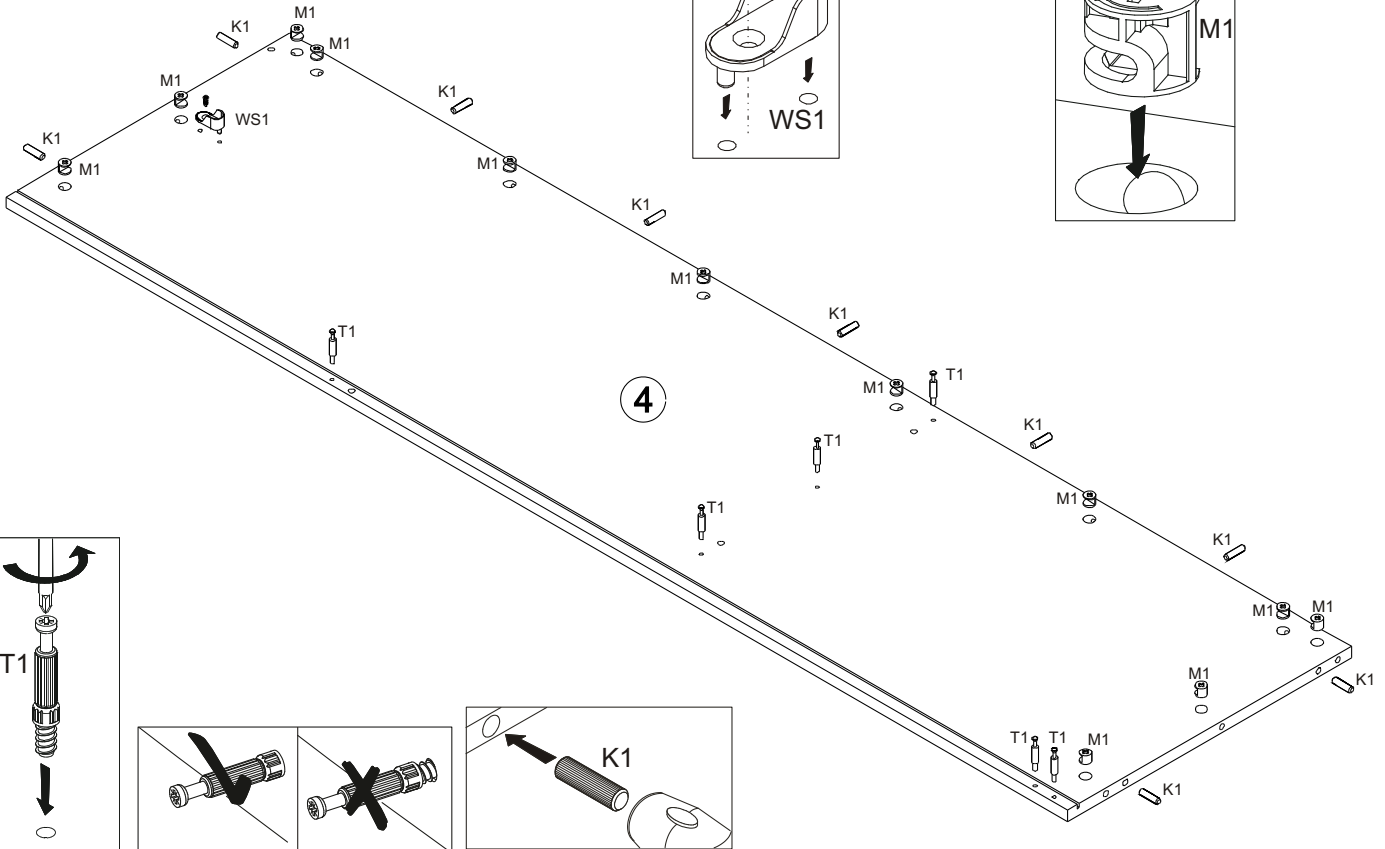
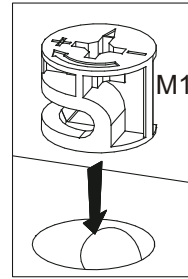
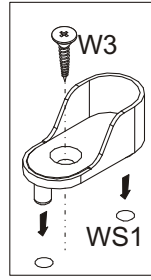
7 ▶



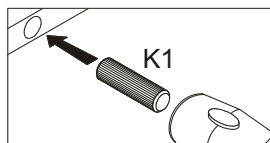
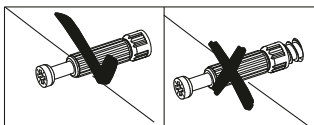
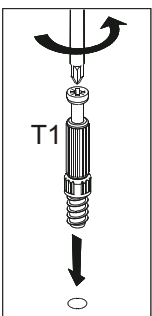
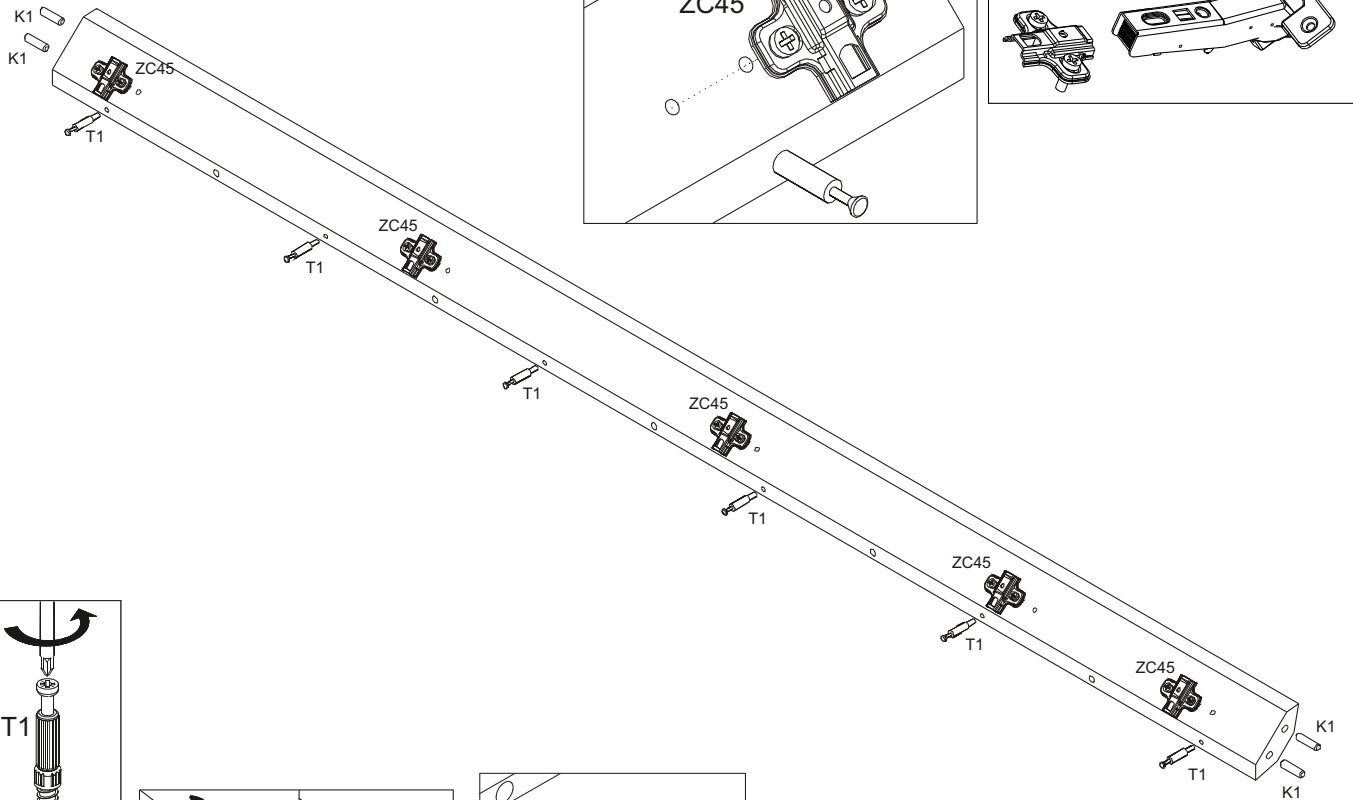
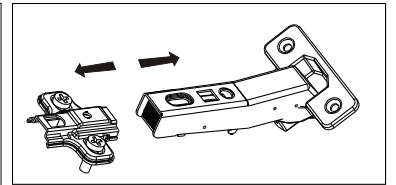
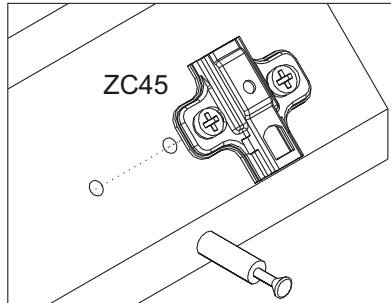
8 ▶



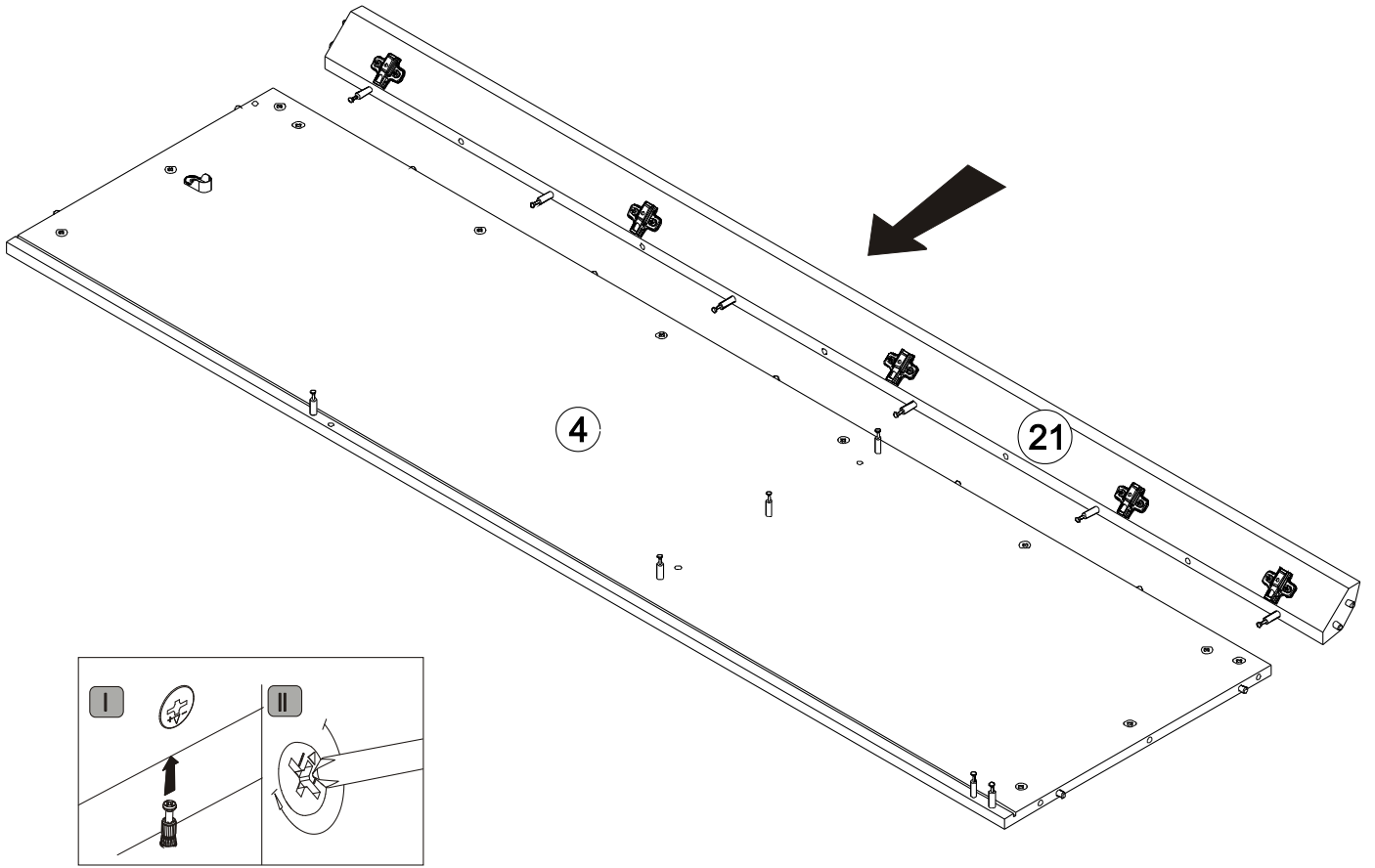
9



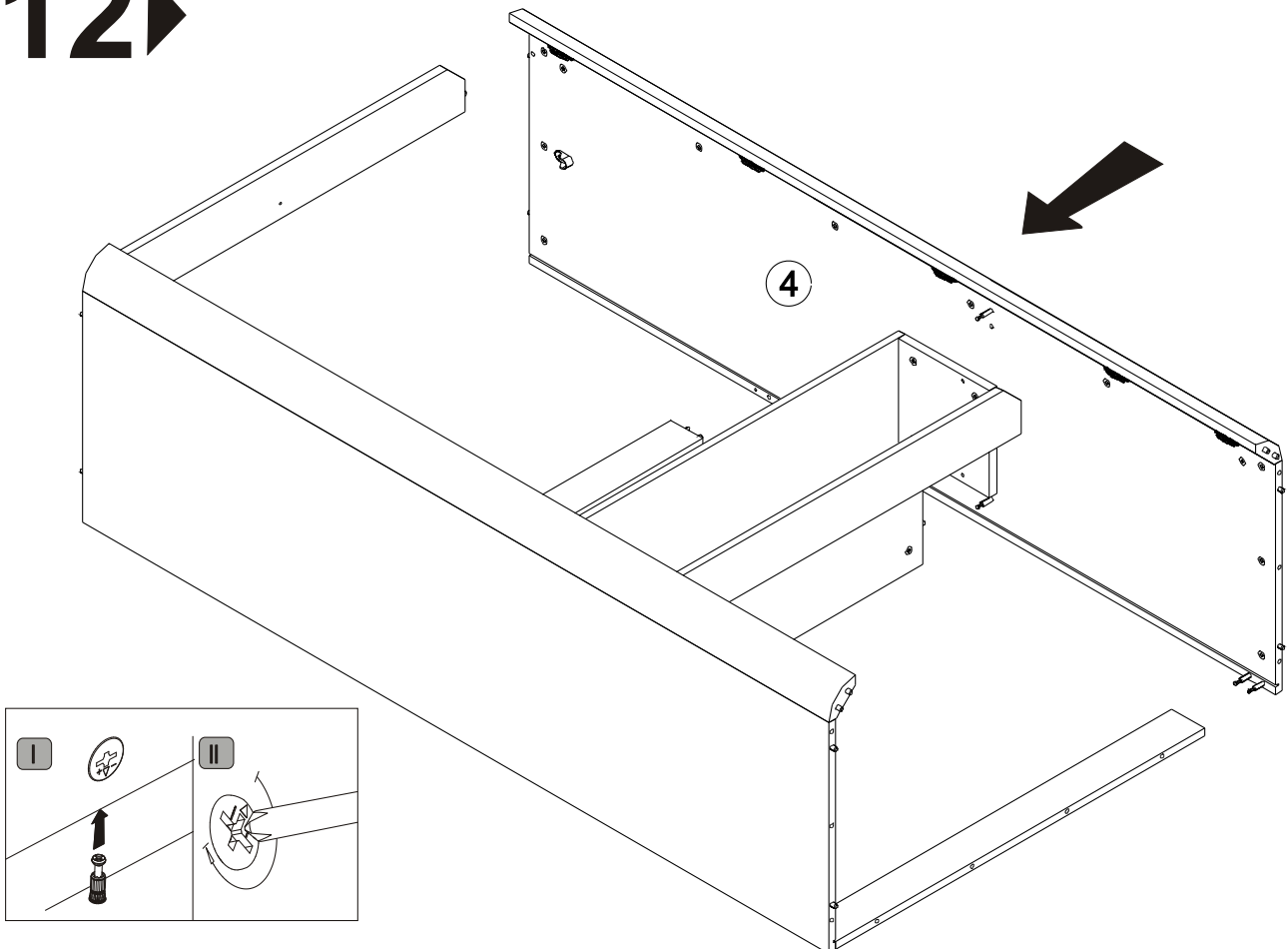
10



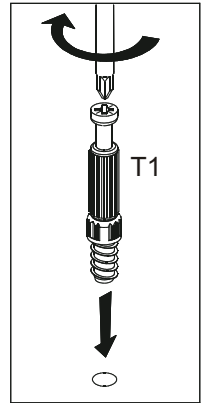
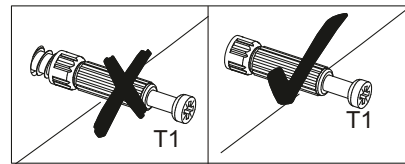
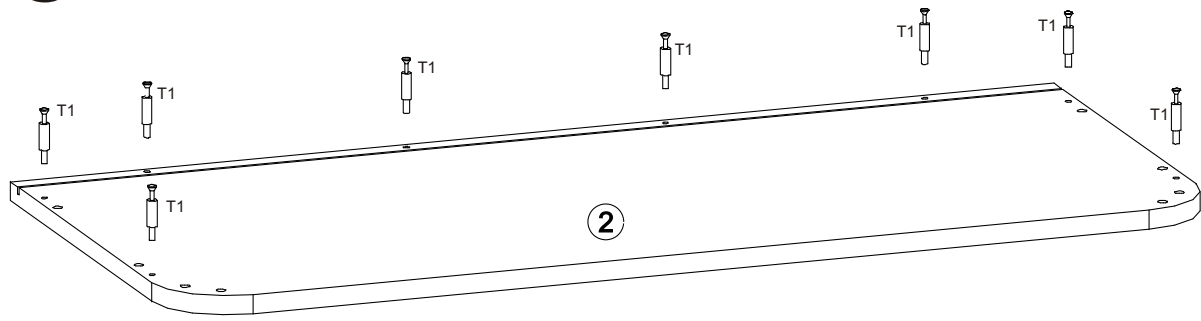
11▶



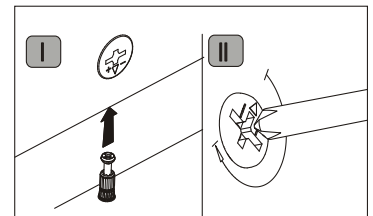
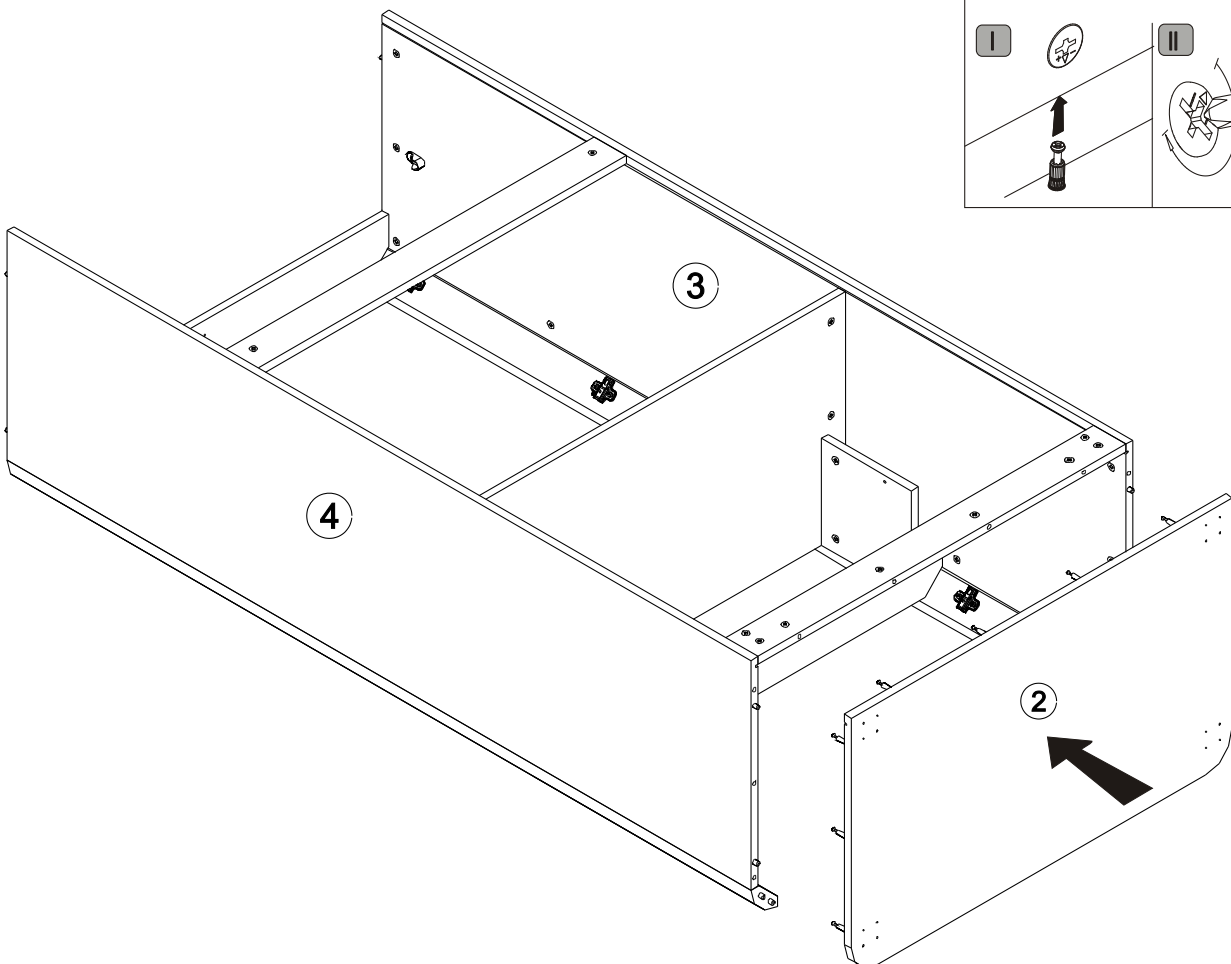
12▶



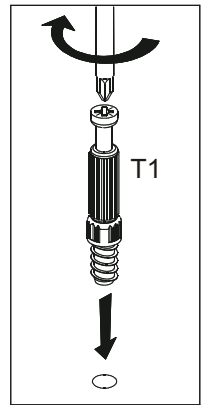
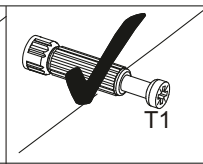
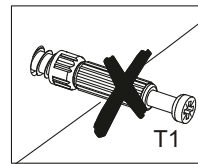
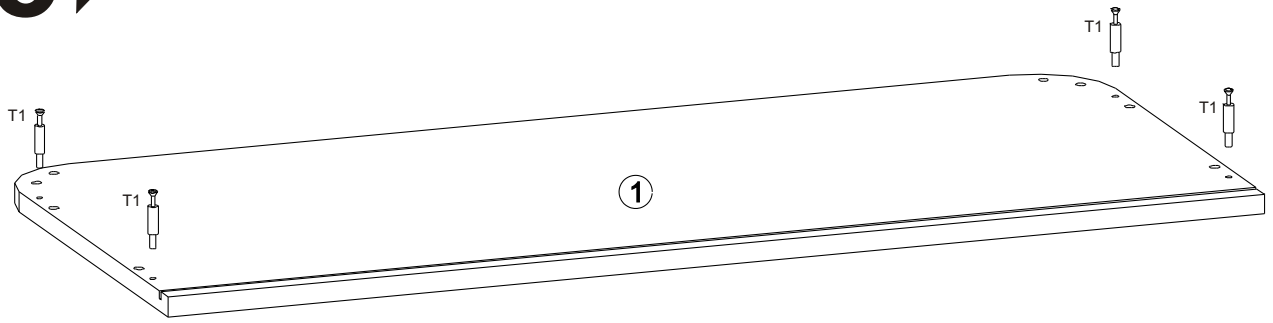
13 ▶



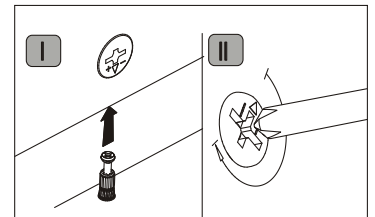
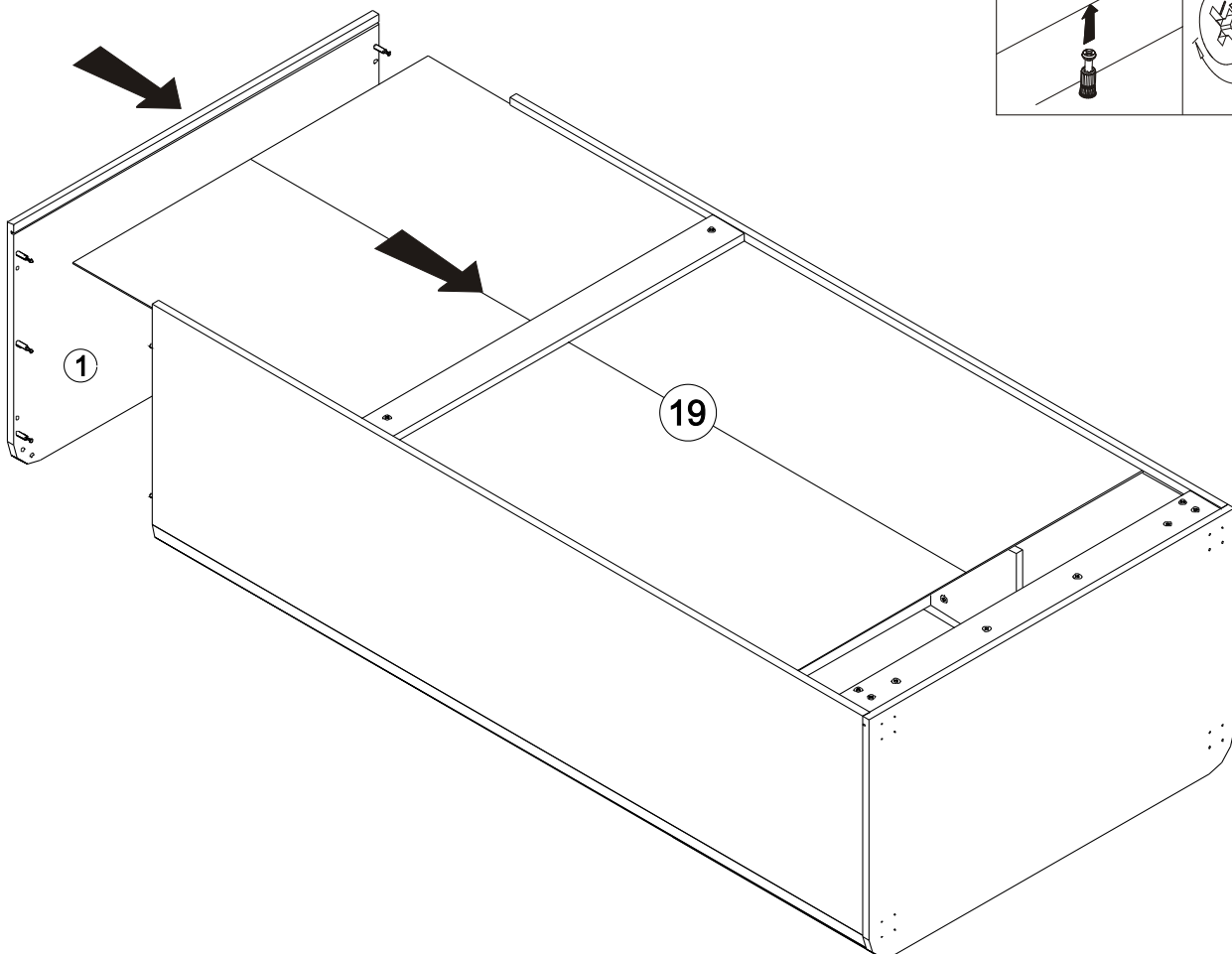
14 ▶



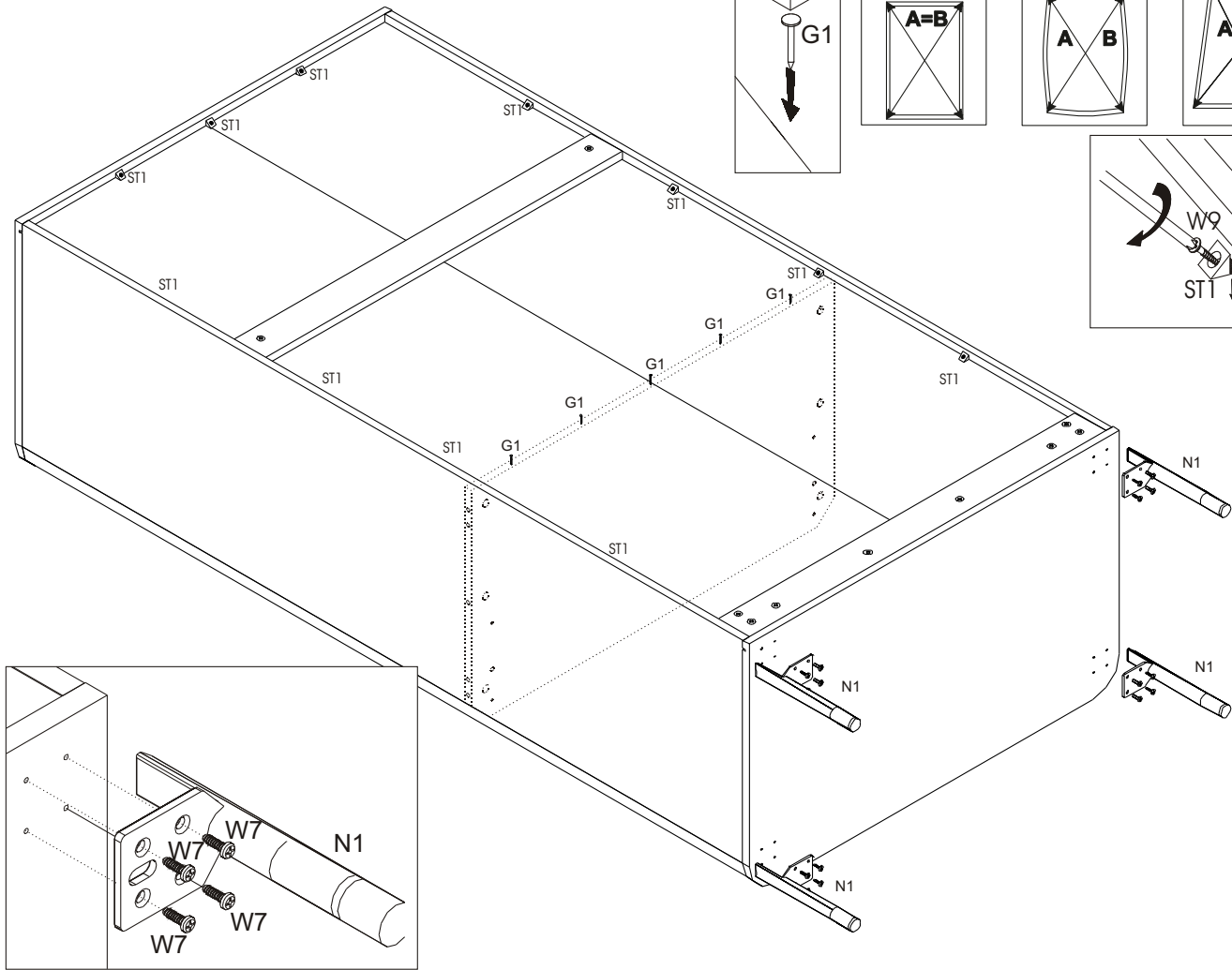
15 ▶



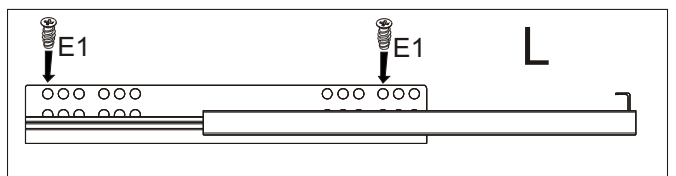
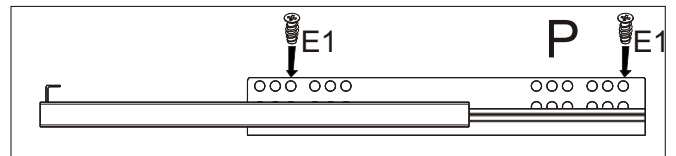
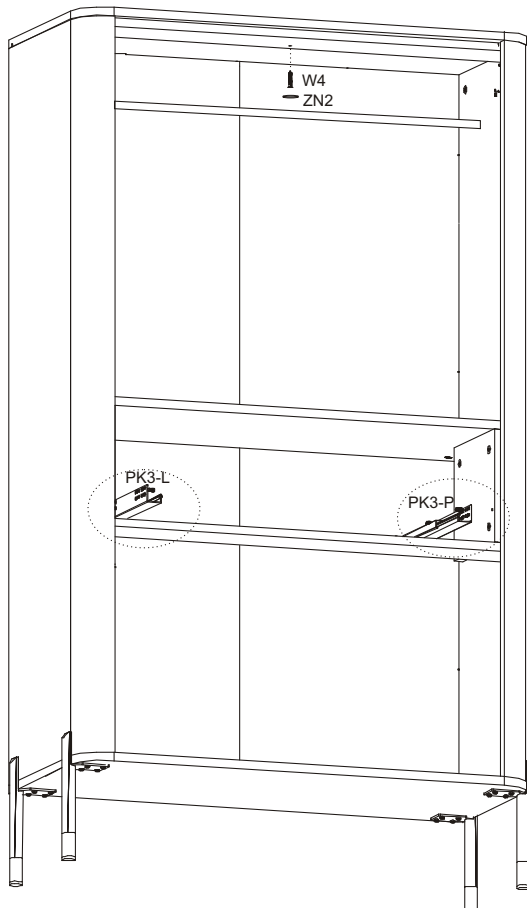
16 ▶



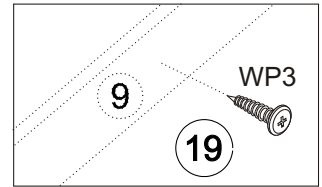
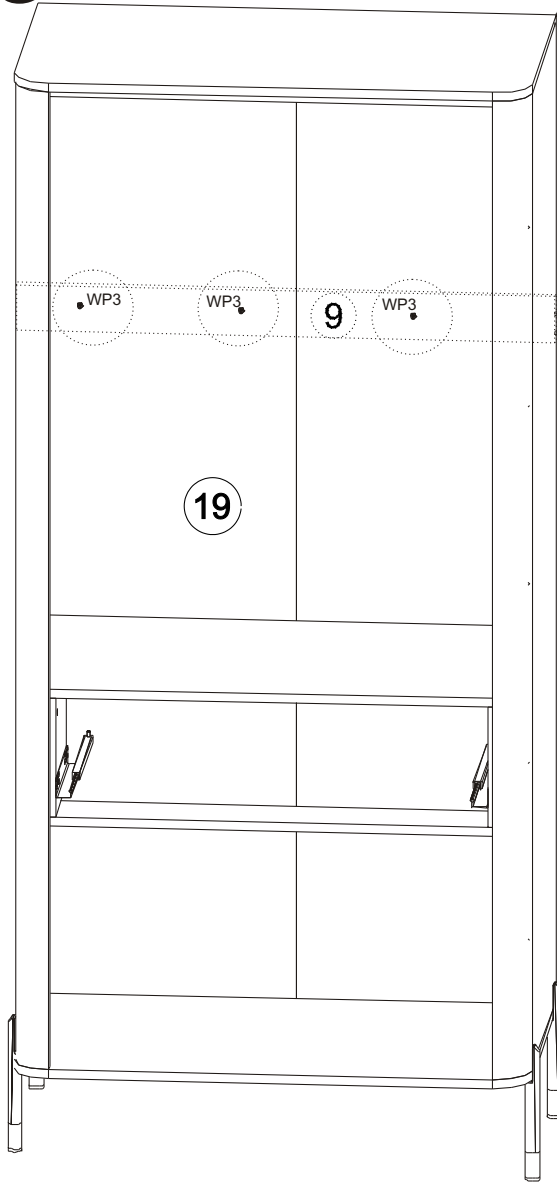
17 ▶



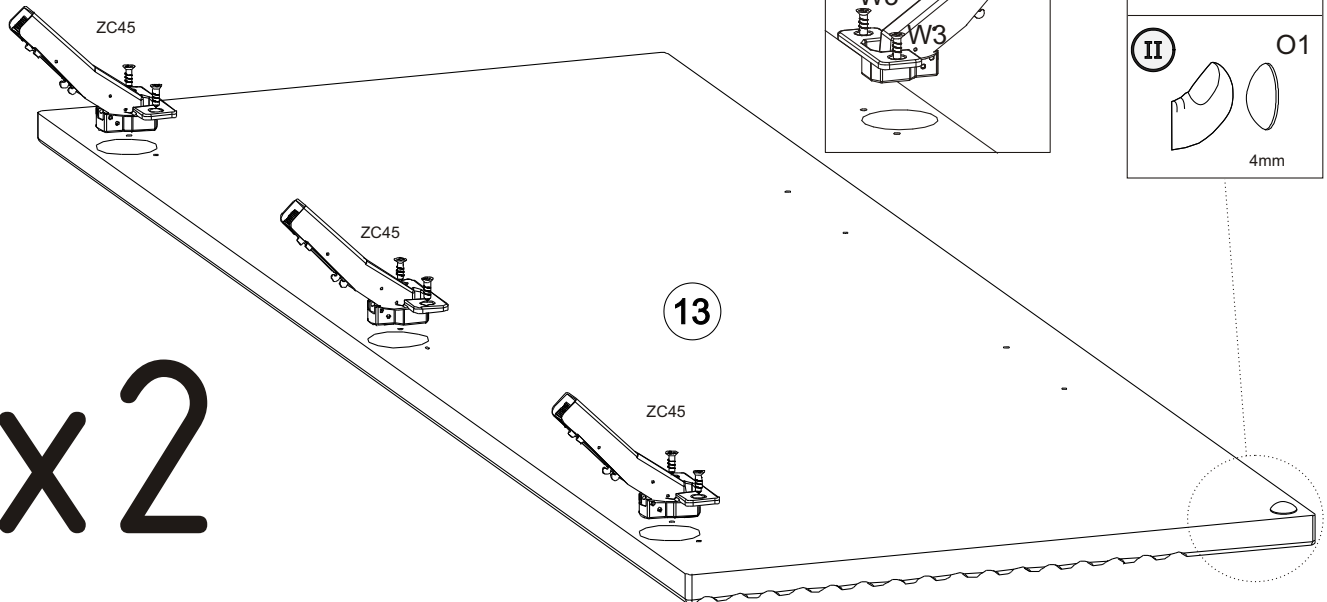
18 ▶



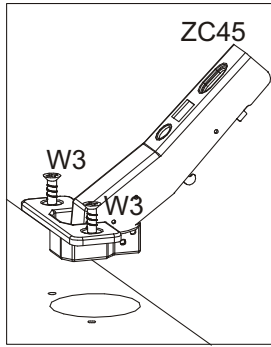
19▶



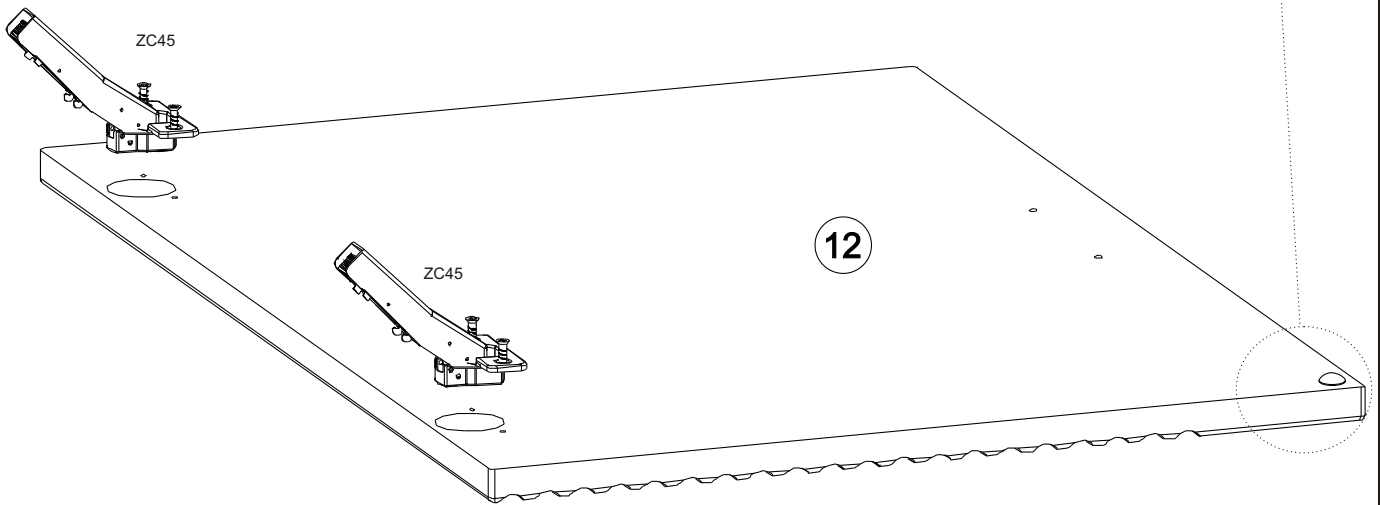
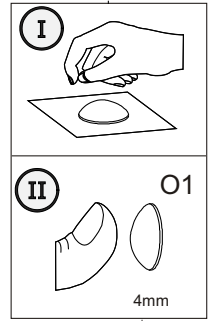
20▶



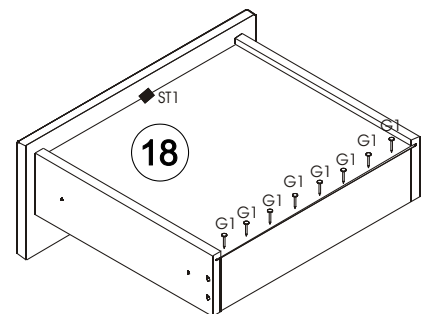
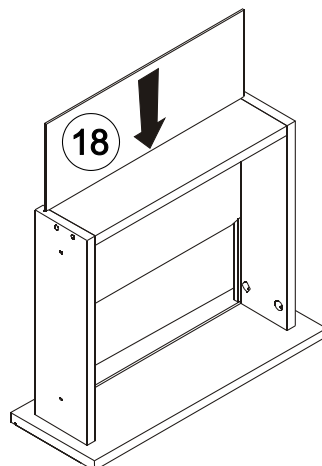
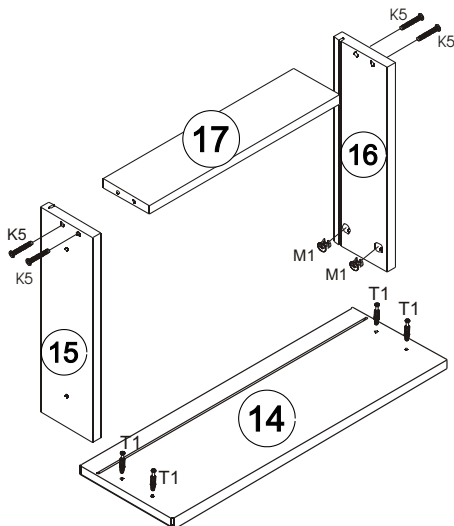
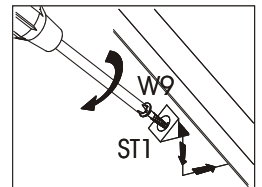
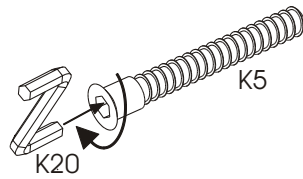
21▶



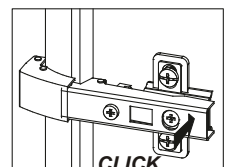
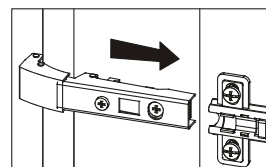
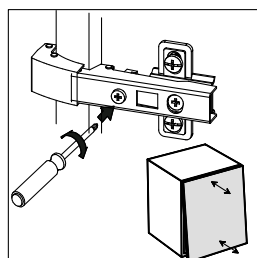
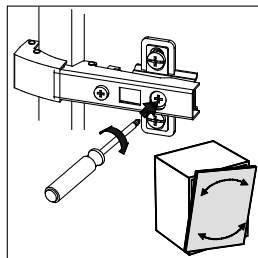
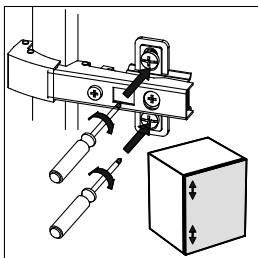
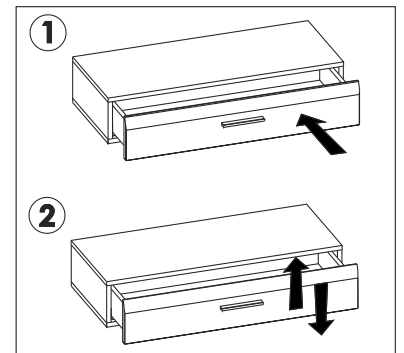
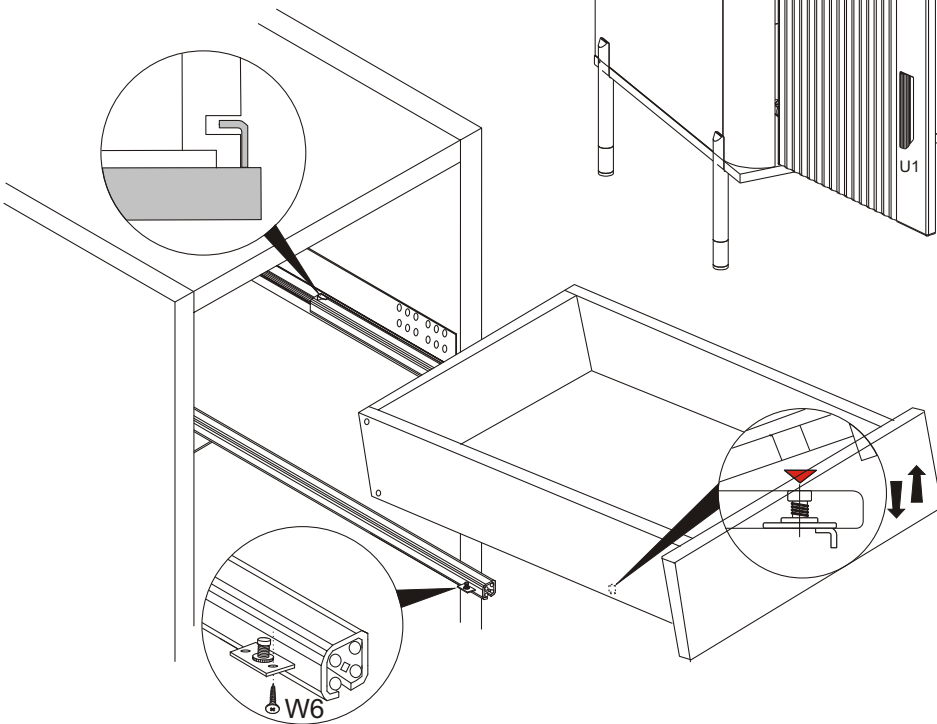
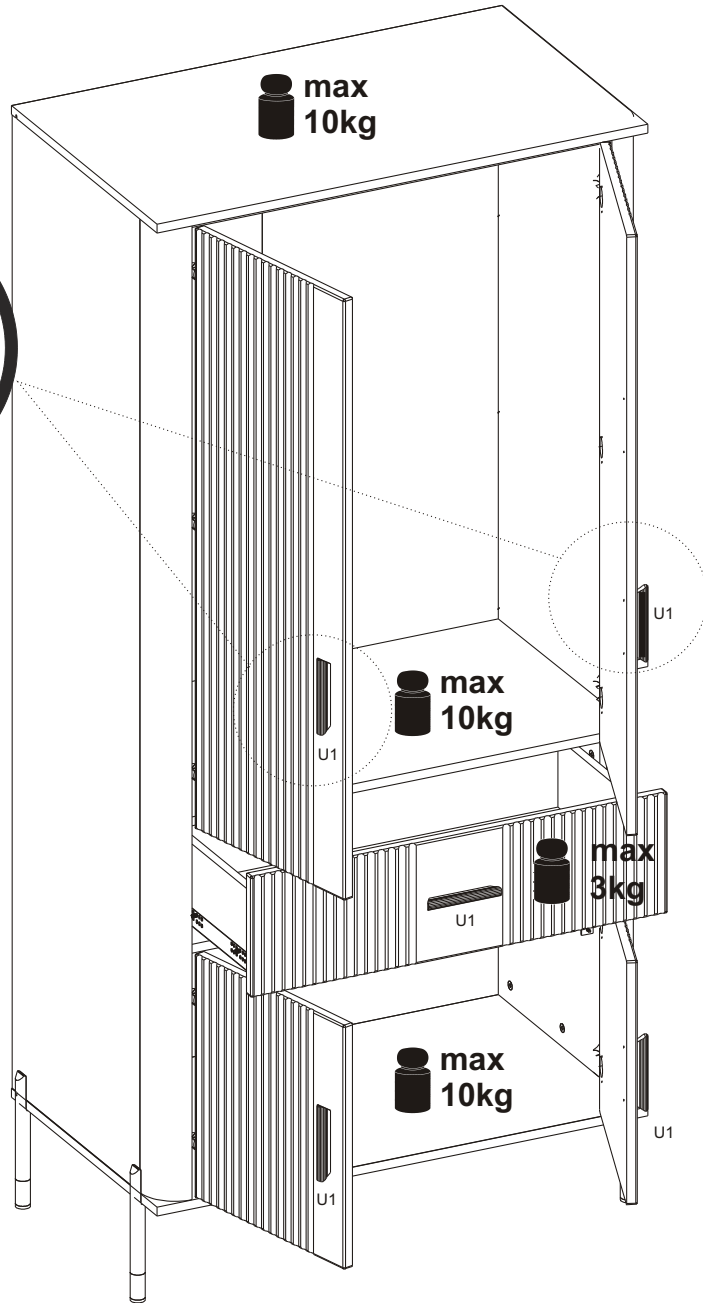
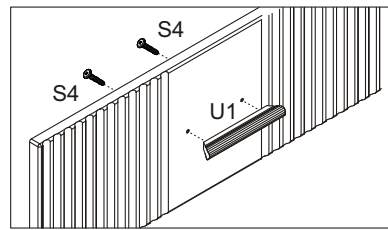
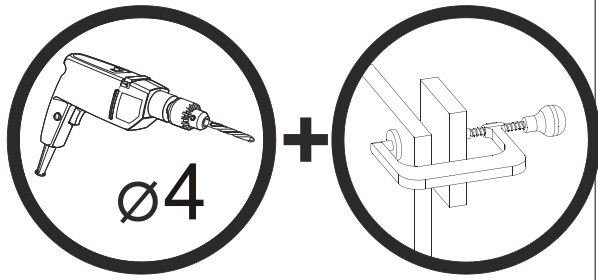
x2



22▶



23 ▶



24 ▶

