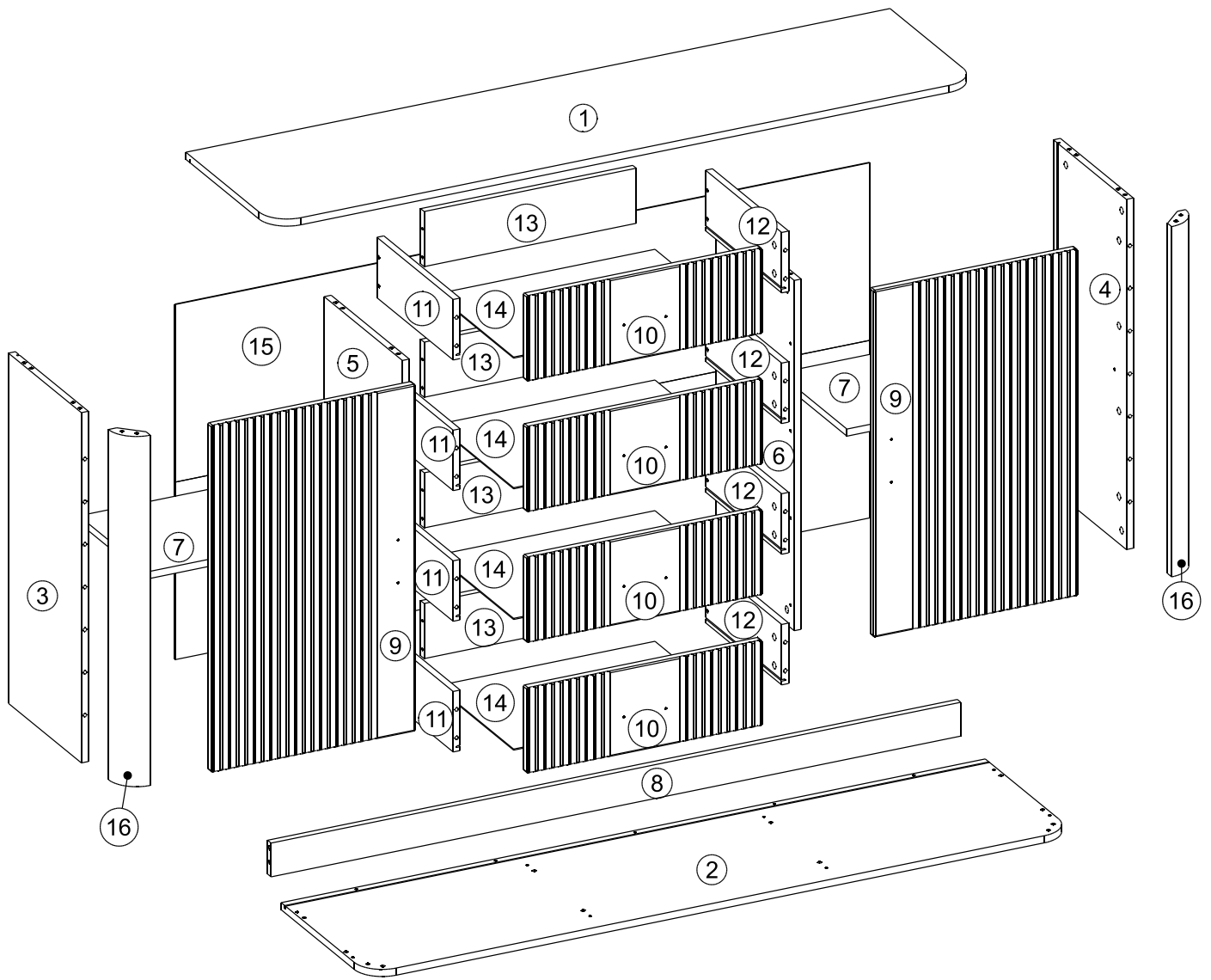
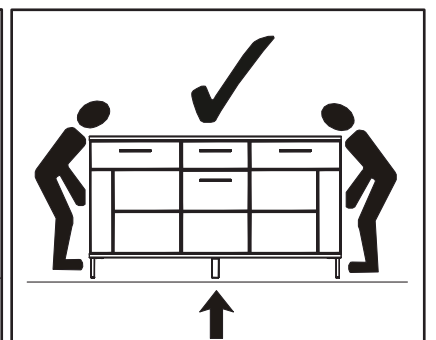
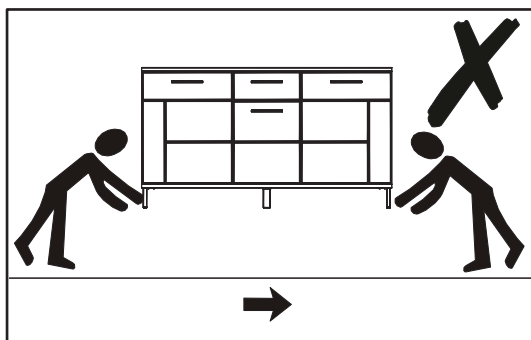
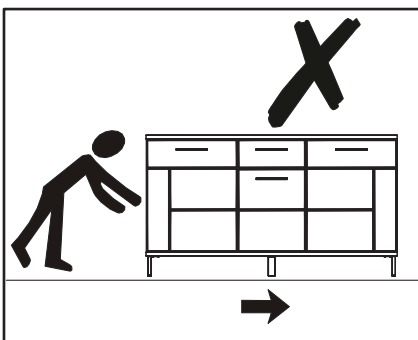
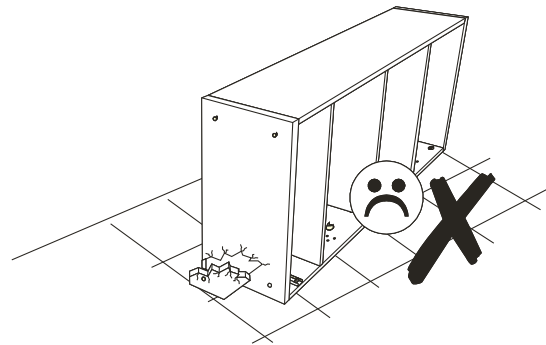
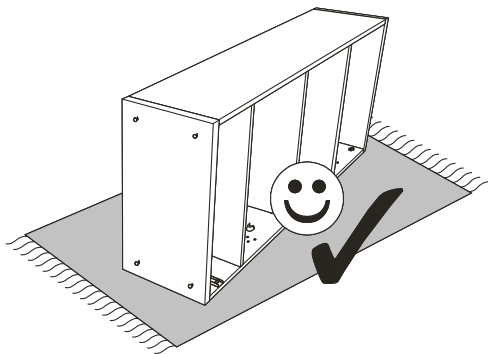
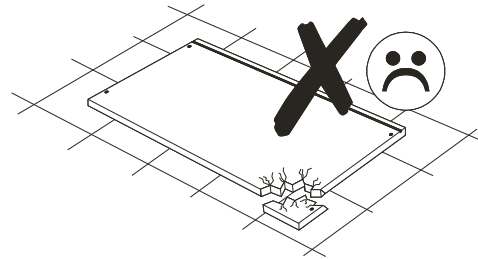
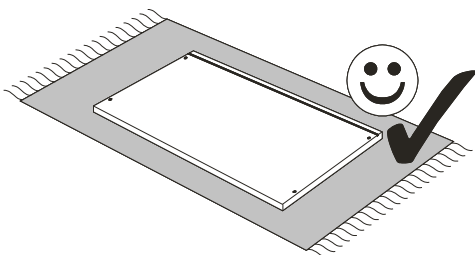
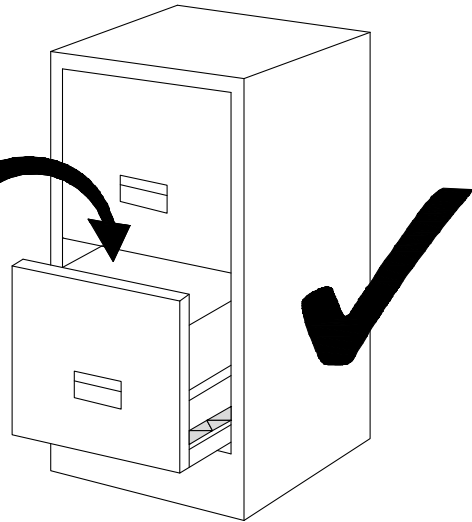
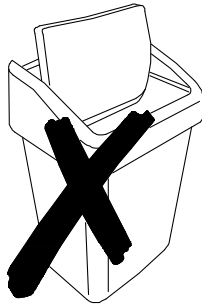
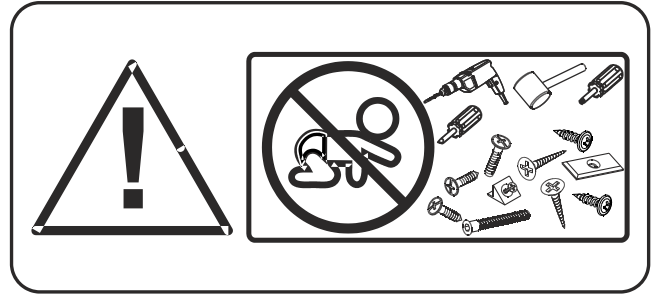
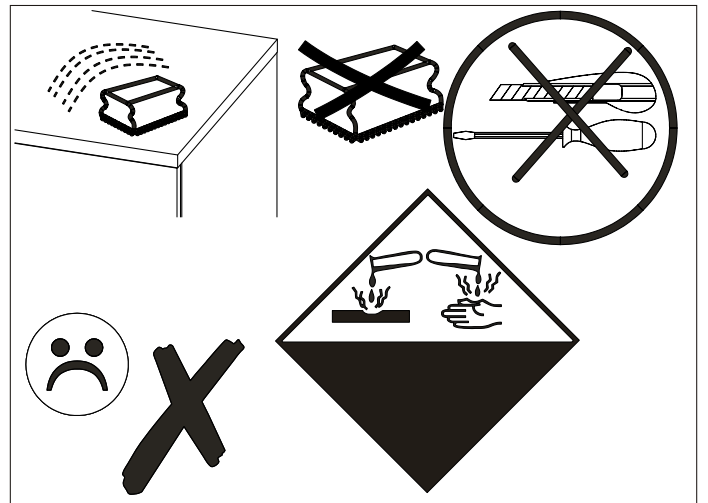
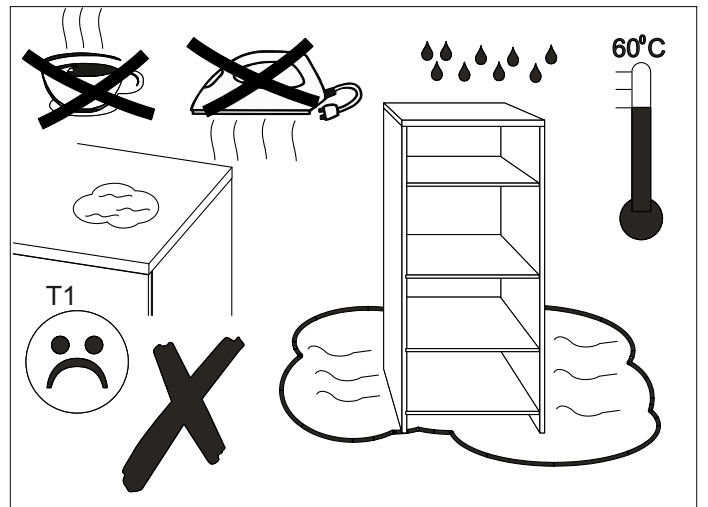
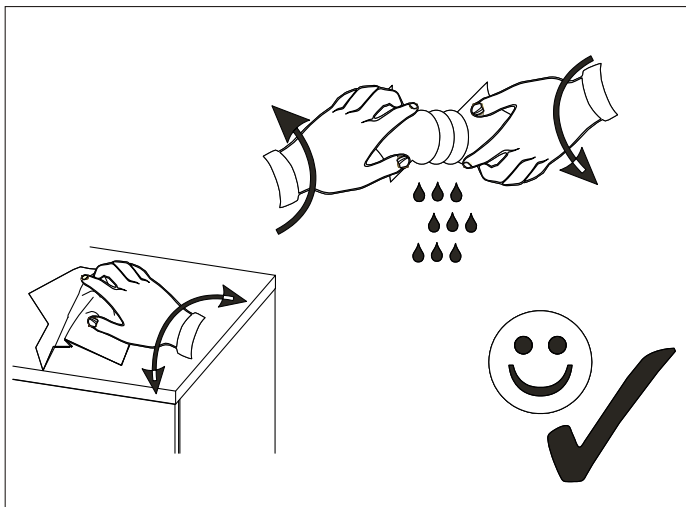
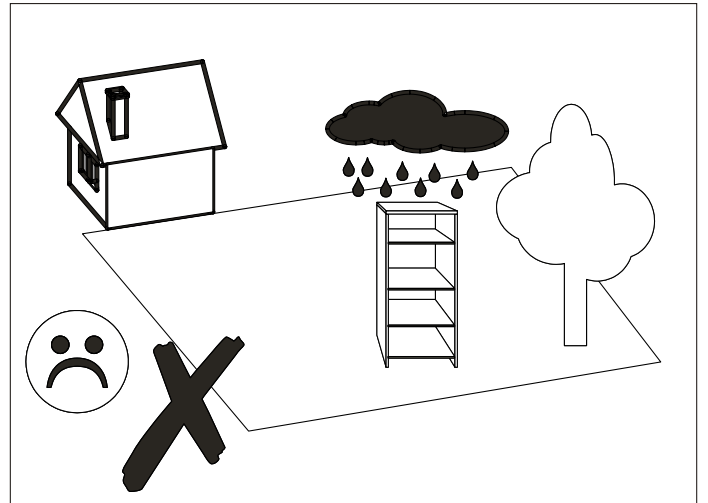
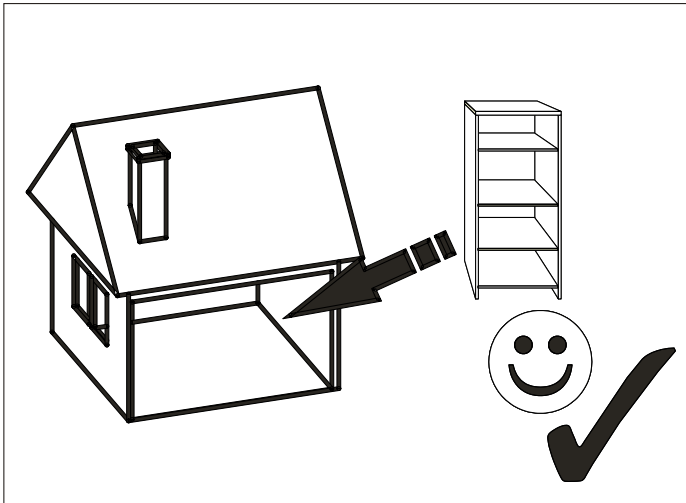


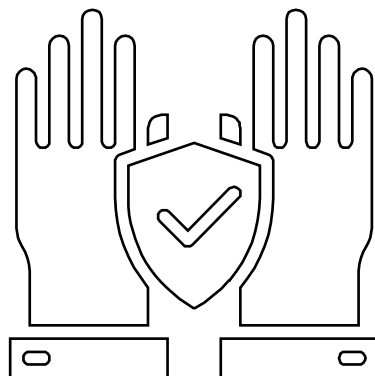
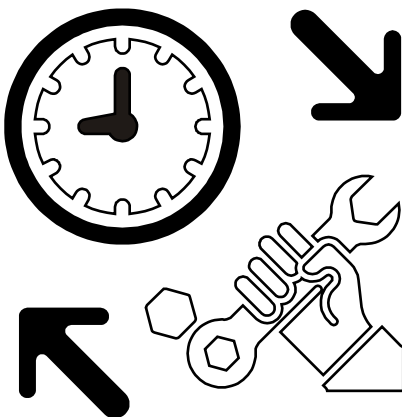
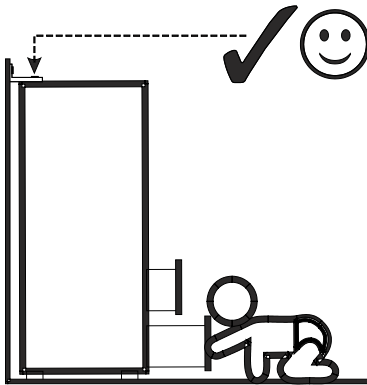
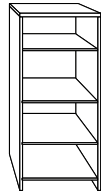
4x ZC45	8x 3.5x13 W3	8x B1	12x M4x24 S4	
32x #20/863 ZN1	1x N2	11x ST1	4x #350L PK3	4x #350P PK3
11x 3x20 W9	4x N1	8x 3x16 W6		
16x 6.4x50 K5	30x 8x30 K1	6x U 1	1x K20	49x #15/15 cam bolt"/> #15/15 M1
49x DU232T T1	20x 4,5x16 W7	36x 2x20 G1	16x 6x12 E1	



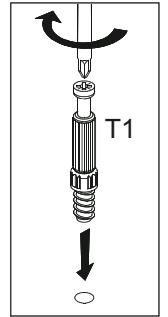
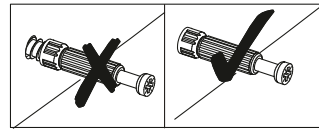
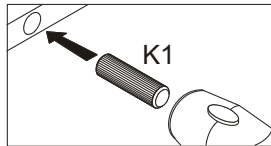
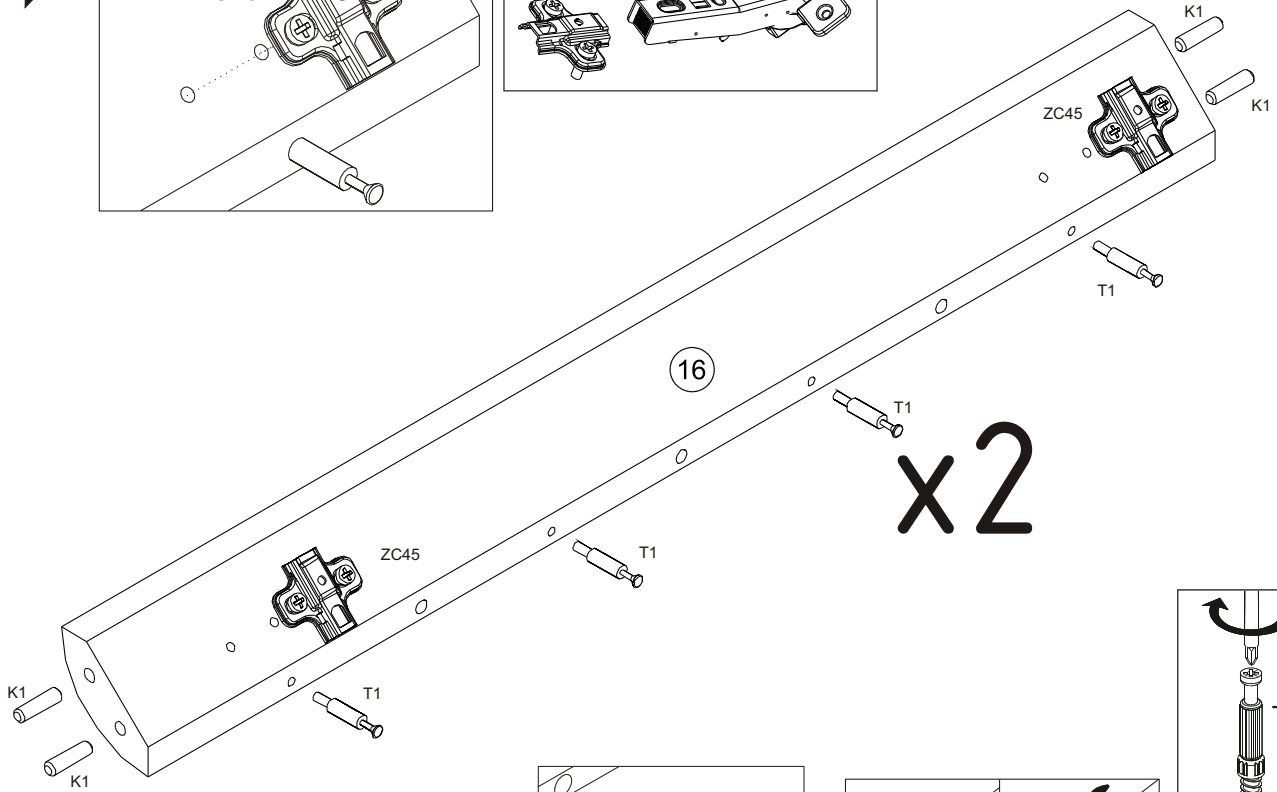
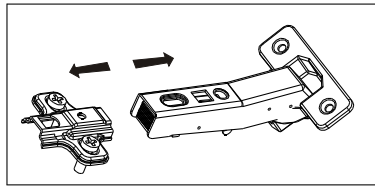
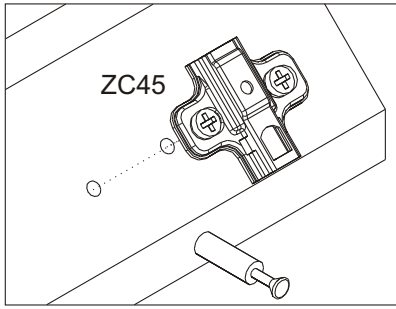
8	1584x76	1/5	16	788x90.5	2/5
7	511x312	2/5	15	1595x79	1/5
6	788x359	2/5	14	355x502	1/5
5	788x359	2/5	13	487x124	1/5
4	788x335.5	2/5	12	350x136	1/5
3	788x335.5	2/5	11	350x136	1/5
2	1617x400	1/5	10	540x192	3/5
1	1617x400	1/5	9	780x468	3/5



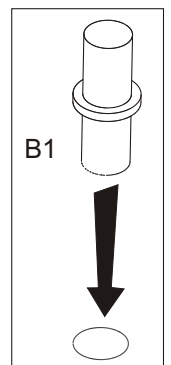
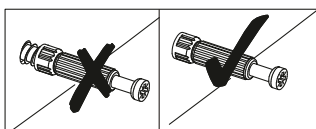
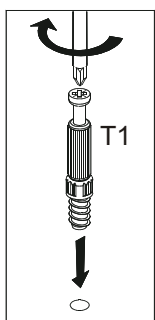
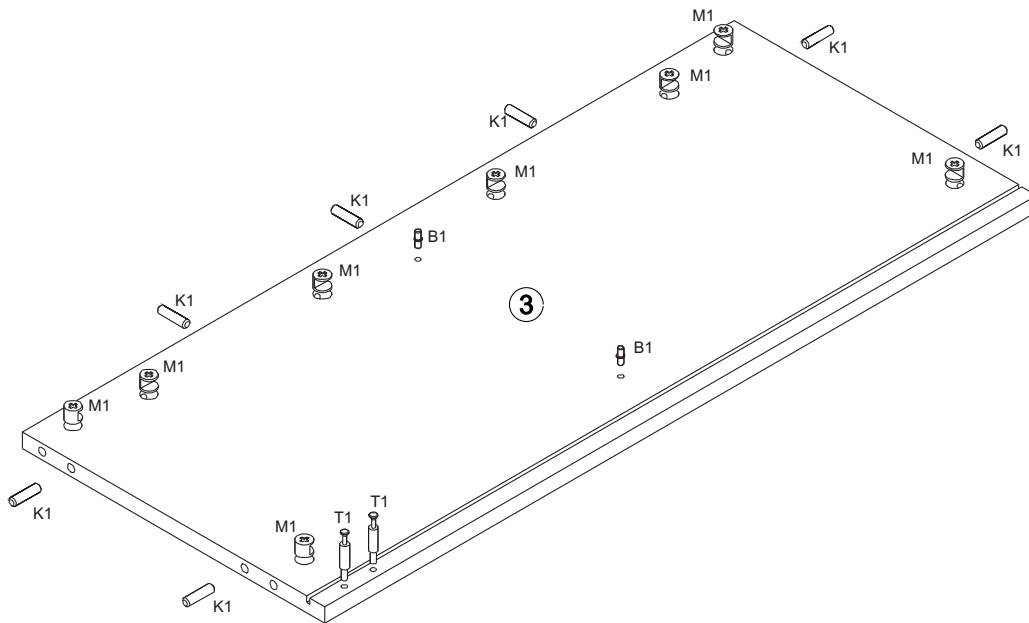
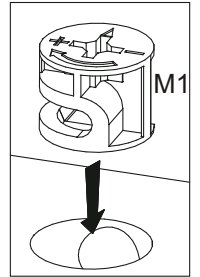
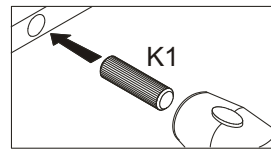




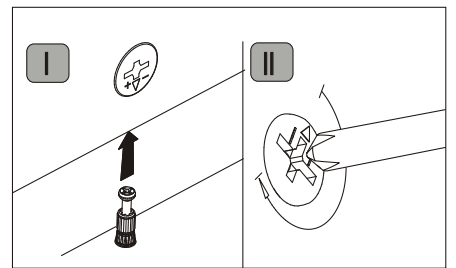
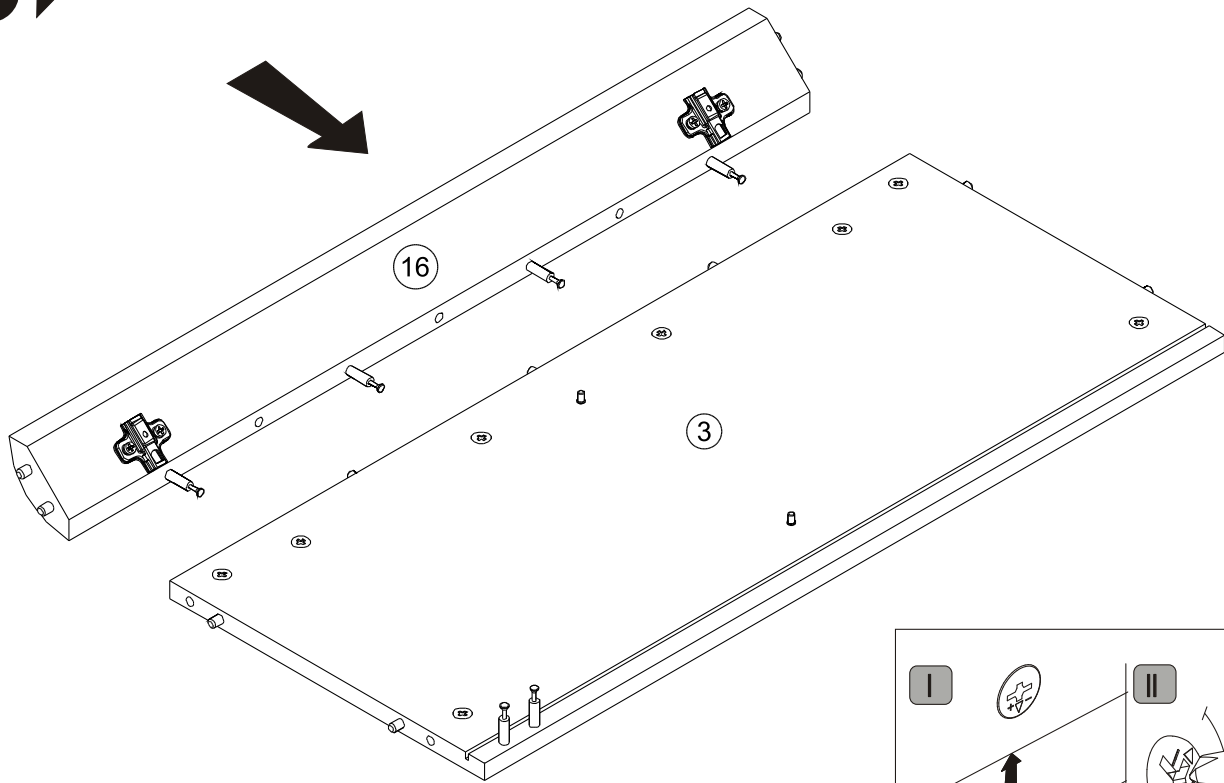
1



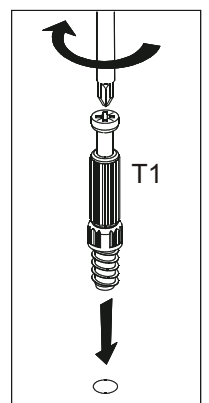
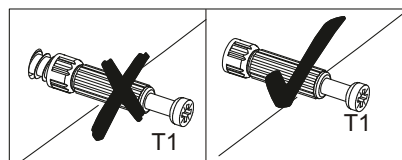
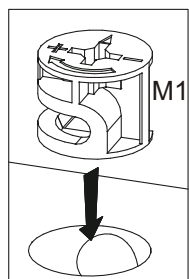
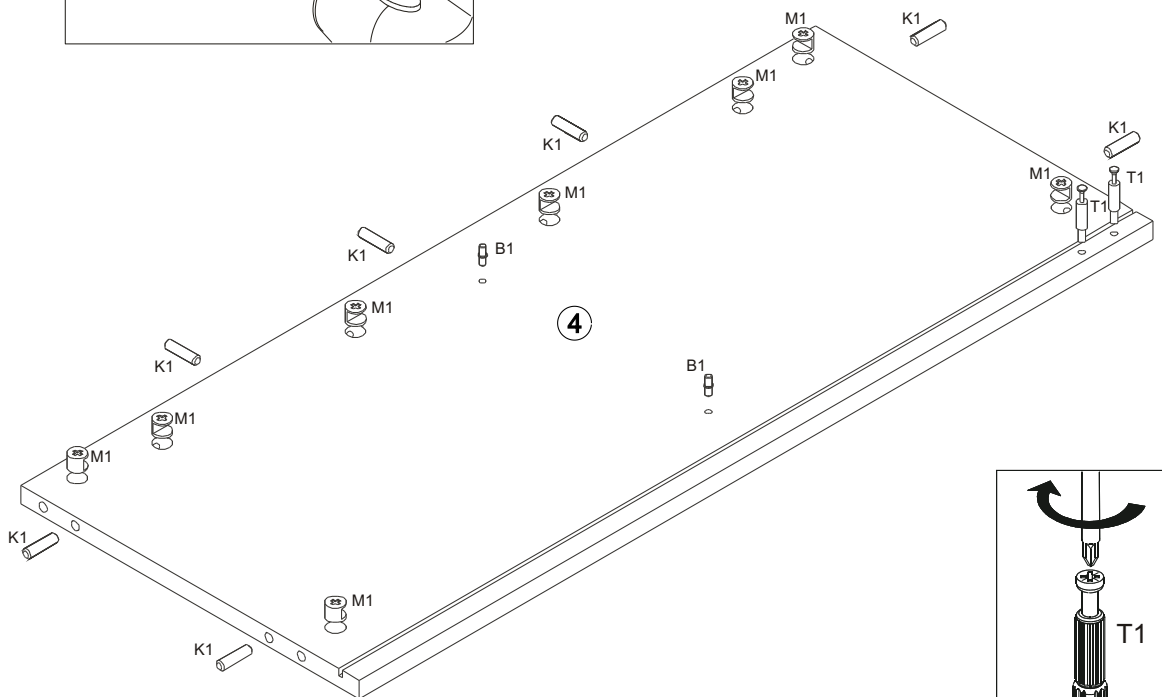
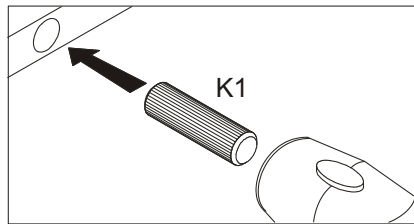
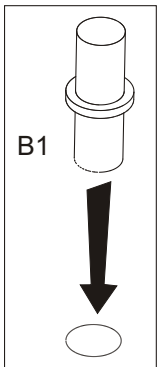
2



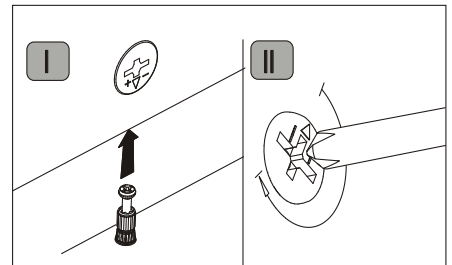
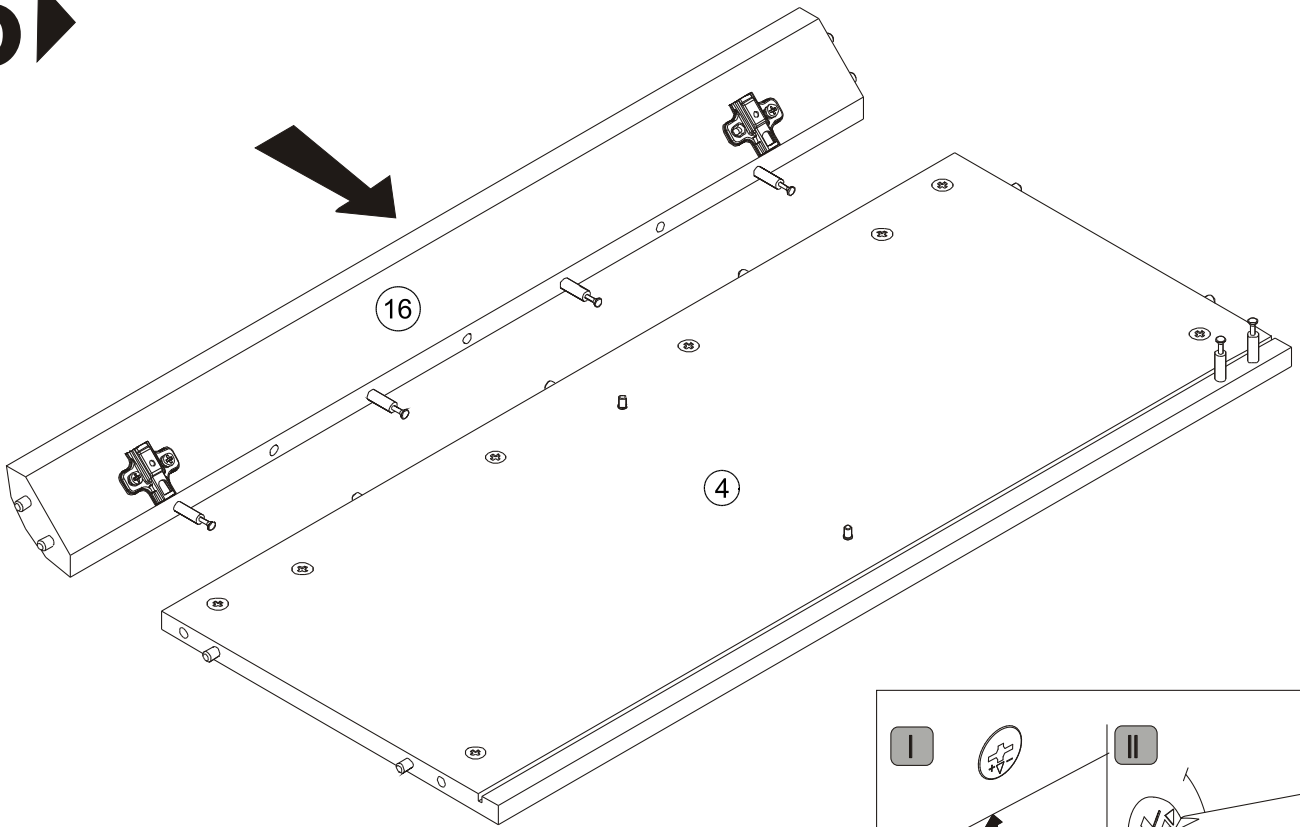
3 ▶



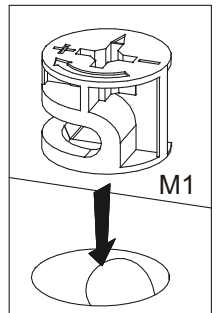
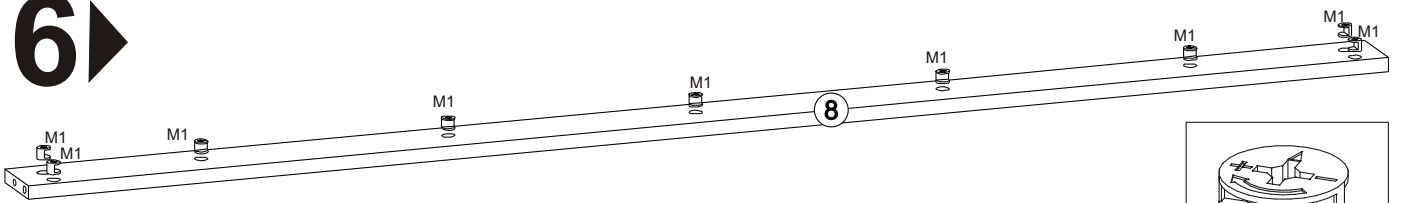
4 ▶



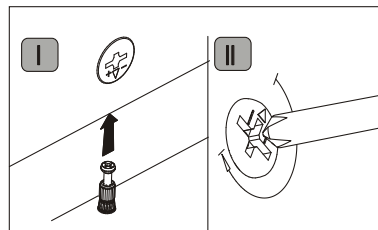
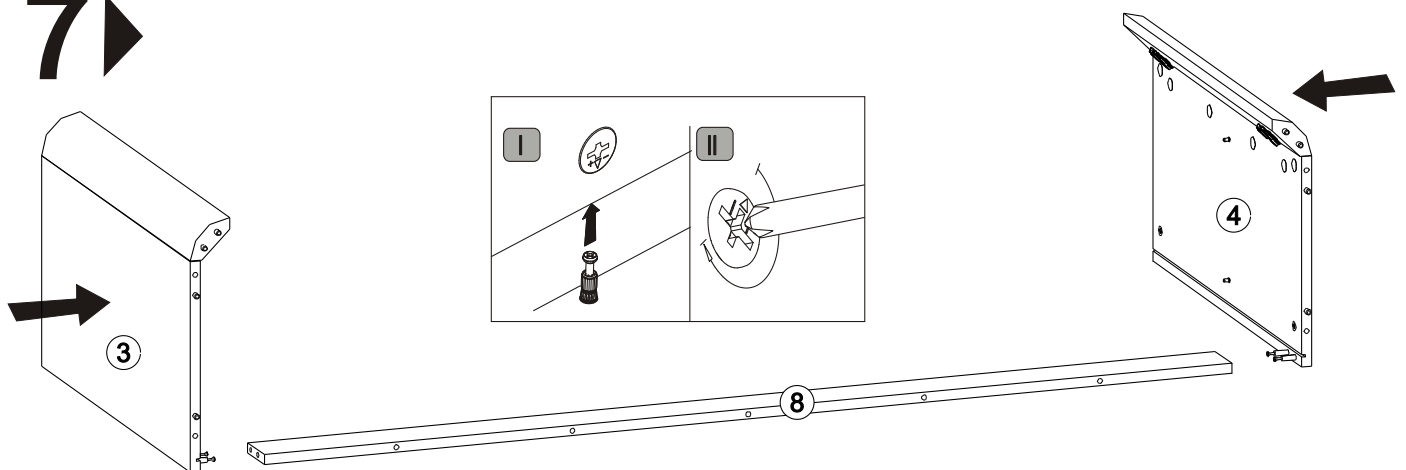
5 ▶



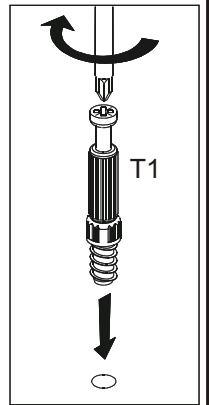
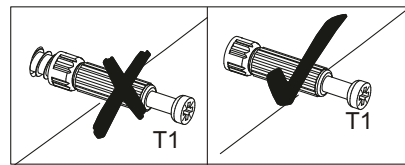
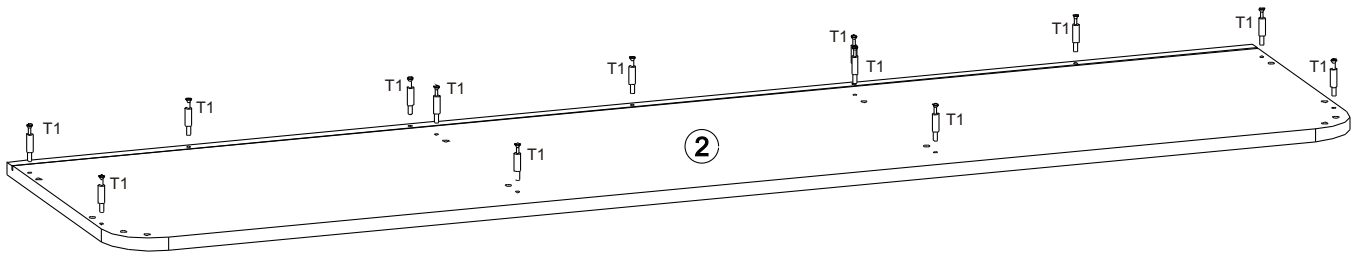
6 ▶



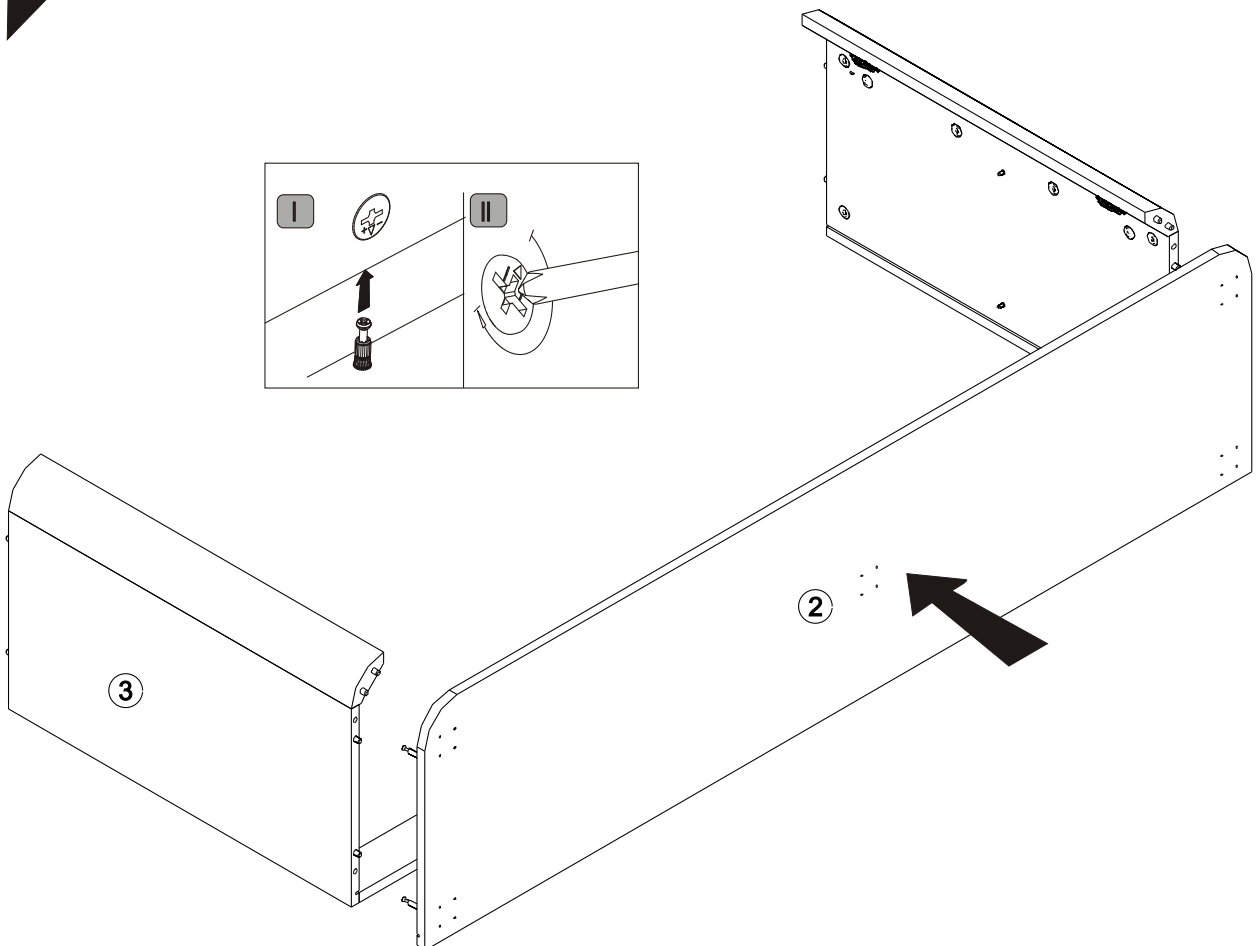
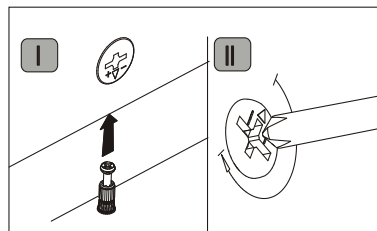
7 ▶



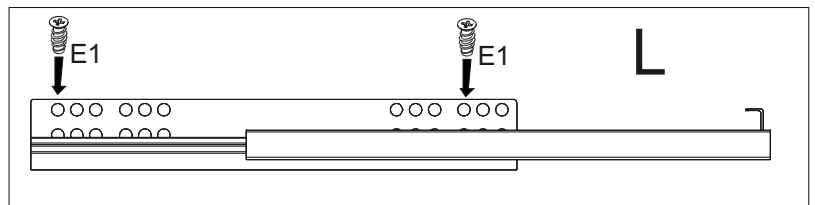
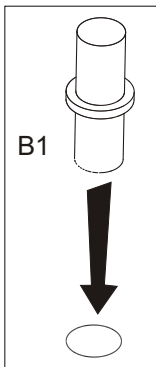
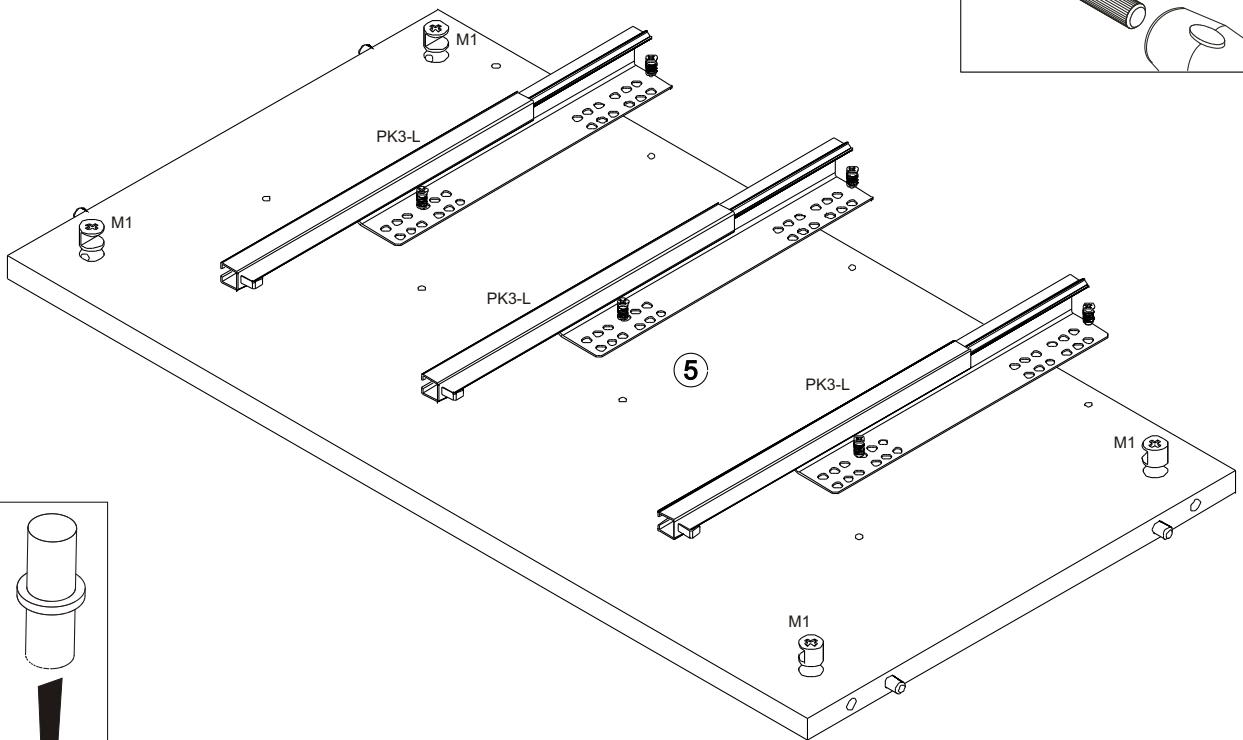
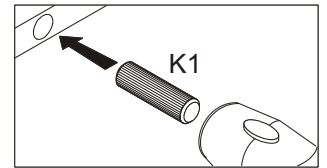
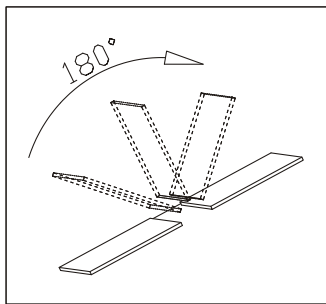
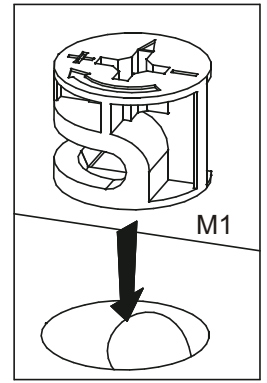
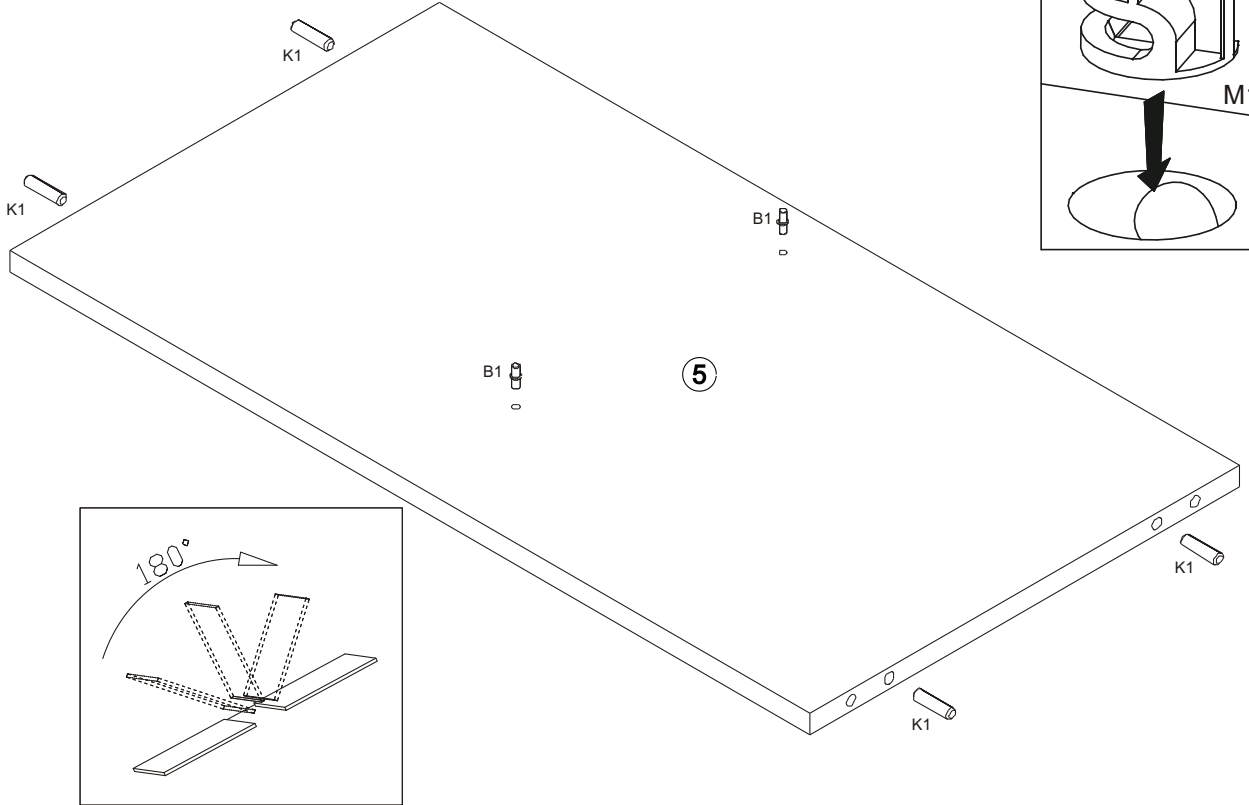
8 ▶



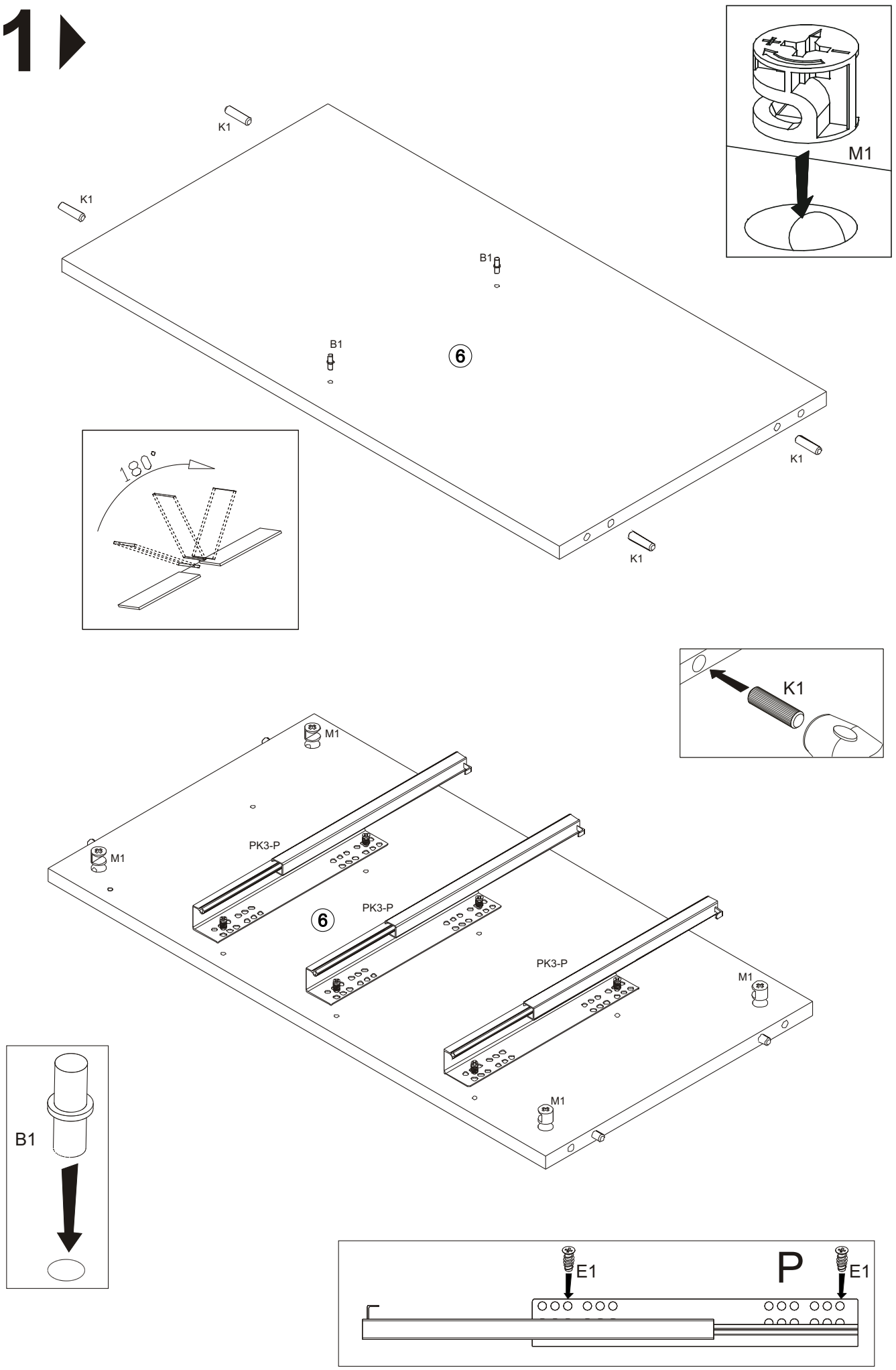
9 ▶



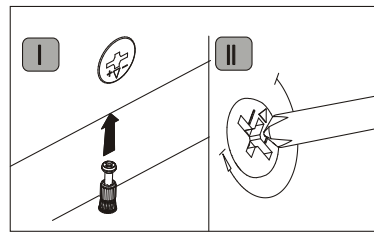
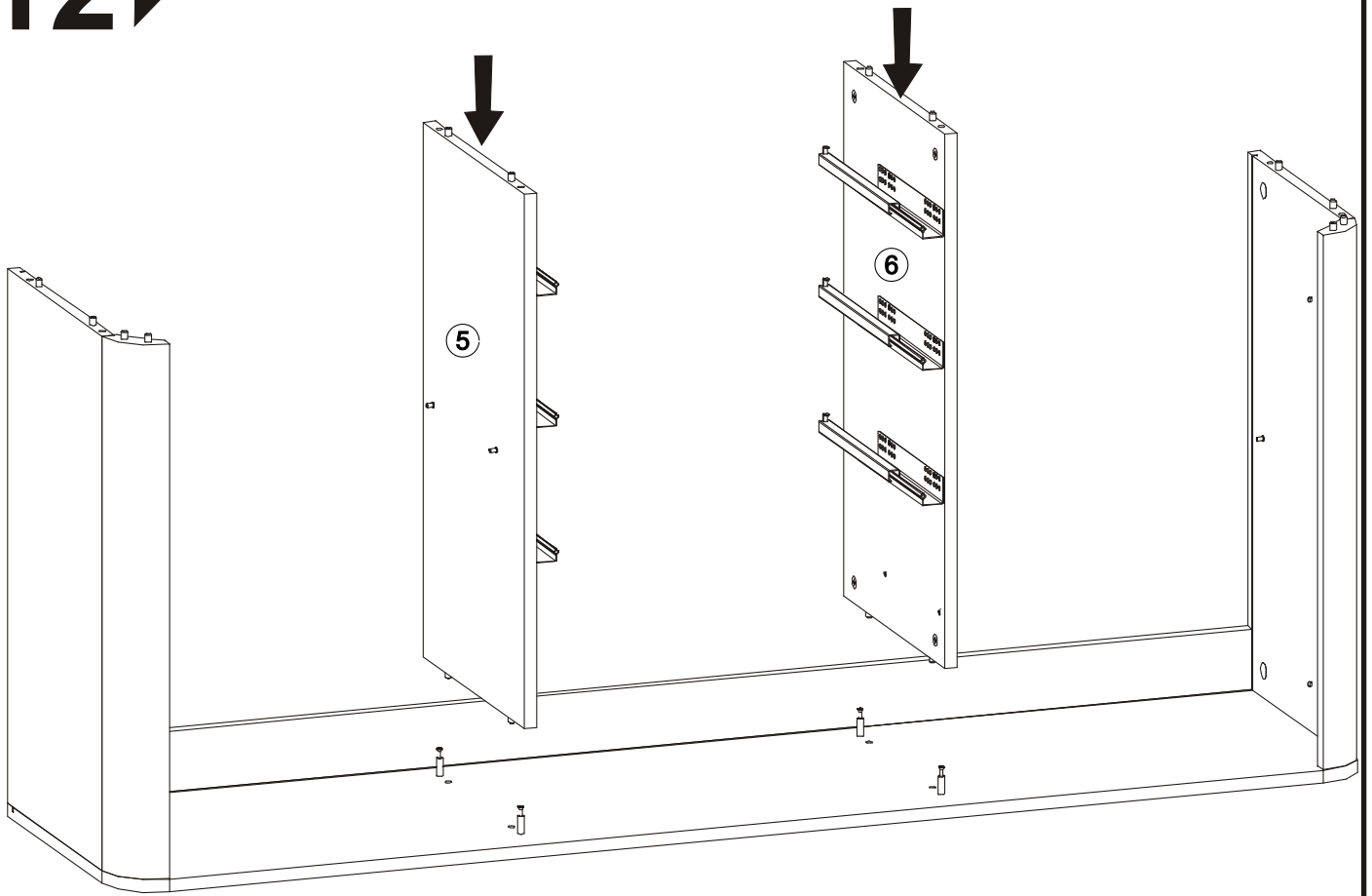
10 ▶



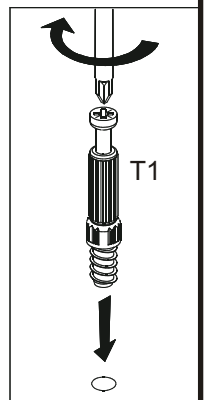
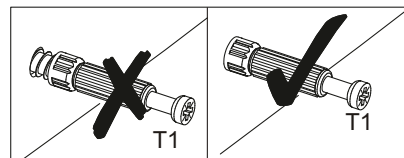
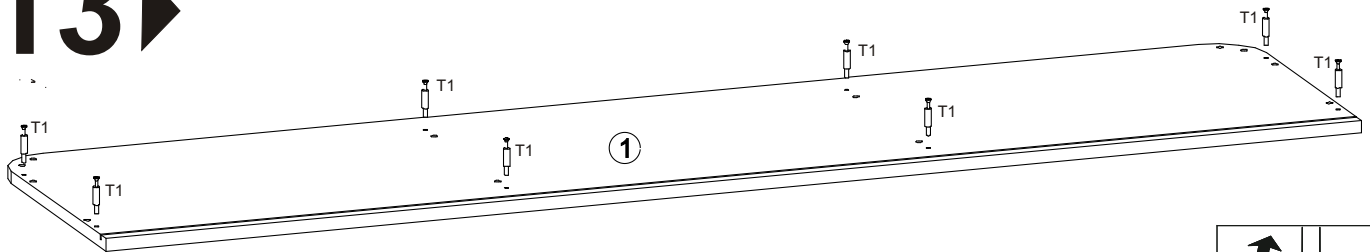
11 ▶



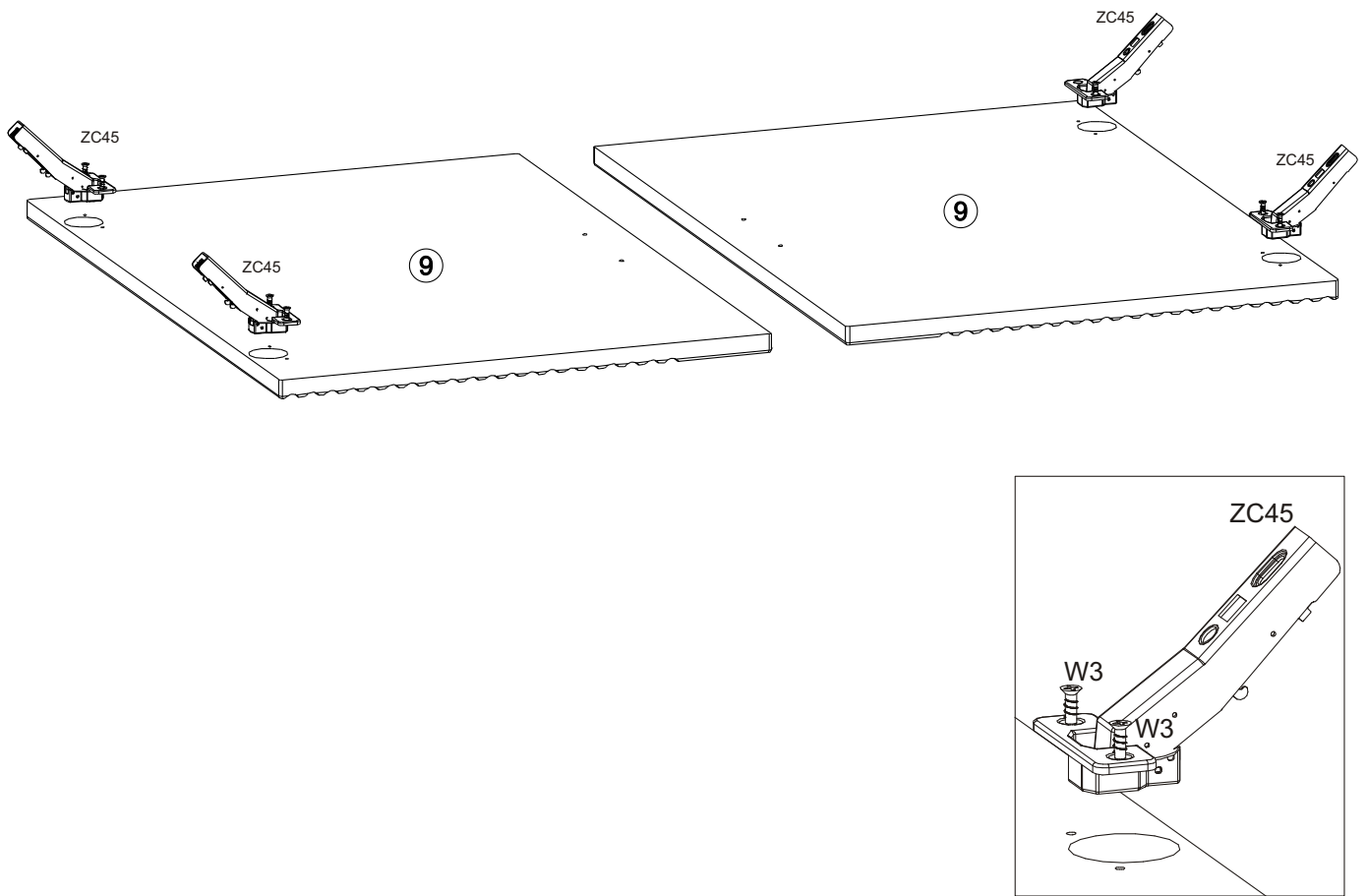
12 ▶



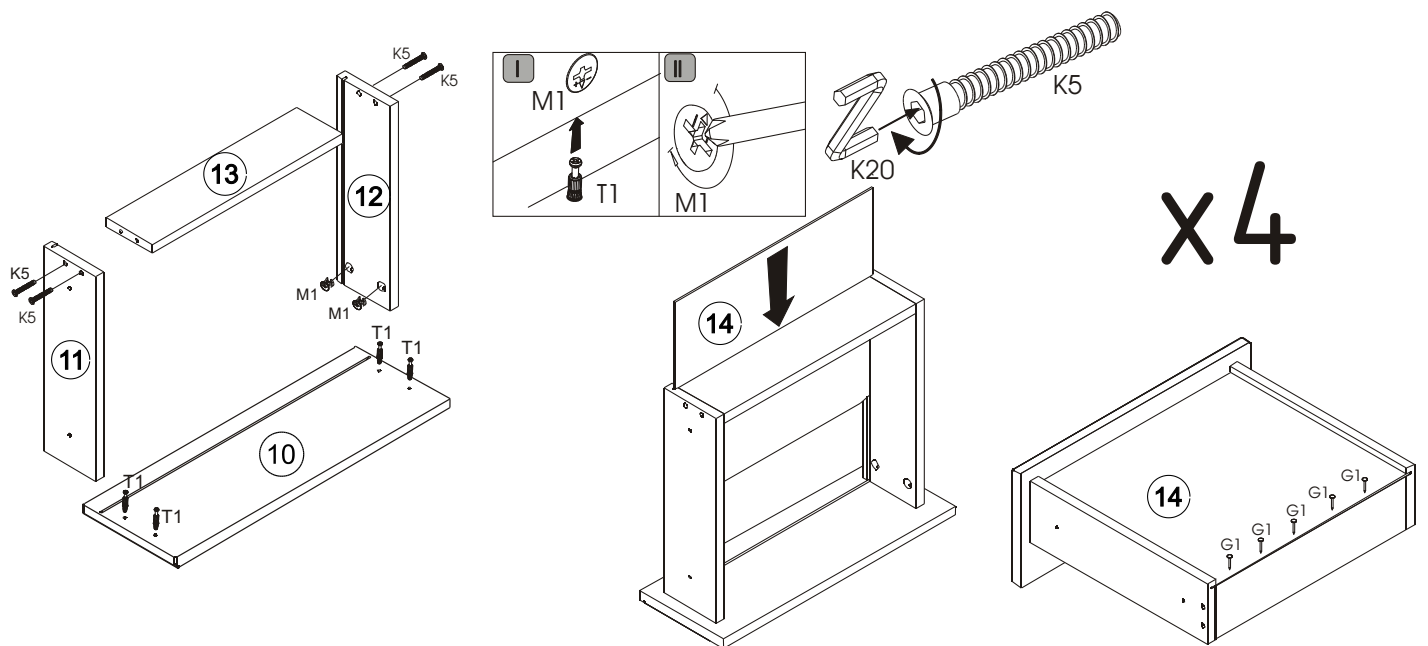
13 ▶



16▶



17▶



18 ▶

