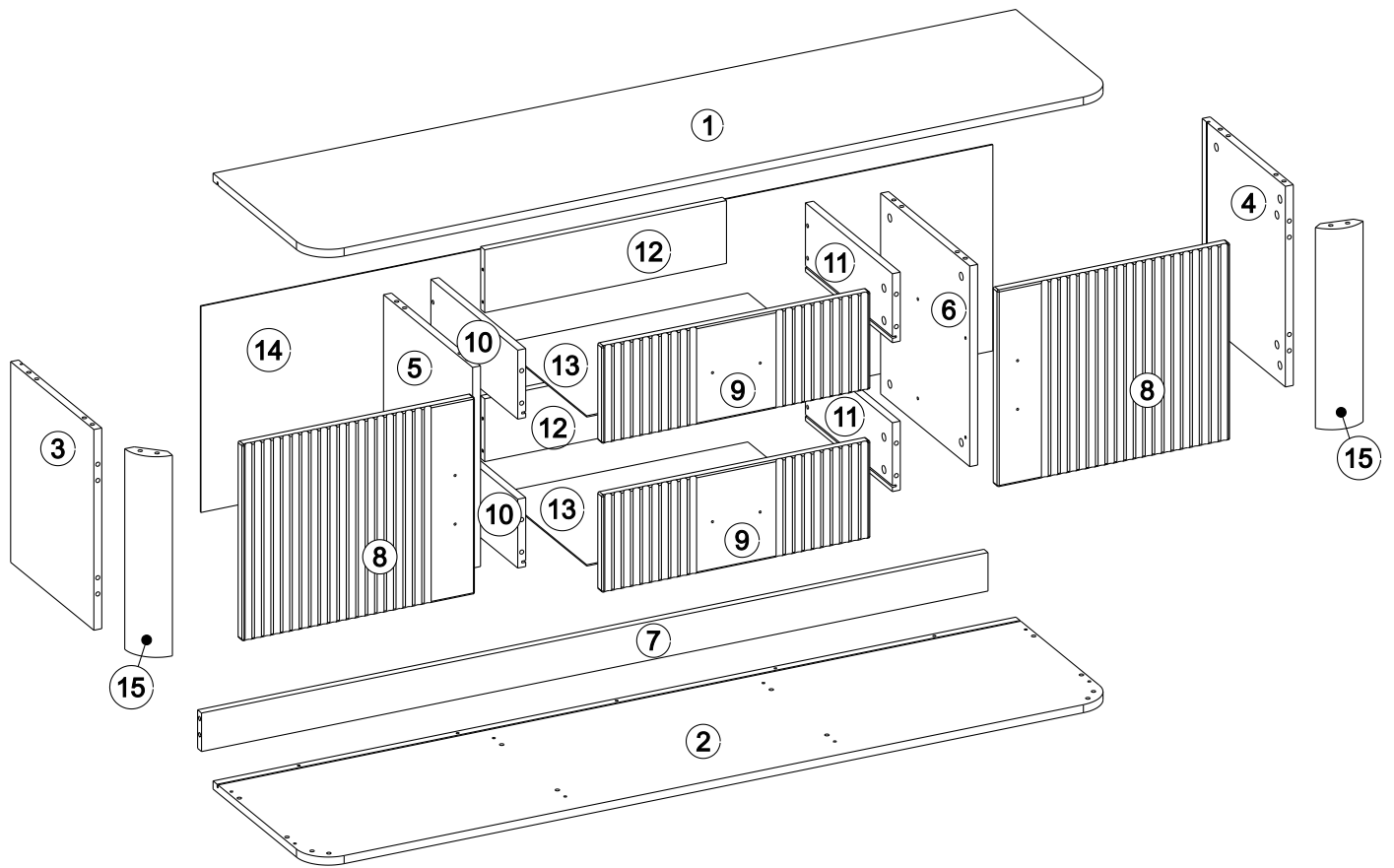
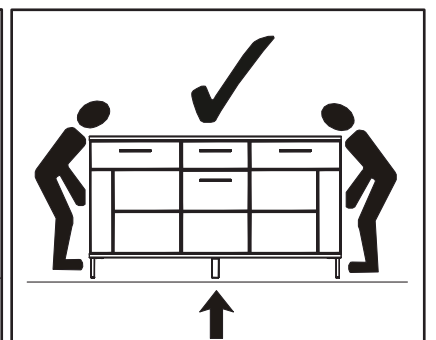
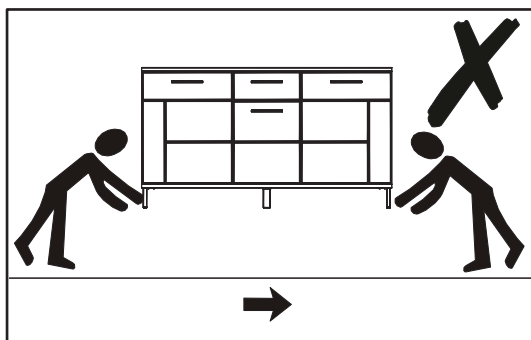
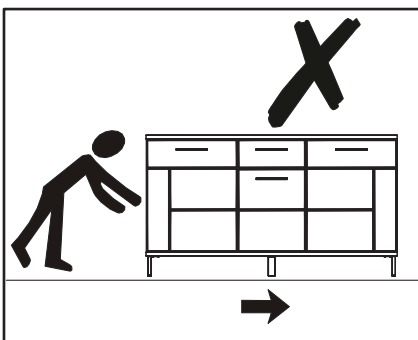
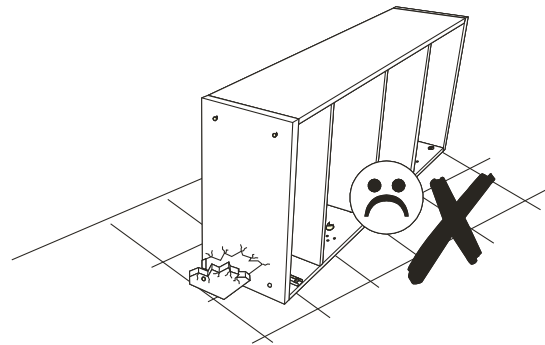
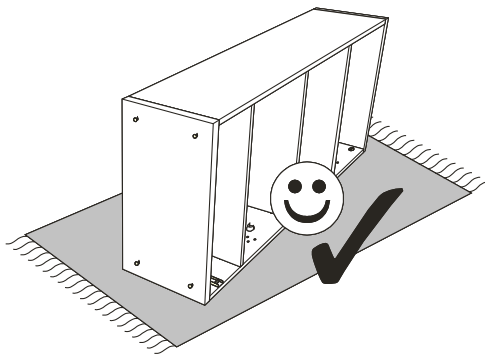
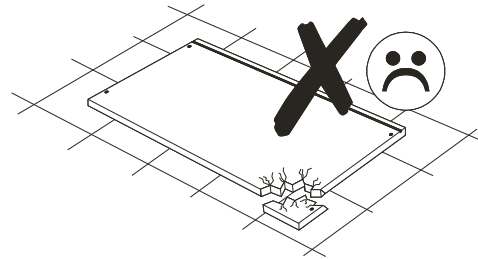
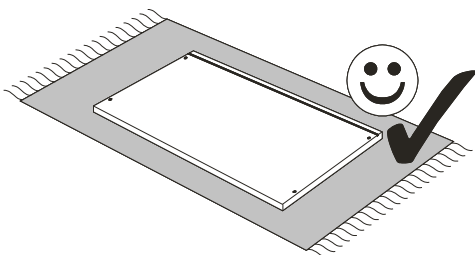
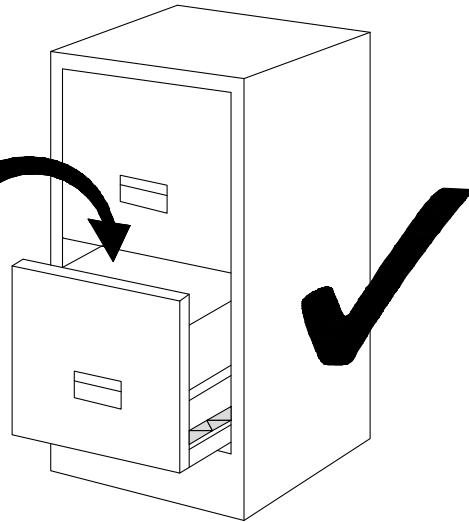
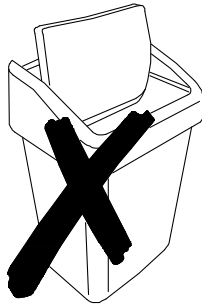
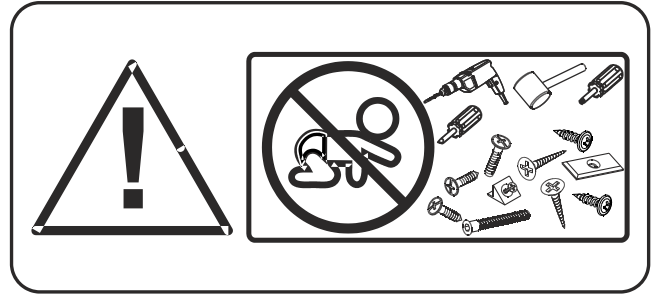
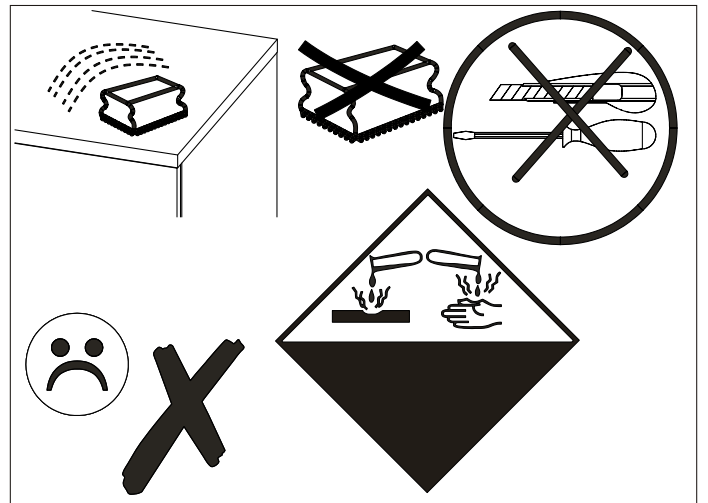
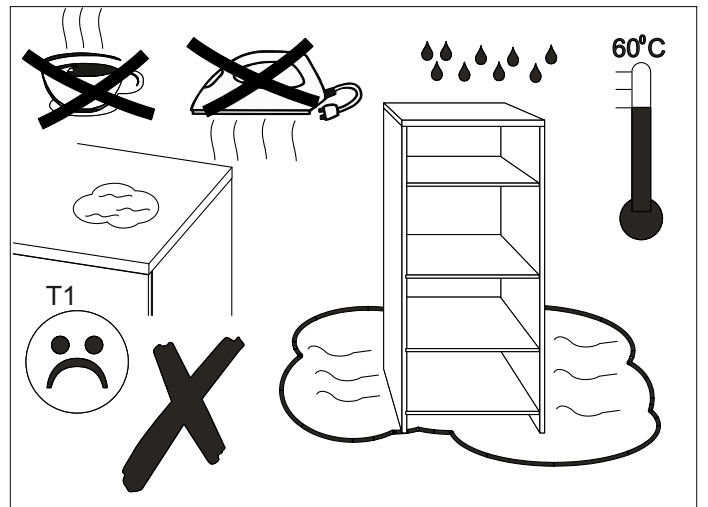
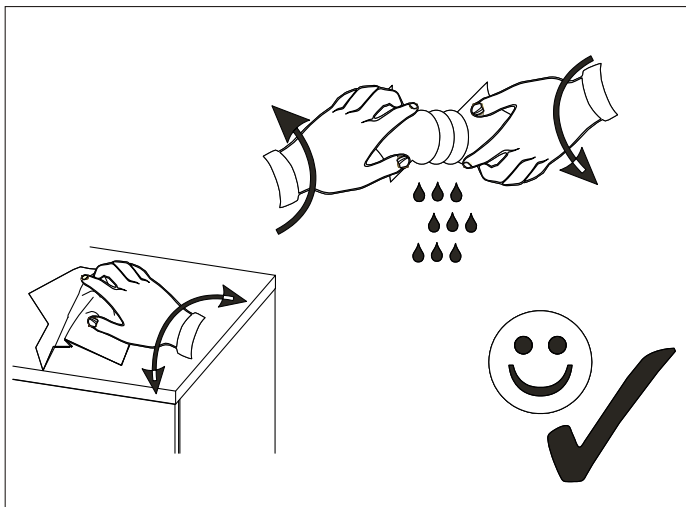
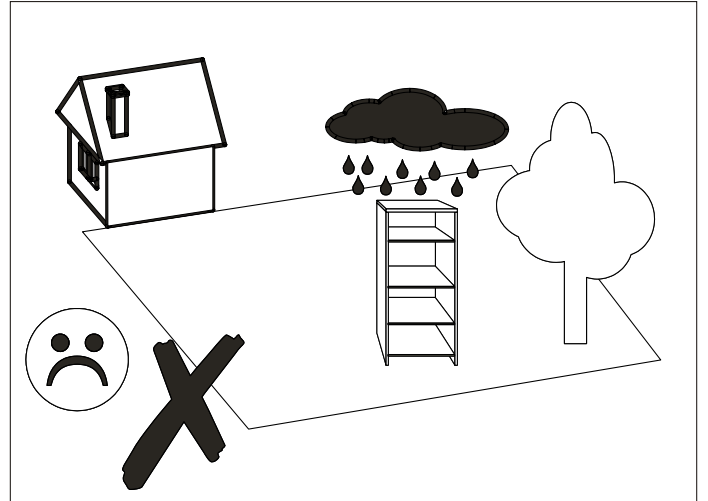
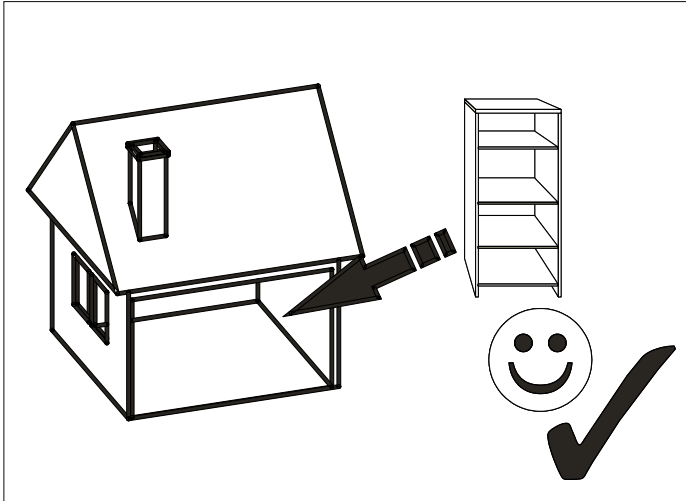


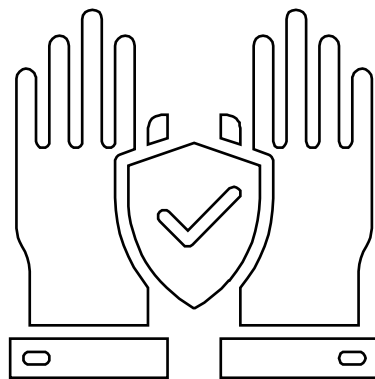
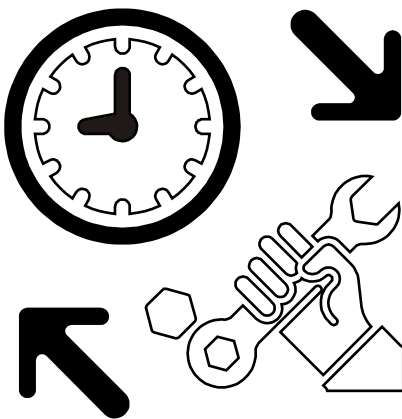
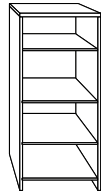
4x ZC45	8x 3.5x13 W3	1x N2	8x M4x24 S4					
20x #20/863 ZN1	4x 3x16 W6	7x ST1	2x #350L PK3	2x #350P PK3	6x 3x20 W9	4x N1		
8x 6.4x50 K5	28x 8x30 K1	4x U1	1x K20	37x #15/15 M1	37x DU232T T1	20x 4.5x16 W7	18x 2x20 G1	8x 6x12 E1



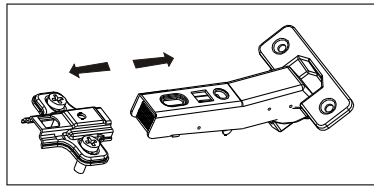
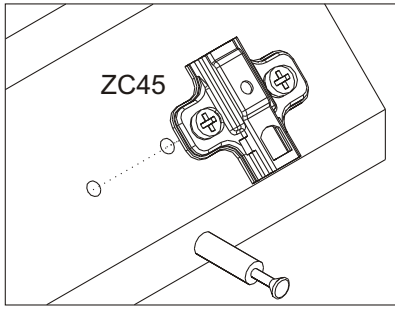
8	388x468	3/5			
7	1584x76	1/5	15	396x90.5	2/5
6	396x359	2/5	14	1595x407	1/5
5	396x359	2/5	13	355x502	1/5
4	396x335.5	2/5	12	487x124	1/5
3	396x335.5	2/5	11	350x136	1/5
2	1617x400	1/5	10	350x136	1/5
1	1617x400	1/5	9	540x192	3/5



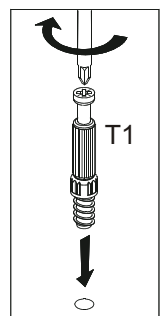
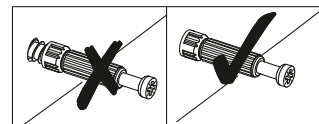
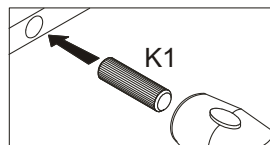
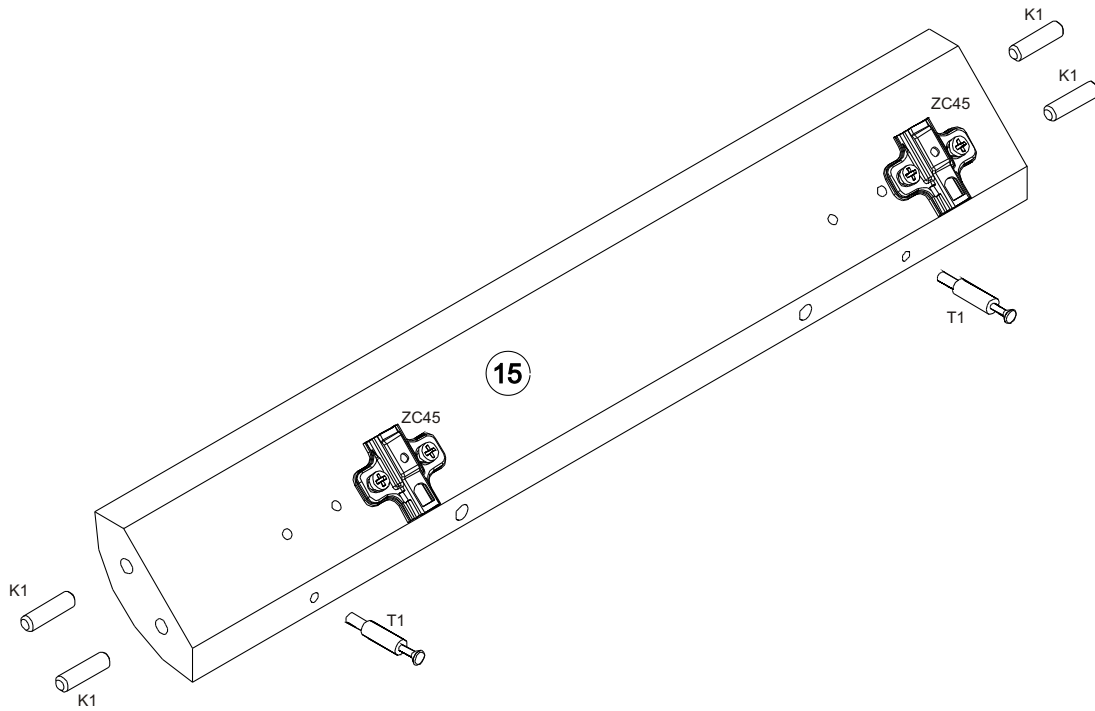




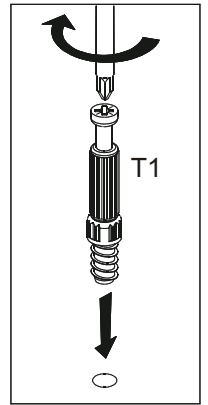
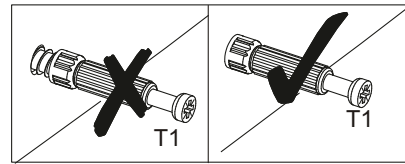
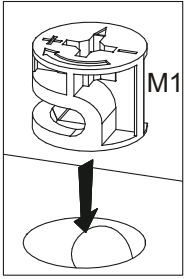
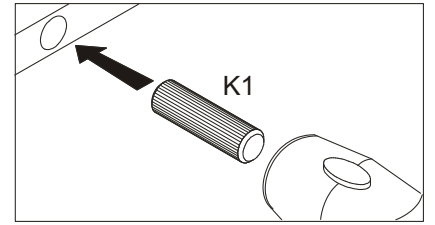
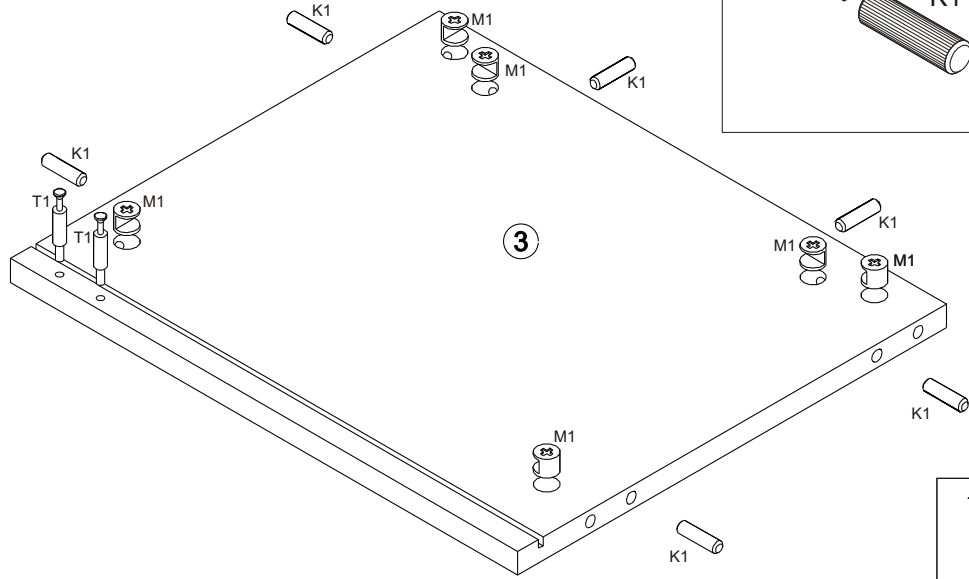
1 ▶



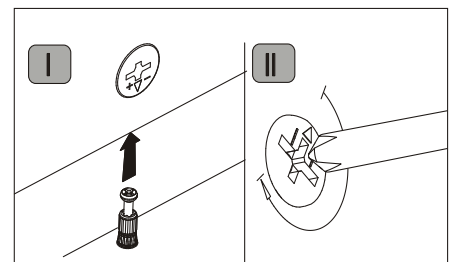
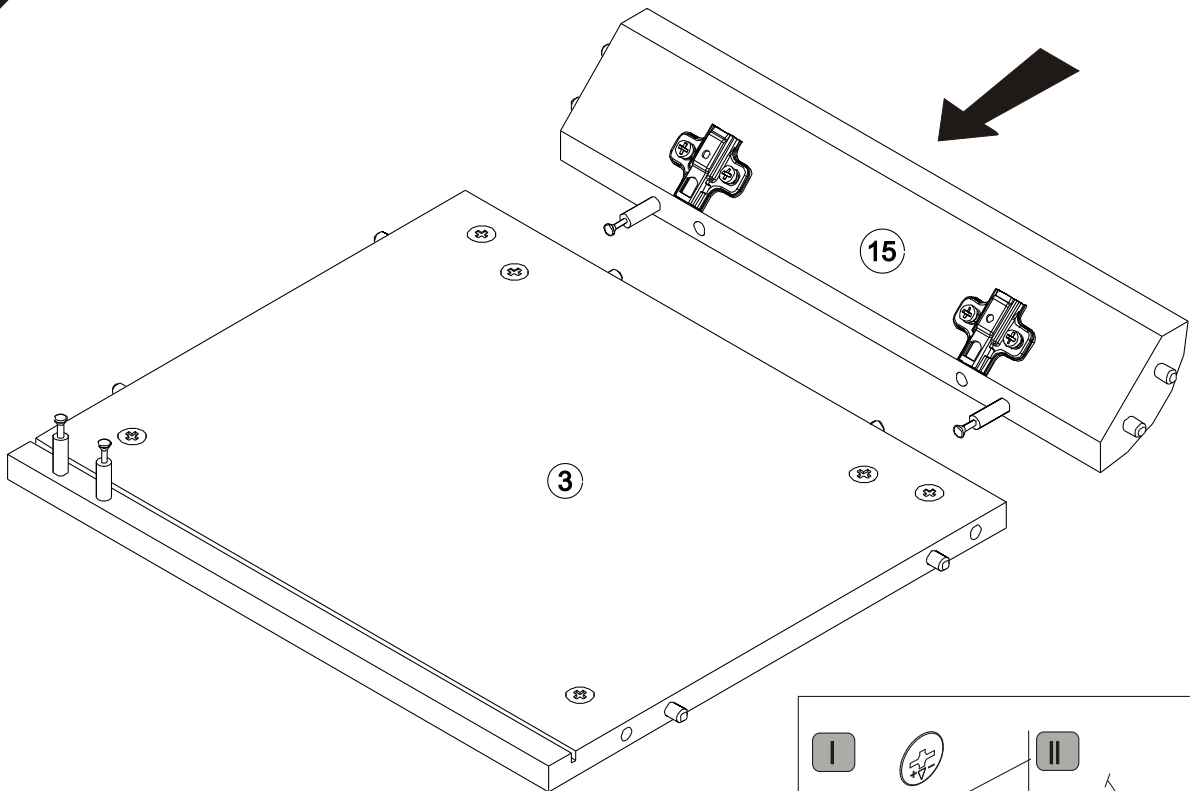
x2



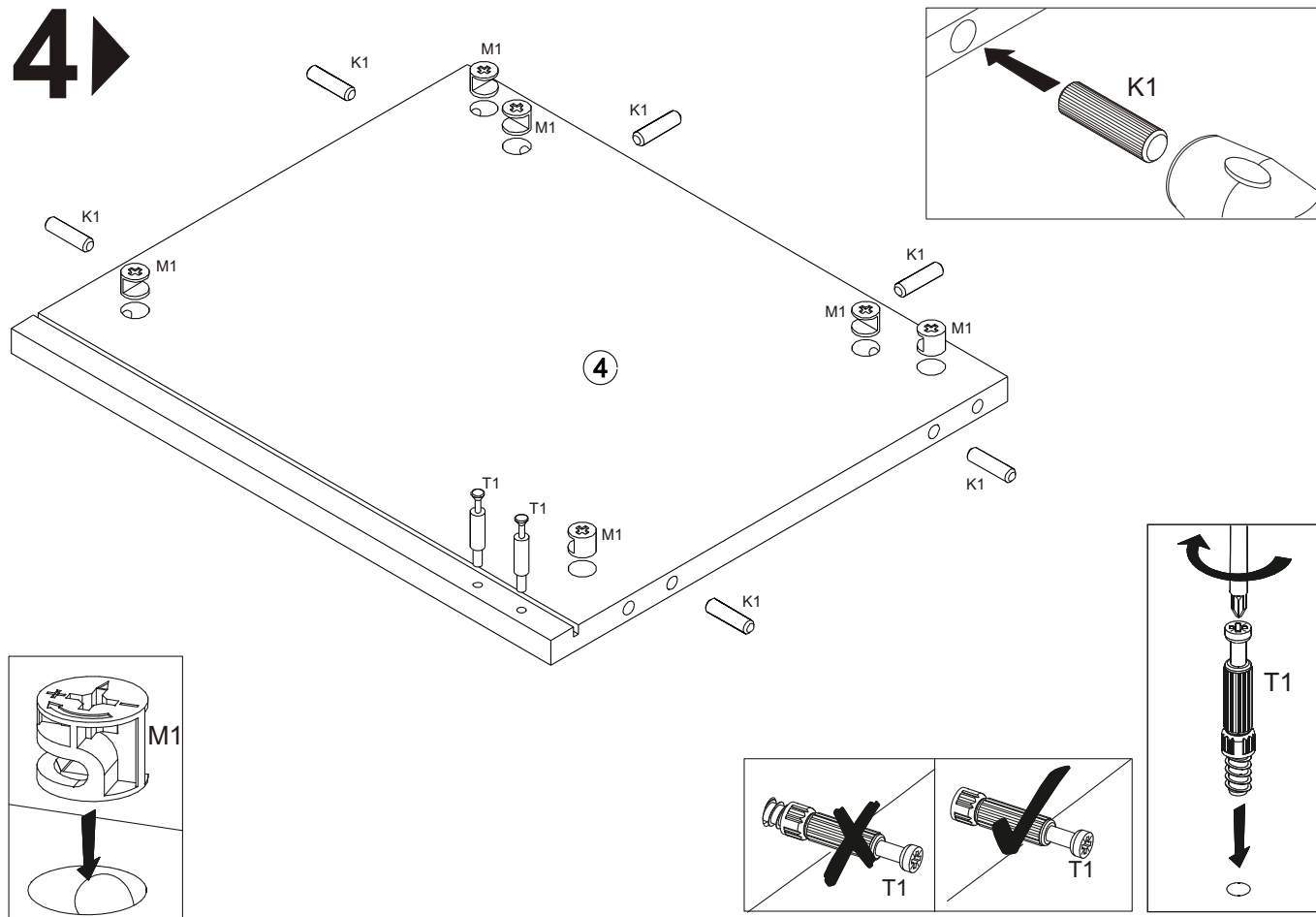
2 ▶



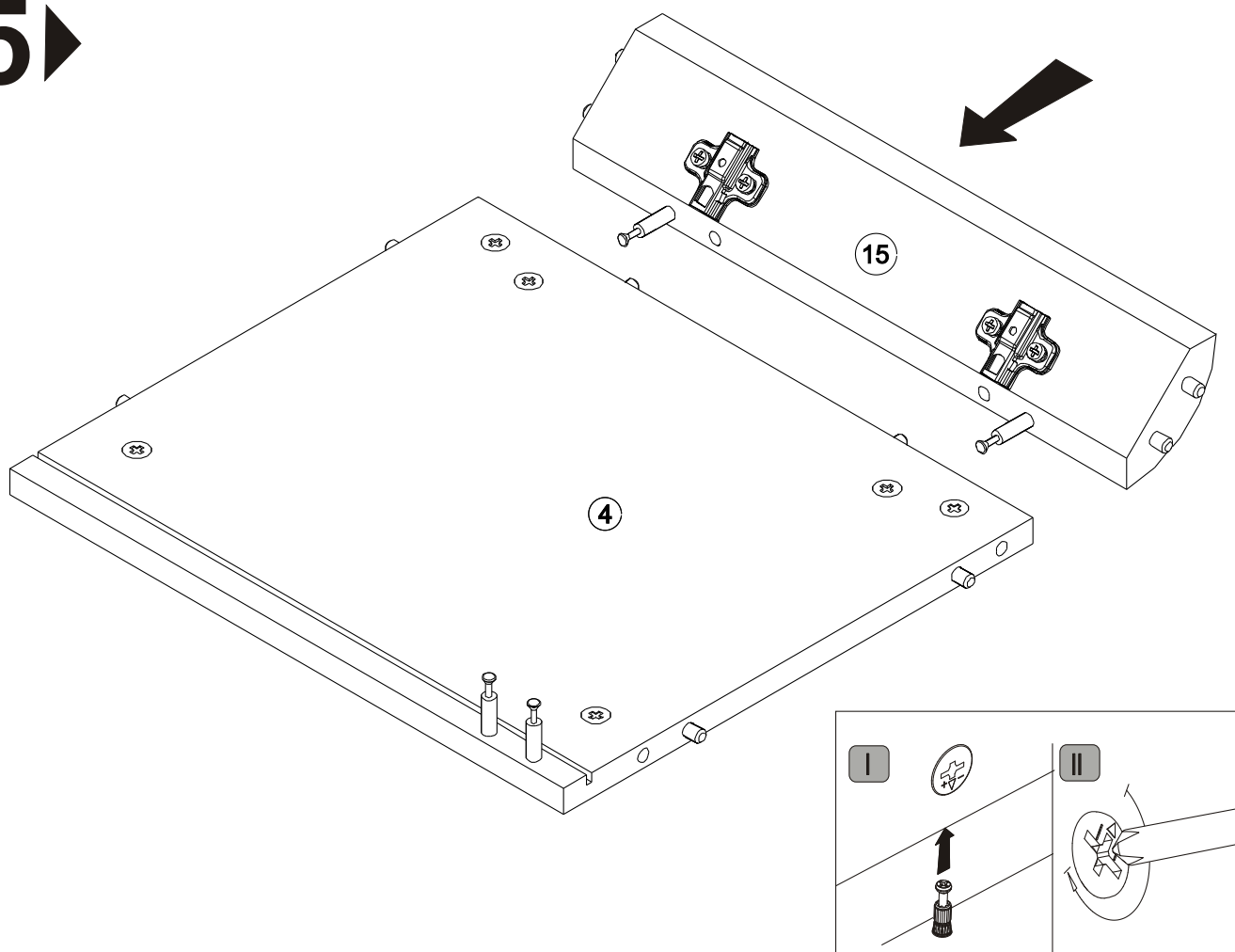
3 ▶



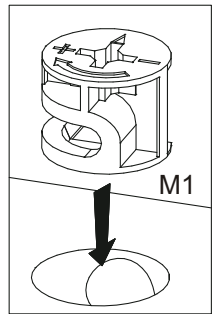
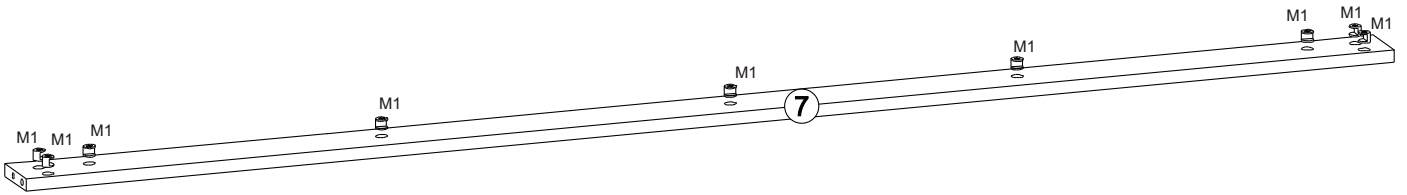
4



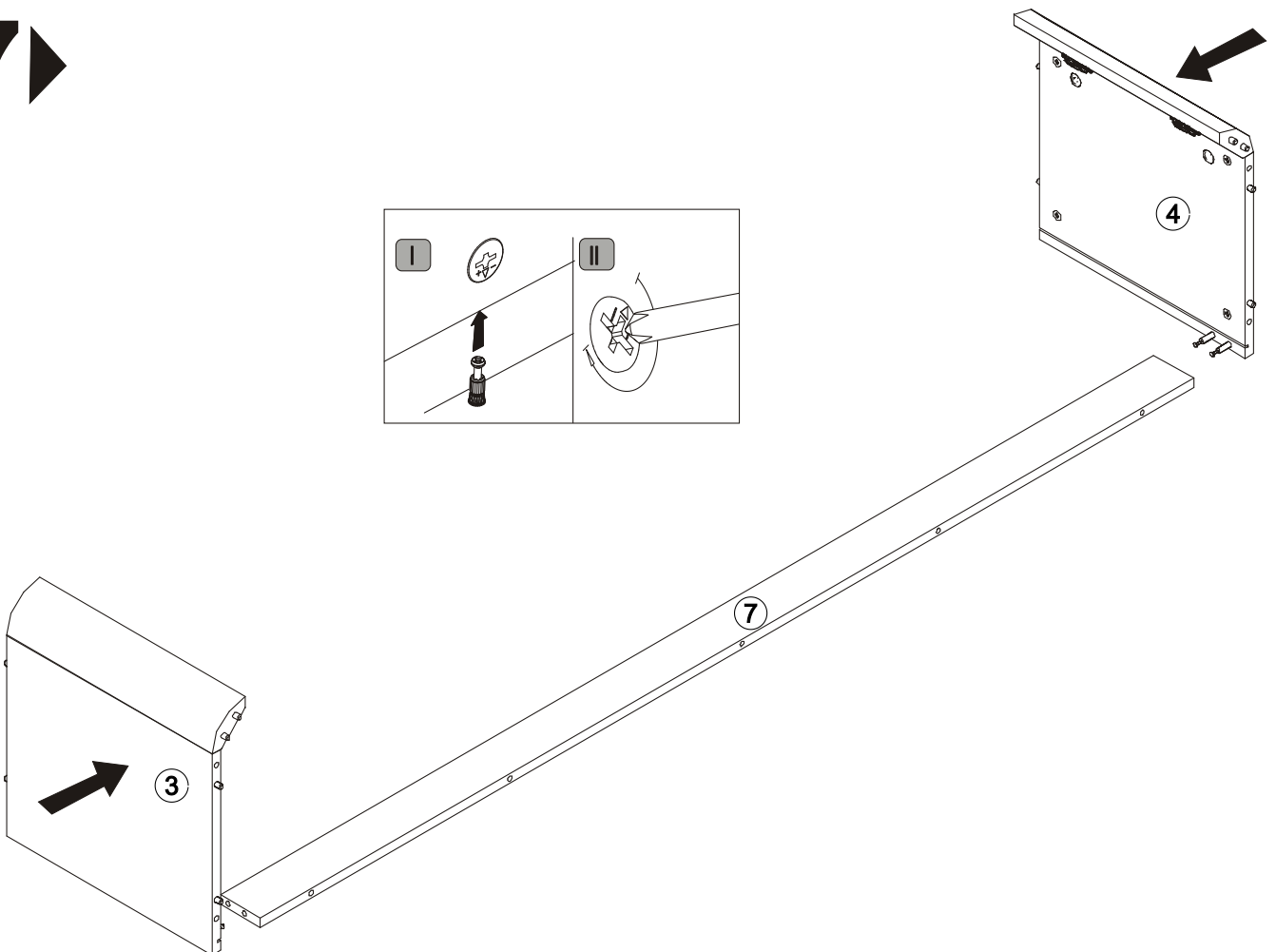
5



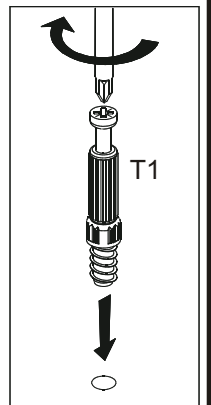
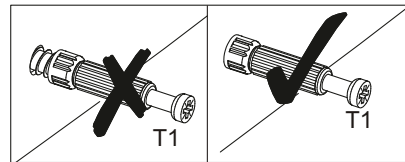
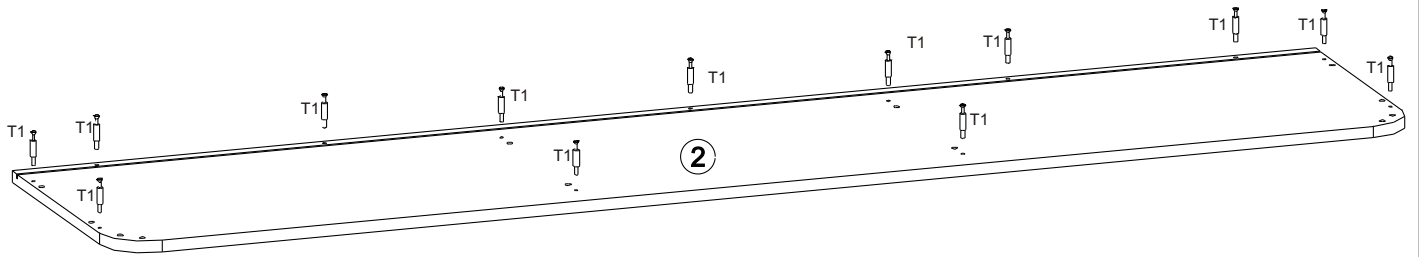
6▶



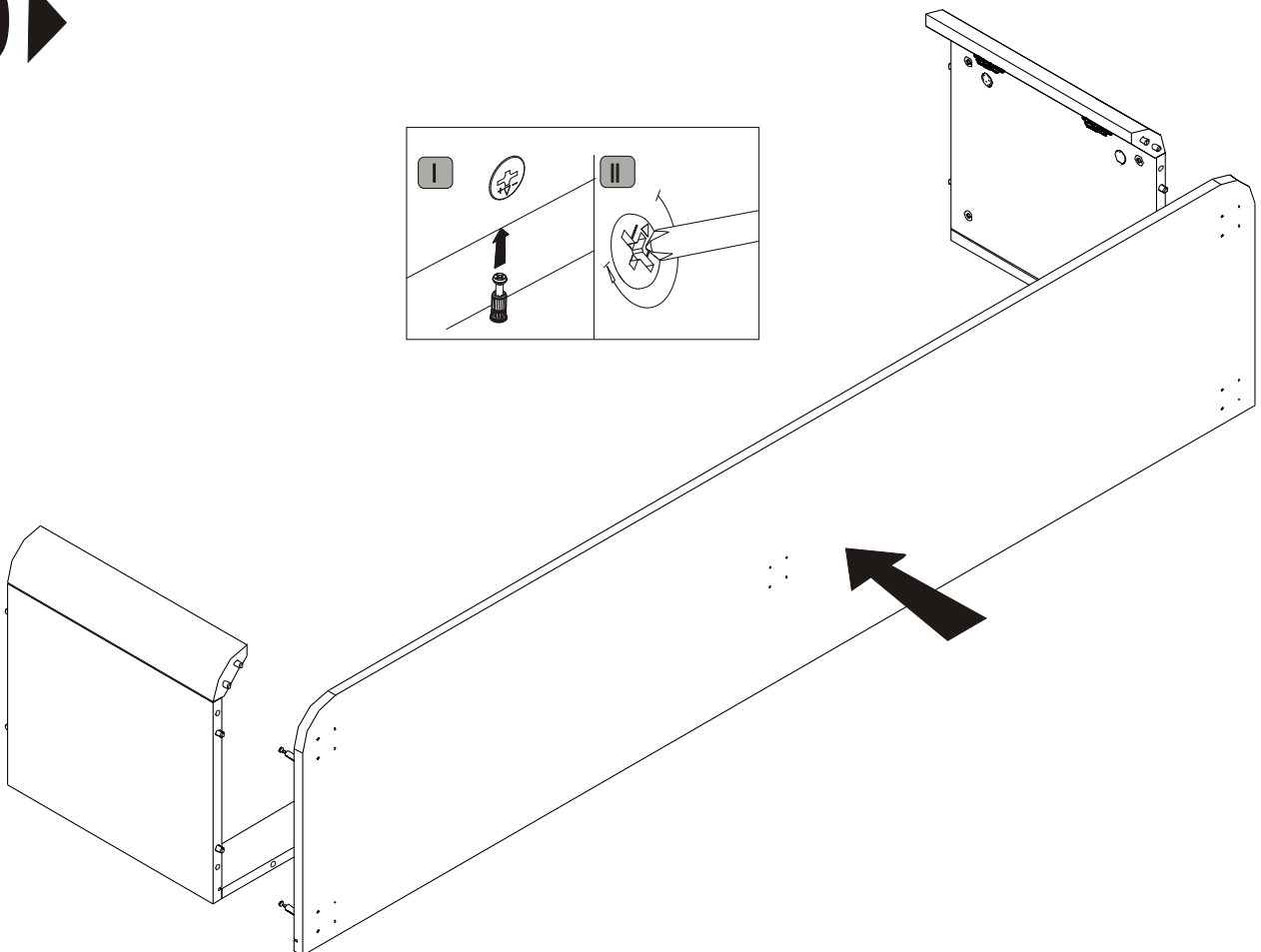
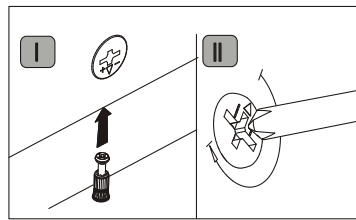
7▶



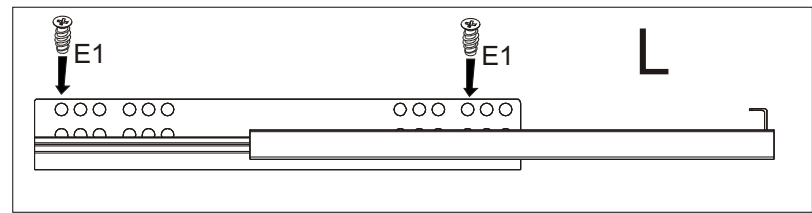
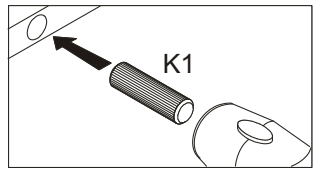
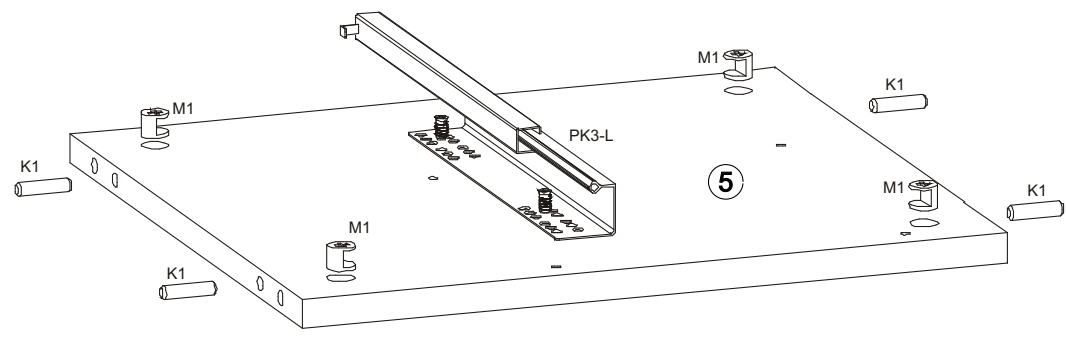
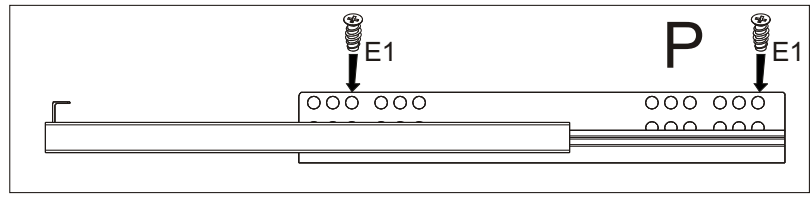
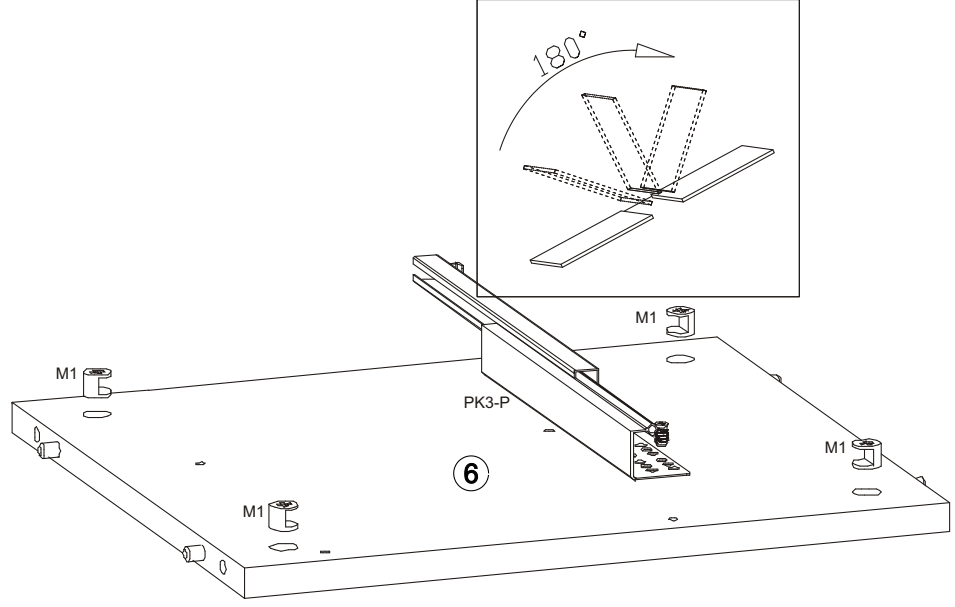
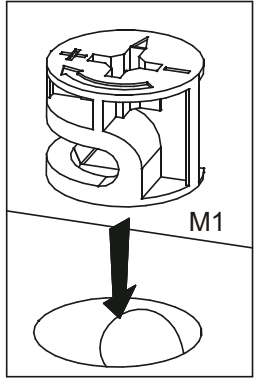
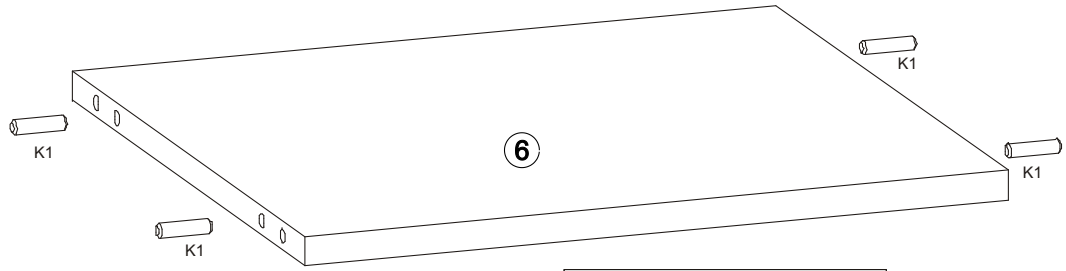
8 ▶



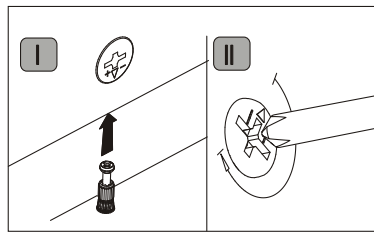
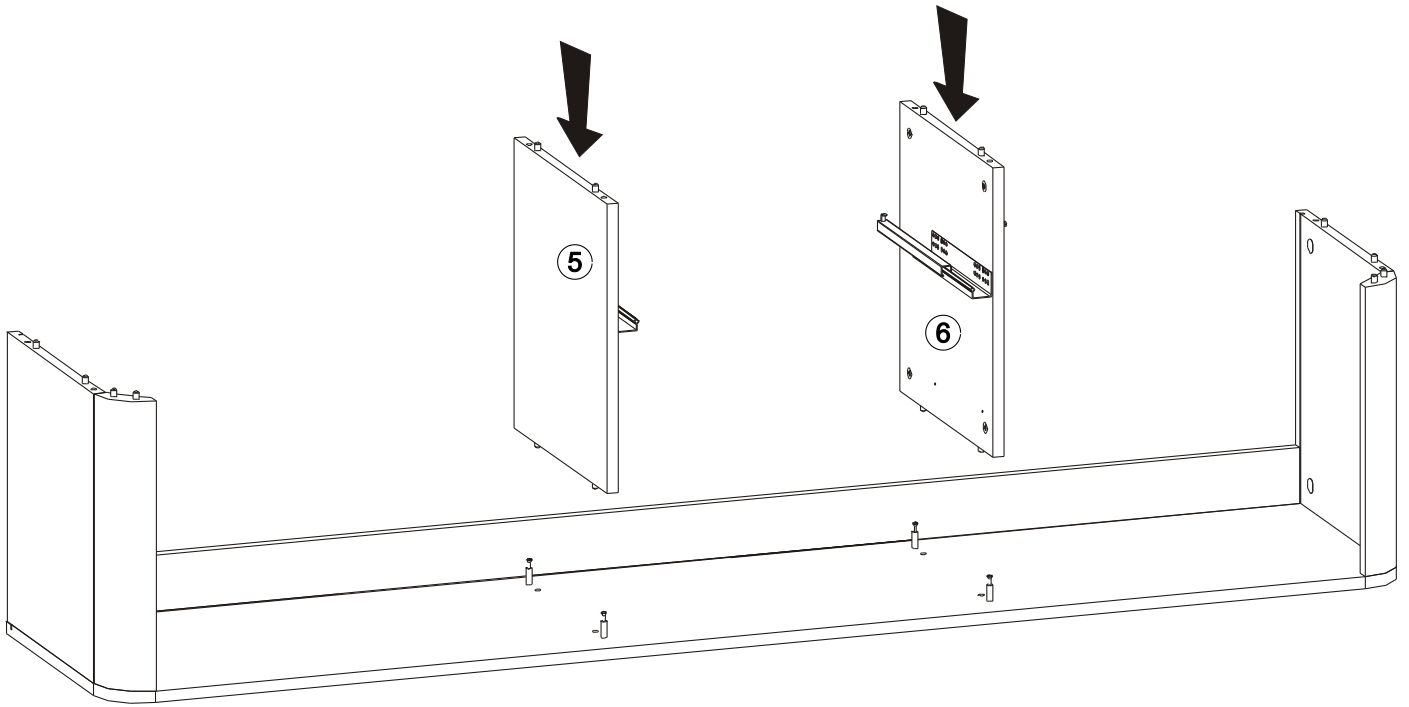
9 ▶



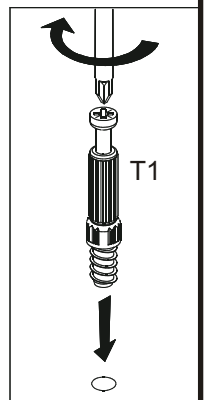
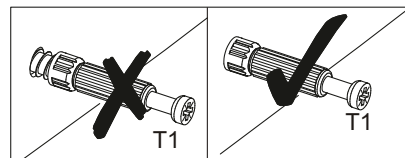
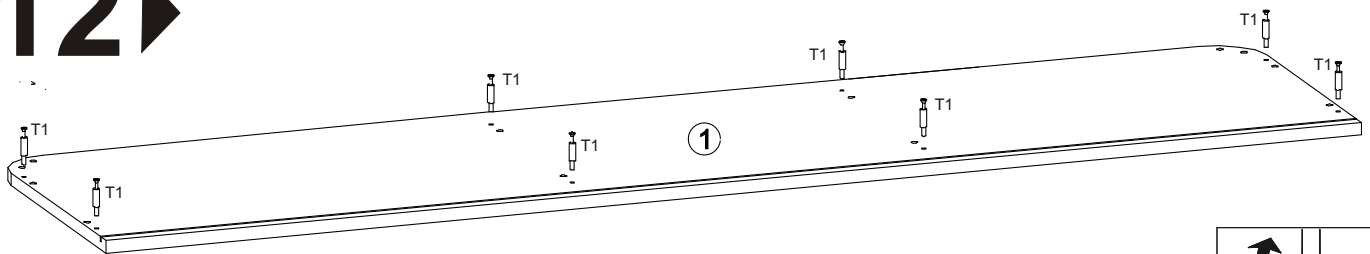
10 ▶



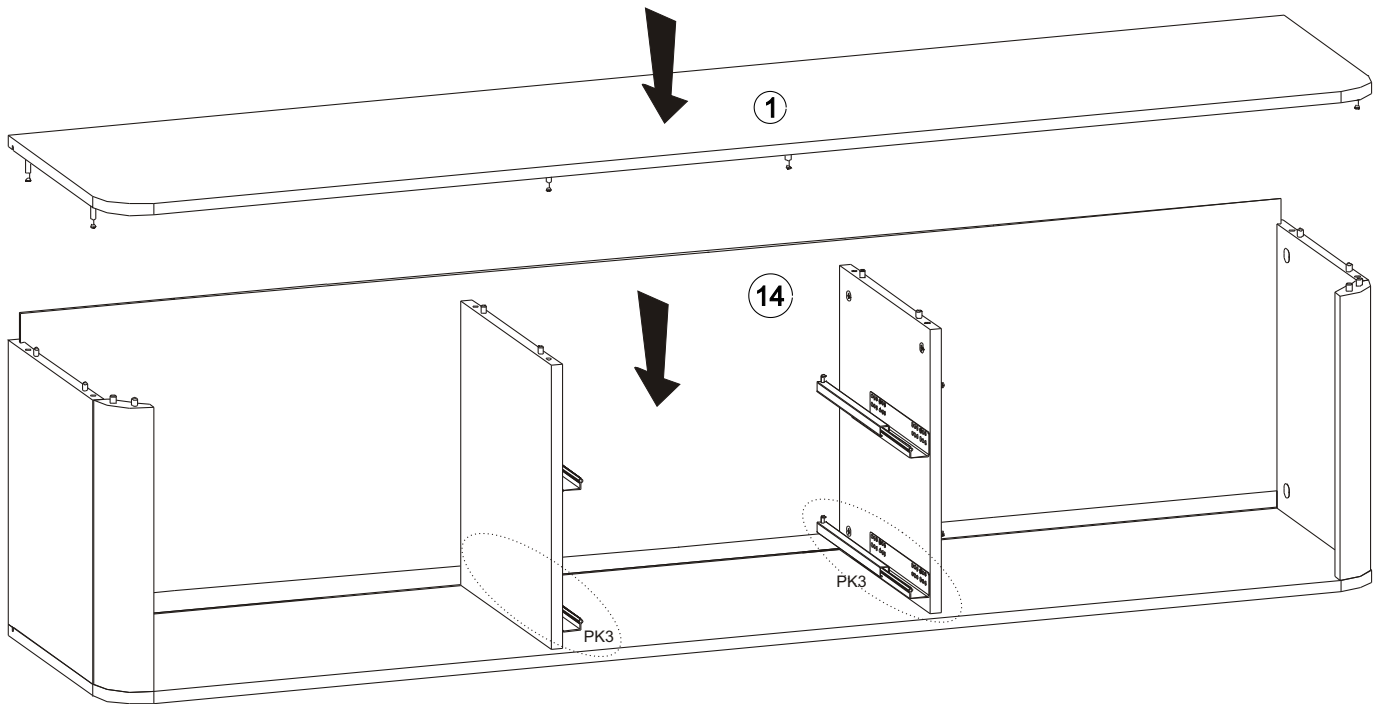
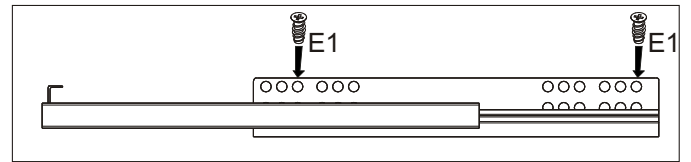
11▶



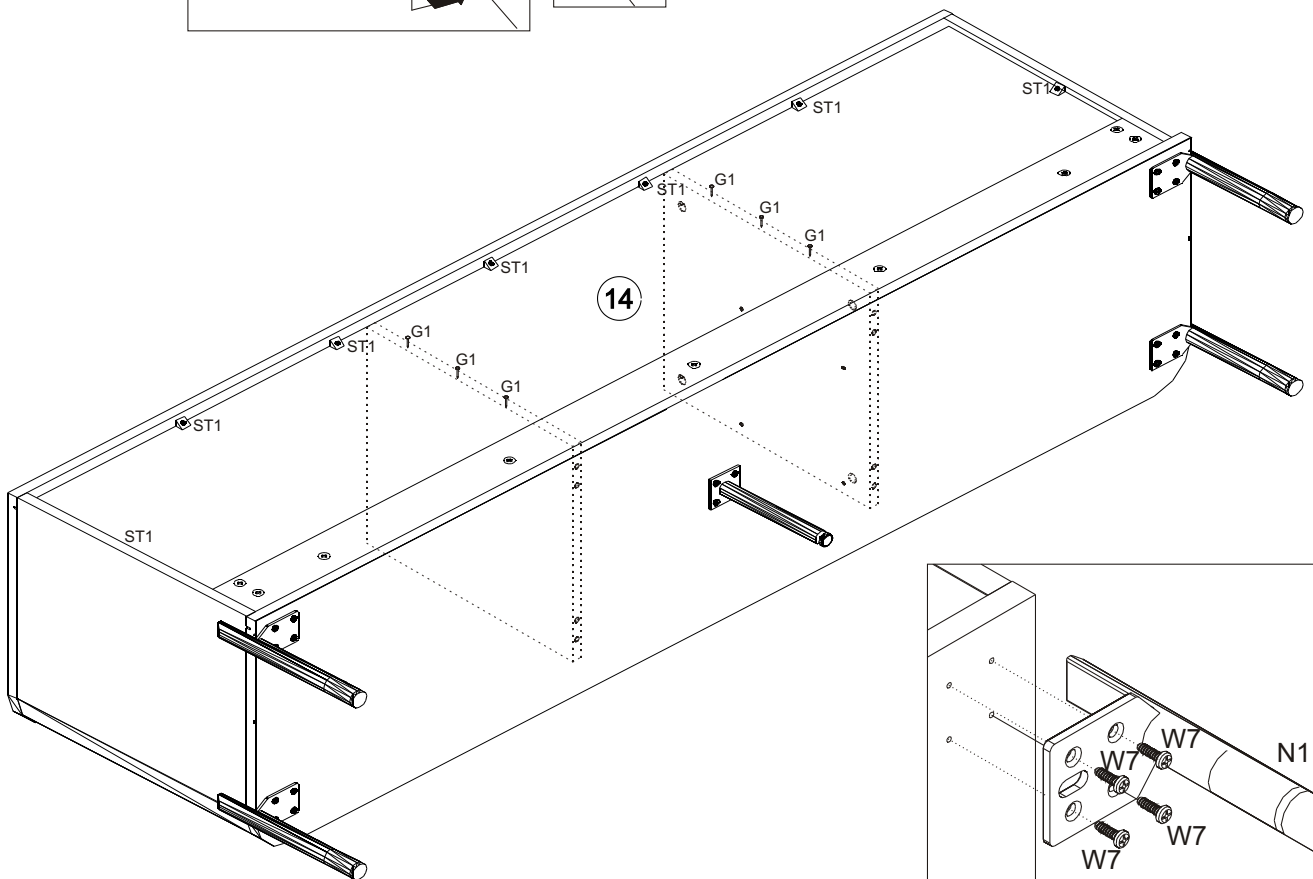
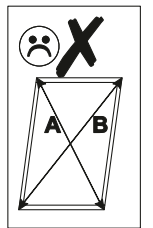
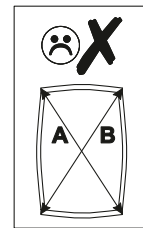
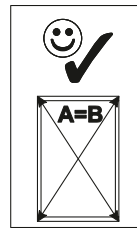
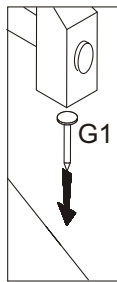
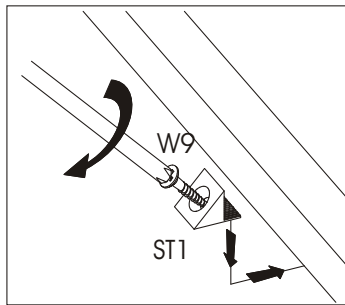
12▶



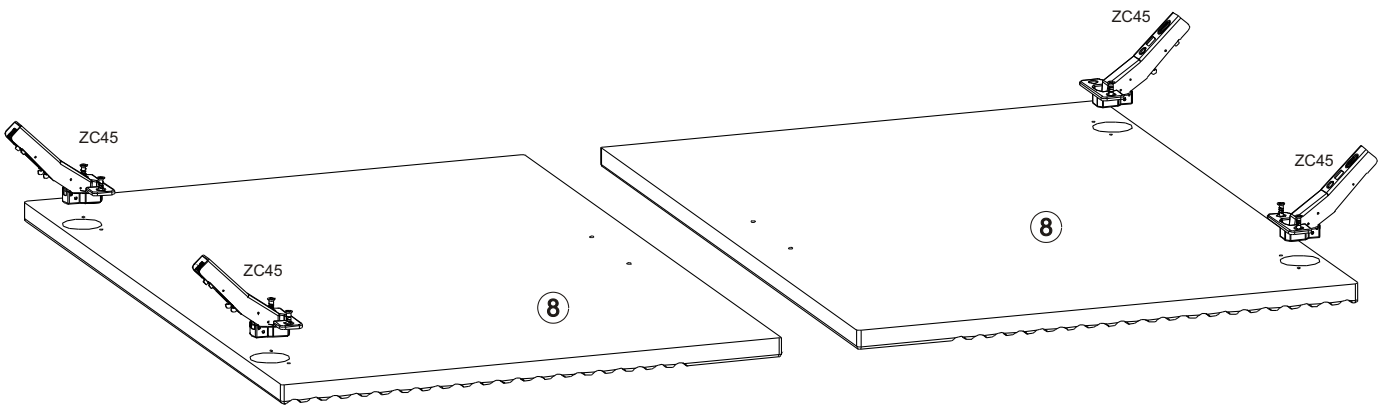
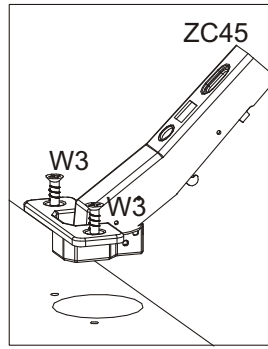
13▶



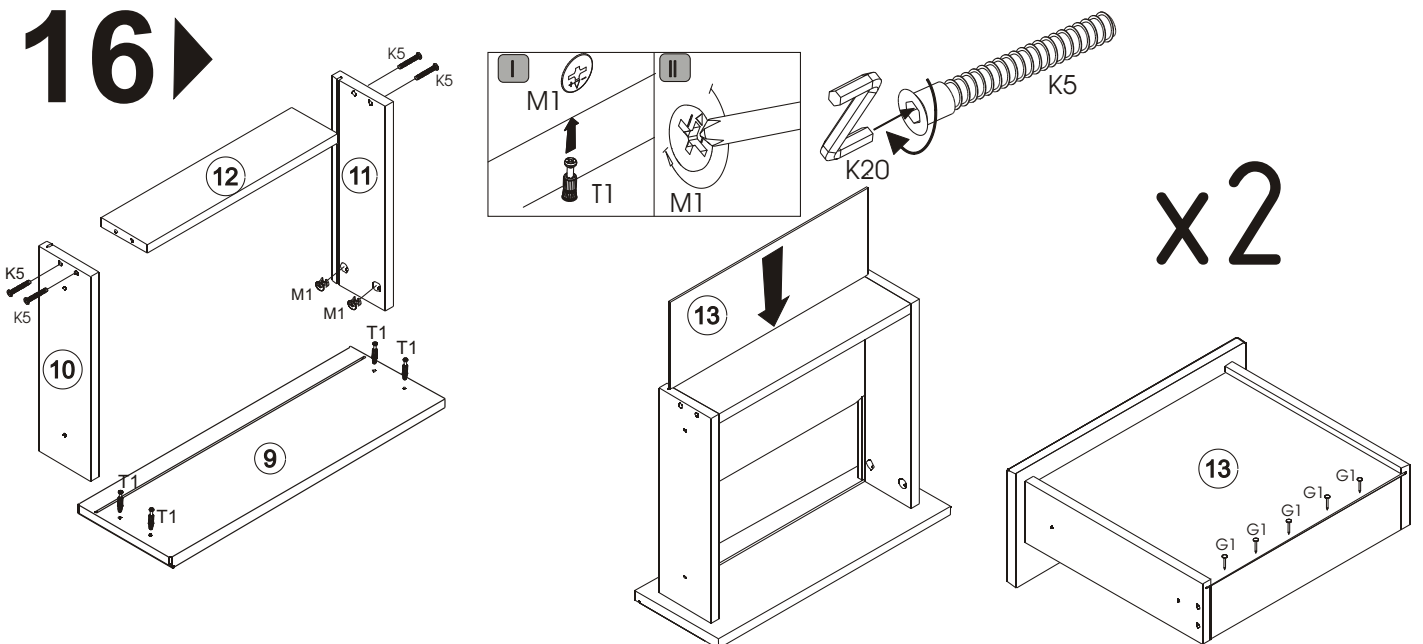
14▶



15 ▶



16 ▶



17

